

Excellent Integrated System Limited

Stocking Distributor

Click to view price, real time Inventory, Delivery & Lifecycle Information:

[Molex Connector Corporation](#)
[0357270201](#)

For any questions, you can email us directly:

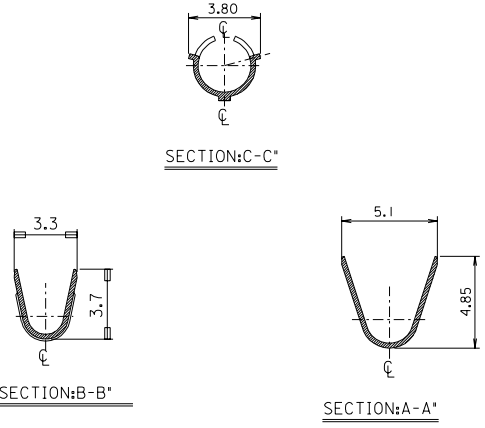
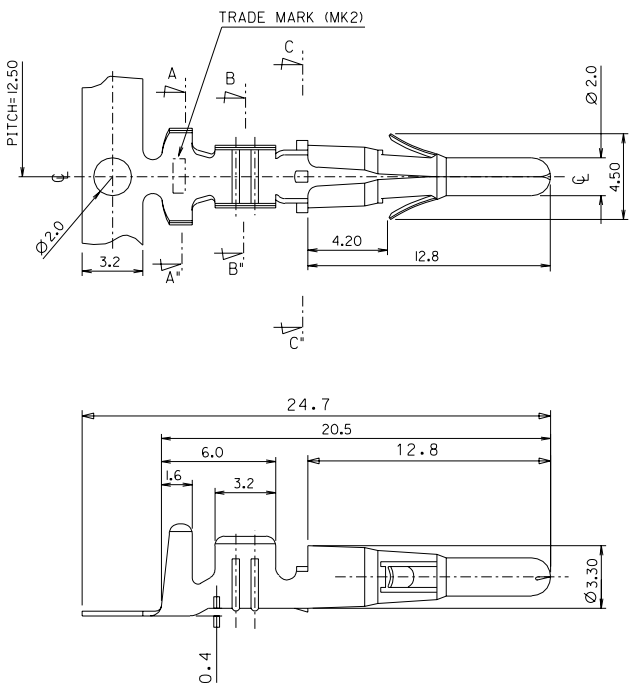
sales@integrated-circuit.com

DO NOT SCALE DRAWING DIMENSION IN METRIC

PROJECT NO. SD-35727-001

SIMILAR ITEM

DWG. NO. SD-35727-001



- NOTES**
1. MATERIAL: BRASS THICKNESS:0.25
 2. FINISH: PRE-TIN PLATING
 3. APPLICABLE HOUSING: Ø2.0 RECEPTACLE HOUSING (35141-••01, 35142-••01) • MEANS CIRCUIT NO.
 4. MATING TERMINAL: Ø2.0 SOCKET TERMINAL 35728-0201
 5. APPLICABLE WIRE RANGE: AWG #20-#14, 1.9-3.4mm INSUL.DIA.

MATERIAL NO.	ENG. NO.
357270201	35727-0201

REVISED EC NO. KOR 1999-0120 DRAWN H.C.RHO 99/12/29 CHK: CJK APPR:	QUALITY SYMBOLS MAJOR = 3 CRITICAL = 1	GENERAL TOLERANCES (UNLESS SPECIFIED)	SCALE 5:1	DESIGN UNITS <input checked="" type="checkbox"/> mm <input type="checkbox"/> INCH	THIRD ANGLE PROJECTION <input checked="" type="checkbox"/> <input type="checkbox"/>	DIMENSIONS: <input type="checkbox"/> mm <input type="checkbox"/> INCH <input checked="" type="checkbox"/> mm ONLY	SHT	REV																
		<table border="1"> <tr> <th></th> <th>mm</th> <th>INCH</th> </tr> <tr> <td>4 PLACES</td> <td>±0.</td> <td>±.</td> </tr> <tr> <td>3 PLACES</td> <td>±0.</td> <td>±.</td> </tr> <tr> <td>2 PLACES</td> <td>±0.25</td> <td>±.</td> </tr> <tr> <td>1 PLACE</td> <td>±0.25</td> <td>±.</td> </tr> </table>		mm	INCH	4 PLACES	±0.	±.	3 PLACES	±0.	±.	2 PLACES	±0.25	±.	1 PLACE	±0.25	±.	DRAWN BY & DATE W.Y.YANG 92/03/04	TITLE: 2.0 DIA PIN TERMINAL					
			mm	INCH																				
		4 PLACES	±0.	±.																				
3 PLACES	±0.	±.																						
2 PLACES	±0.25	±.																						
1 PLACE	±0.25	±.																						
ANGULAR: ± 3°	CHECKED BY & DATE B.K.CHOI 92/03/04	MOLEX INCORPORATED KOREA																						
DRAFT WHERE APPLICABLE MUST REMAIN WITHIN DIMENSIONS	APPROVED BY & DATE C.W.LEE 92/03/04	CAD FILENAME E7270201.DGN	MATERIAL NO. SEE CHART	DRAWING NO. SD-35727-001	SHEET NO. 1 OF 1																			

THIS DRAWING CONTAINS INFORMATION THAT IS PROPRIETARY TO MOLEX INCORPORATED AND SHOULD NOT BE USED WITHOUT WRITTEN PERMISSION.