

Excellent Integrated System Limited

Stocking Distributor

Click to view price, real time Inventory, Delivery & Lifecycle Information:

[CUI Inc.](#)
[CS-3606](#)

For any questions, you can email us directly:
sales@integrated-circuit.com



PART NUMBER: CS-3606

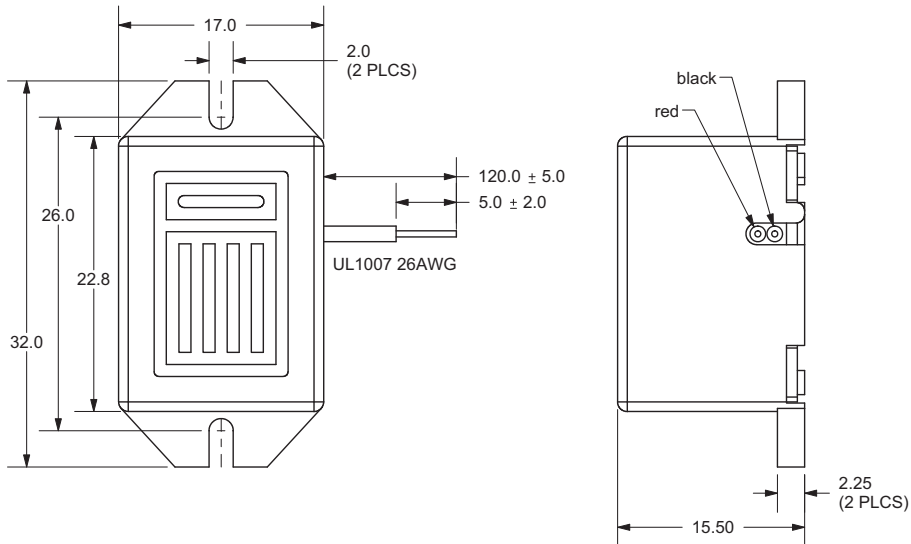
DESCRIPTION: solid state buzzer

SPECIFICATONS

operating voltage	4 ~ 8 V DC	
current consumption	45 mA max.	at 6 V DC
sound pressure level	75 db min.	at 30 cm/6 V DC
tone	continuous	
operating temperature	-20 ~ +60° C	
storage temperature	-30 ~ +70° C	
weight	9.7 g max.	
RoHS	yes	

APPEARANCE DRAWING

tolerance: ±0.5
 units: mm



CURRENT CONSUMPTION/SOUND PRESSURE LEVEL

