

Excellent Integrated System Limited

Stocking Distributor

Click to view price, real time Inventory, Delivery & Lifecycle Information:

[CUI Inc.](#)
[CS-3224](#)

For any questions, you can email us directly:
sales@integrated-circuit.com

PART NUMBER: CS-3224

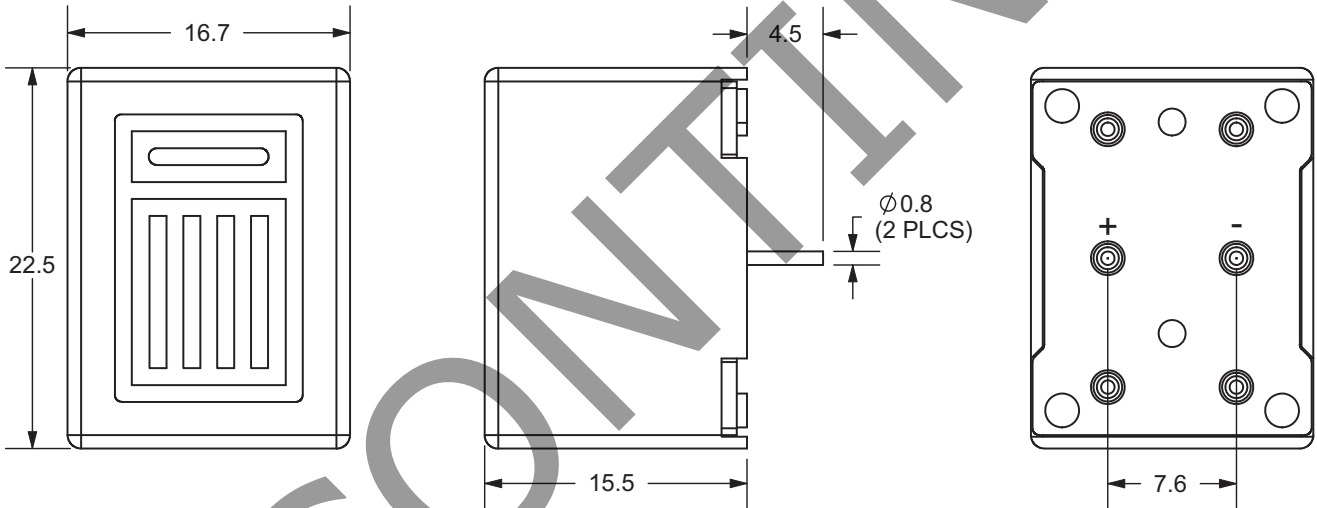
DESCRIPTION: solid state buzzer

SPECIFICATONS

operating voltage	20 ~ 28 V DC	
current consumption	20 mA max.	at 24 V DC
sound pressure level	76 db min.	at 30 cm/24 V DC
tone	continuous	
operating temperature	-20 ~ +60° C	
storage temperature	-30 ~ +70° C	
weight	8.5 g max.	
RoHS	yes	

APPEARANCE DRAWING

tolerance: ±0.5
 units: mm



CURRENT CONSUMPTION/SOUND PRESSURE LEVEL

Tolerance: ±0.5mm

