

Excellent Integrated System Limited

Stocking Distributor

Click to view price, real time Inventory, Delivery & Lifecycle Information:

[E-Switch](#)
[JS5208](#)

For any questions, you can email us directly:

sales@integrated-circuit.com

SERIES JS 5208 SWITCHES

NAVIGATION SWITCHES

TACT SWITCHES

NAVIGATION SWITCHES

PUSHBUTTON SWITCHES

TOGGLE SWITCHES

ROCKER SWITCHES

SLIDE SWITCHES

SNAP-ACTION SWITCHES

DIP SWITCHES

KEYLOCK SWITCHES

ROTARY SWITCHES

DETECTOR SWITCHES

CAP OPTIONS



SPECIFICATIONS

| | |
|---------------------|---|
| Contact Rating: | 20mA, 15VDC |
| Life Expectancy: | 100,000 Cycles |
| Contact Resistance: | 100m Ohms Max (initial) |
| Operating Force: | Tilt-280+/-100 grams Push-500 +/-150 grams |
| Dielectric: | 250VAC |
| Operating Temp: | -20C to +70C |
| Travel: | Tilt 8 degrees, Push 1.0 +/-0.2mm's |

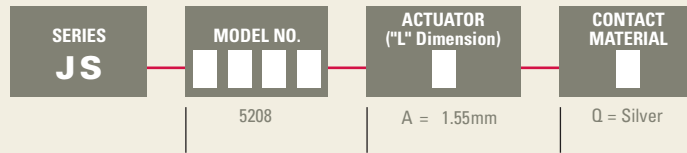
FEATURES & BENEFITS

- ▶ 5-position navigation
- ▶ Designed for SMT applications that require navigation

APPLICATIONS/MARKETS

- ▶ Consumer electronics where user interface is needed
- ▶ Handheld instrumentation
- ▶ Navigation
- ▶ Telecommunication

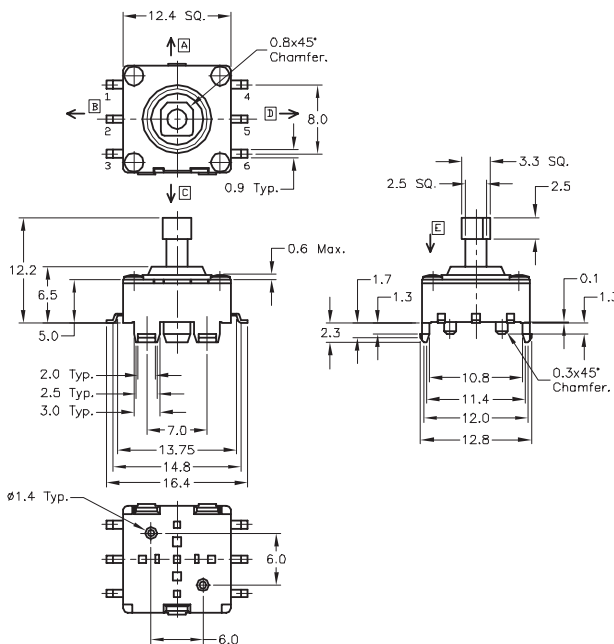
HOW TO ORDER



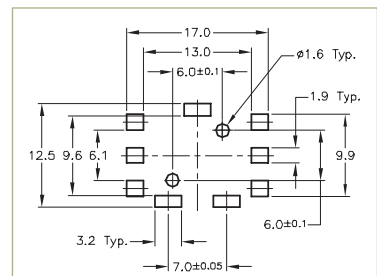
▶ ▶ ▶ Example Ordering Number
JS-5208-A-Q

Specifications subject to change without notice.

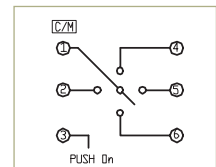
JS 5208



| Position | Connected Term. # |
|----------|-------------------|
| A | 1 - 4 |
| B | 1 - 2 |
| C | 1 - 6 |
| D | 1 - 5 |
| E (Push) | 1 - 3 |



P.C. MOUNTING



SCHEMATIC