

Excellent Integrated System Limited

Stocking Distributor

Click to view price, real time Inventory, Delivery & Lifecycle Information:

[PUI Audio, Inc.](#)
[AB4129B-D](#)

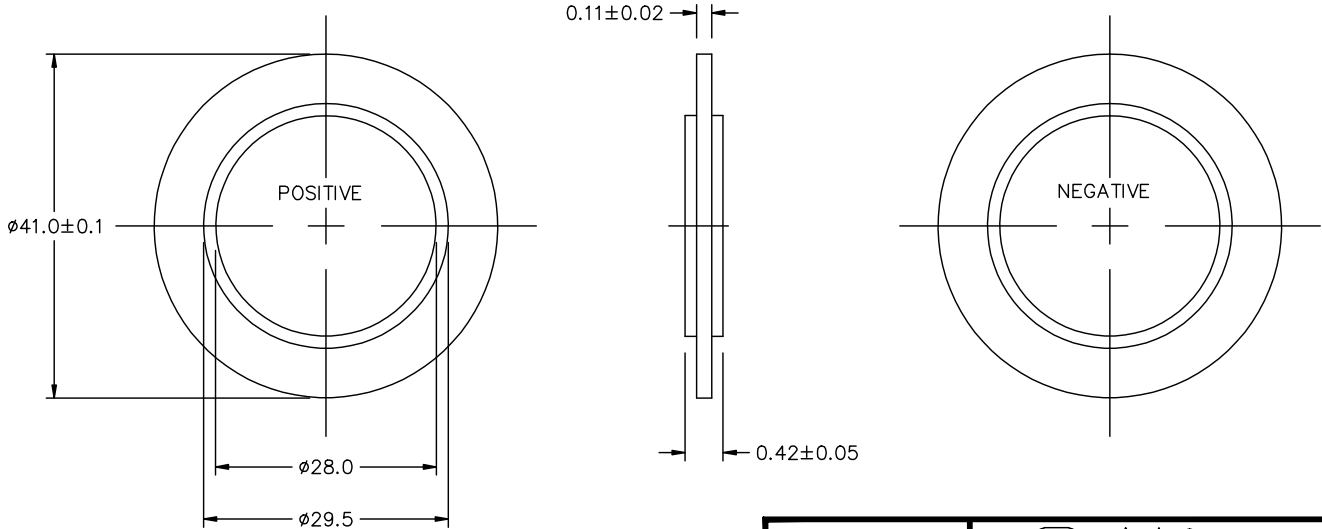
For any questions, you can email us directly:
sales@integrated-circuit.com

THIS DOCUMENT CONTAINS DATA PROPRIETARY TO PROJECTS UNLIMITED, INC. ANY USE OR REPRODUCTION, IN ANY FORM, WITHOUT PRIOR WRITTEN PERMISSION OF PROJECTS UNLIMITED, INC. IS PROHIBITED.
©2003, Projects Unlimited Inc.

SPECIFICATIONS

PARAMETERS	VALUES	UNITS
RESONANT FREQUENCY	2,900±500	Hz
RESONANT IMPEDANCE (MAX)	2,000	Ohm
MAX INPUT VOLTAGE	20	Vp-p
CAPACITANCE @ 1KHz	200,000±30%	pF
PLATE MATERIAL	BRASS	-
OPERATING TEMPERATURE	-20 ~ +60	°C
STORAGE TEMPERATURE	-20 ~ +70	°C

REVISIONS			
LTR	DESCRIPTION	DATE	APPROVED
-	RELEASED FROM ENGINEERING	4/4/03	
A	RELEASED CAPACITANCE	4/25/03	S. J.
B	REVISED TO NEW TEMPLATE	9/4/03	R. W.
C	REVISED SPECIFICATIONS	1/16/04	R. W.
D	REVISED DIMENSION SIZE AND STYLE	01/27/06	B. R.
E	REVISED CAPACITANCE VALUE	11/30/07	R. W.



NOTES:

1. ALL DIMENSIONS ARE IN MILLIMETERS.
2. SPECIFICATION SUBJECT TO CHANGE OR WITHDRAWAL WITHOUT NOTICE.

FILE NAME
AB4129B-D.DWG

UNLESS OTHERWISE SPECIFIED: DIMENSIONS ARE IN MILLIMETERS, TOLERANCES ARE ±0.5 AND ANGLES ARE ±3°.		projects® unlimited Dayton, Ohio							
<table border="1"> <thead> <tr> <th>APPROVALS</th> <th>DATE</th> </tr> </thead> <tbody> <tr> <td>DRAWN T. P. I.</td> <td>4/03</td> </tr> <tr> <td>APPROVED S. J.</td> <td>4/03</td> </tr> </tbody> </table>		APPROVALS	DATE	DRAWN T. P. I.	4/03	APPROVED S. J.	4/03	PIEZO CERAMIC BENDER	
APPROVALS	DATE								
DRAWN T. P. I.	4/03								
APPROVED S. J.	4/03								
SIZE A	DRAWING NO. AB4129B-D								
DO NOT SCALE DRAWING		SCALE: N.T.S.	SHEET 1 OF 1						