

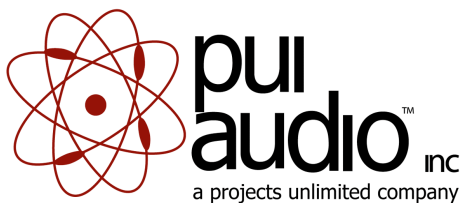
Excellent Integrated System Limited

Stocking Distributor

Click to view price, real time Inventory, Delivery & Lifecycle Information:

[PUI Audio, Inc.](#)
[AI-1027-TWT-5V-R](#)

For any questions, you can email us directly:
sales@integrated-circuit.com



AI-1027-TWT-5V-R 10mm Indicator

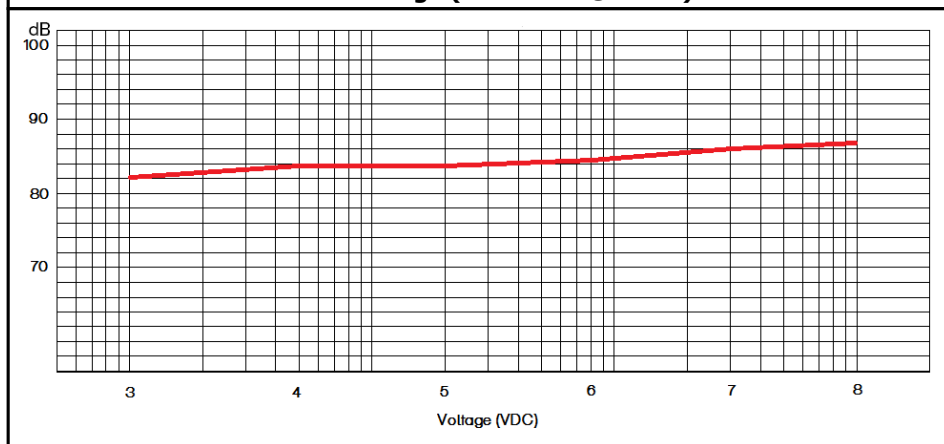


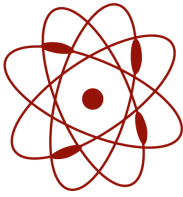
3541 Stop Eight Road • Dayton, Ohio 45414

Product Overview

- 10mm diameter, 3-8 VDC self-drive indicator
- 80 dBA minimum output (5 VDC @ 10 cm) and 2,700 Hz continuous tone
- Noryl® housing withstands Wave soldering temperatures
- Removable wash tag preserves performance

SPL vs Voltage (measured @10 cm)





pui audio inc
a projects unlimited company

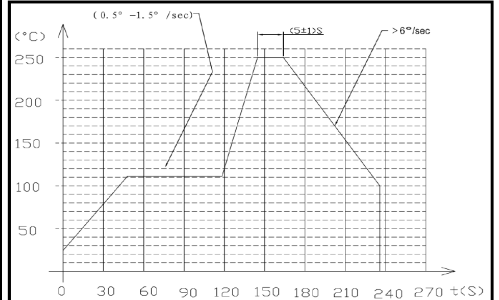
AI-1027-TWT-5V-R 10mm Indicator

Mechanical and Environment Testing

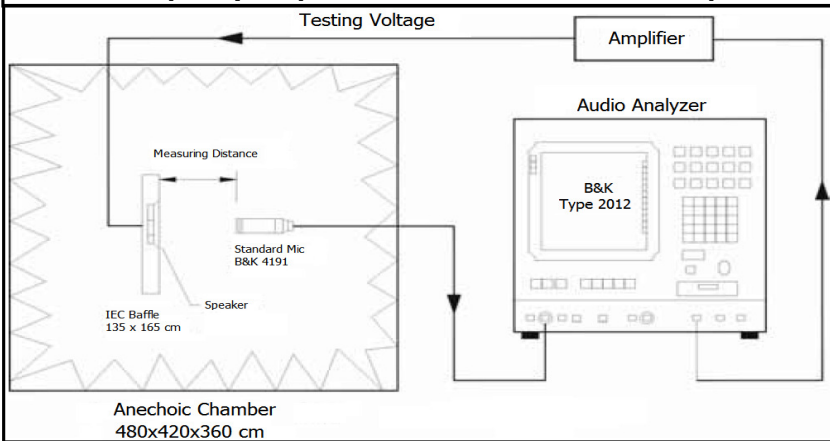
Test Description	Test Condition
High Temperature	85°C (±2°C) with random humidity for 96 hours
Low Temperature	-30°C (±2°C) with random humidity for 96 hours
Humidity	40°C (±2°C) with 90% to 95% relative humidity for 96 hours
Vibration	0.75 mm movement modulated at 10-55 Hz for 3 hours
Drop Test	100 cm free fall onto wood board, 10 cycles
Temperature Cycle Test	-30°C to 80°C, 100 cycles

After tests, part shall rest for 2 hours. Parts are then tested for clean, pure tones.

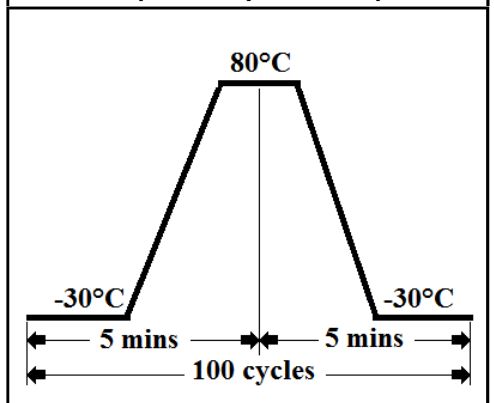
Wave Solder Profile



Frequency Response and SPL Measurement Setup



Temperature Cycle Test Graph



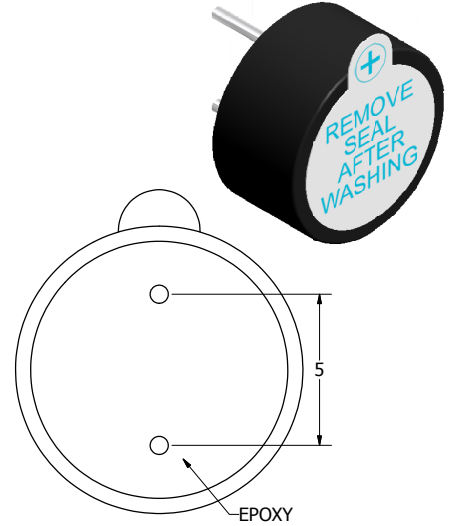
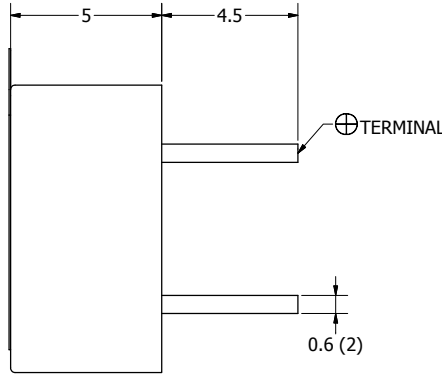
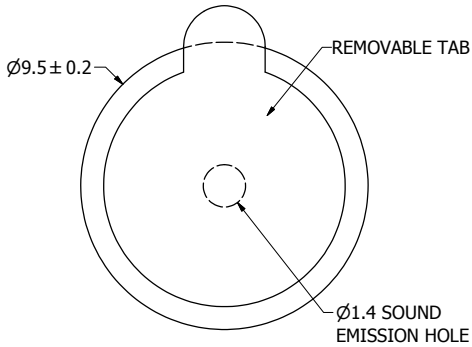
SPECIFICATIONS

PARAMETERS	VALUES	UNITS
RATED VOLTAGE	5	Vdc
OPERATING VOLTAGE RANGE	3 ~ 8	Vdc
RATED CURRENT (MAX)	30	mA
MINIMUM SPL @ 10 CM	80	dBa
RESONANT FREQUENCY	2,700 ± 200	Hz
TONE OR PULSE RATE	CONTINUOUS	0 pulse /sec
OPERATING TEMPERATURE	-20 ~ +80	°C
STORAGE TEMPERATURE	-30 ~ +85	°C
HOUSING MATERIAL	NORYL	-
TERMINAL MATERIAL	Sn PLATED RED COPPER	-
WEIGHT	1	grams

THIS DOCUMENT CONTAINS DATA PROPRIETARY TO PROJECTS UNLIMITED, INC. ANY USE OR REPRODUCTION, IN ANY FORM, WITHOUT PRIOR WRITTEN PERMISSION OF PROJECTS UNLIMITED, INC. IS PROHIBITED.
 ©2003, Projects Unlimited Inc.

REVISION HISTORY

LTR	DESCRIPTION	DATE	APPROVED
-	RELEASED FROM ENGINEERING	4/29/2005	
A	REVISED DIMENSION SIZE AND STYLE	11/28/2005	B.R.
B	ADDED POSITIVE TERMINAL LOCATION	11/3/2006	B.R.
C	REVISED PART NUMBER ON LABEL	1/23/2007	D.F.
D	REMOVED PRODUCT LABELING	8/7/2008	B.R.
E	REVISED TO INVENTOR 3-D DRAWING TEMPLATE	10/11/2008	B.R.



NOTES:

- ALL DIMENSIONS ARE IN MILLIMETERS.
- SPECIFICATIONS SUBJECT TO CHANGE OR WITHDRAWL WITHOUT NOTICE.
- THIS PART IS RoHS 2002/95/EC COMPLIANT.

UNLESS OTHERWISE SPECIFIED: DIMENSIONS ARE IN MILLIMETERS, TOLERANCES ARE ±0.5 AND ANGLES ARE ±3°.	SIZE	Designed by	Date	Checked by	Date	Approved by	Date	Drawn Date
	A3	R.A.C.	4/29/2005	B.R.	4/30/2005	R.W.	4/30/2005	10/11/2008
AI-1027-TWT-5V-R.idw			AI-1027-TWT-5V-R			Indicator		
						Edition	Sheet	
						-	1 / 1	