

Excellent Integrated System Limited

Stocking Distributor

Click to view price, real time Inventory, Delivery & Lifecycle Information:

[PUI Audio, Inc.](#)
[AT-0927-TT-3-R](#)

For any questions, you can email us directly:
sales@integrated-circuit.com

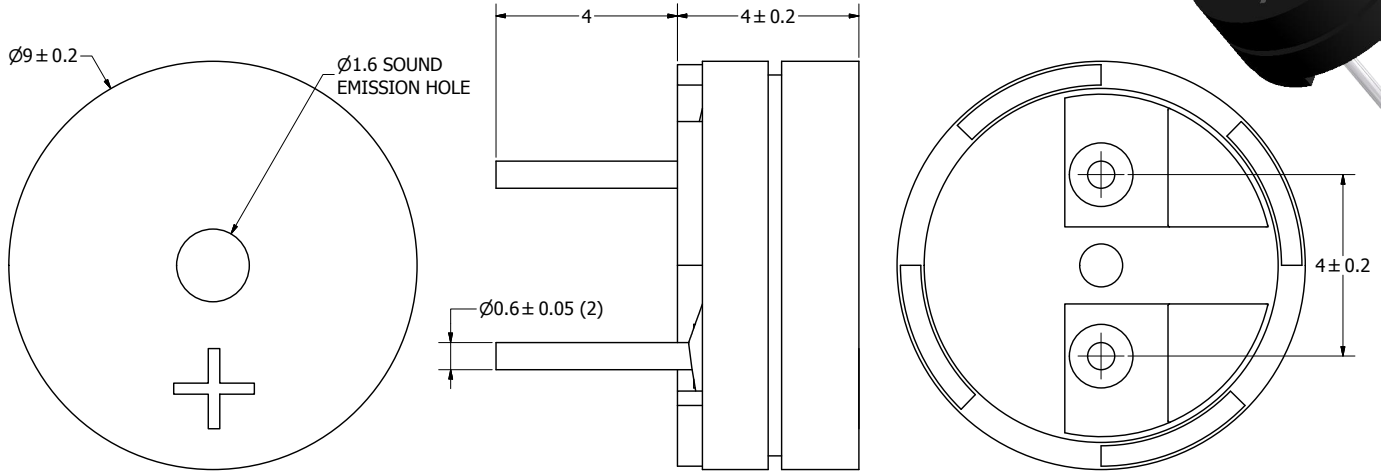
SPECIFICATIONS

| PARAMETERS | VALUES | UNIT |
|-------------------------|------------------|-------|
| RATED VOLTAGE | 3 | Vp-p |
| OPERATING VOLTAGE RANGE | 2 ~ 5 | Vp-p |
| RATED CURRENT (MAX) | 70 | mA |
| COIL RESISTANCE | 20 ± 3 | OHM |
| MINIMUM SPL @ 10 CM | 86 | dB |
| RESONANT FREQUENCY | 2,730 ± 500 | Hz |
| OPERATING TEMPERATURE | -20 ~ +70 | °C |
| STORAGE TEMPERATURE | -30 ~ +80 | °C |
| HOUSING MATERIAL | NORYL | - |
| TERMINAL MATERIAL | Sn PLATED COPPER | - |
| WEIGHT | 1 | grams |

THIS DOCUMENT CONTAINS DATA PROPRIETARY TO PROJECTS UNLIMITED, INC. ANY USE OR REPRODUCTION, IN ANY FORM, WITHOUT PRIOR WRITTEN PERMISSION OF PROJECTS UNLIMITED, INC. IS PROHIBITED.
©2003, Projects Unlimited Inc.

REVISION HISTORY

| LTR | DESCRIPTION | DATE | APPROVED |
|-----|--|----------|----------|
| - | RELEASED FROM ENGINEERING | 2/1/2007 | |
| A | REVISED TO INVENTOR 3-D DRAWING TEMPLATE | 4/1/2008 | B.R. |



NOTES:

1. ALL DIMENSIONS ARE IN MILLIMETERS.
2. SPECIFICATIONS SUBJECT TO CHANGE OR WITHDRAWL WITHOUT NOTICE.
3. THIS PART IS RoHS 2011/65/EU COMPLIANT.

| | | | | | | | | |
|---|------|-------------|----------|-----------------------|----------|-------------|---------------------------|------------|
| UNLESS OTHERWISE SPECIFIED: DIMENSIONS ARE IN MILLIMETERS, TOLERANCES ARE ± 0.5 AND ANGLES ARE 23° . | SIZE | Designed by | Date | Checked by | Date | Approved by | Date | Drawn Date |
| | A3 | J.D. | 2/1/2007 | D.F. | 2/1/2007 | R.W. | 2/1/2007 | 4/1/2008 |
| | | | | AT-0927-TT-3-R | | | Transducer (Electro-Mech) | |
| AT-0927-TT-3-R.idw | | | | | | | | |