

Excellent Integrated System Limited

Stocking Distributor

Click to view price, real time Inventory, Delivery & Lifecycle Information:

[PUI Audio, Inc.](#)
[CUM-4537L-R](#)

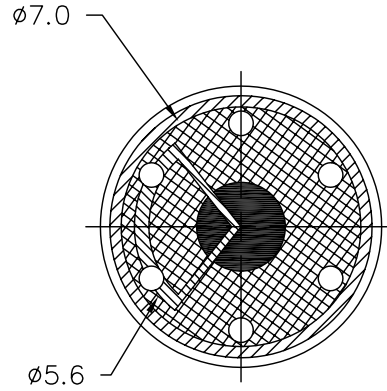
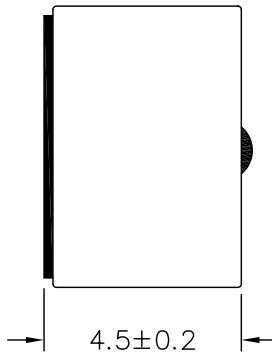
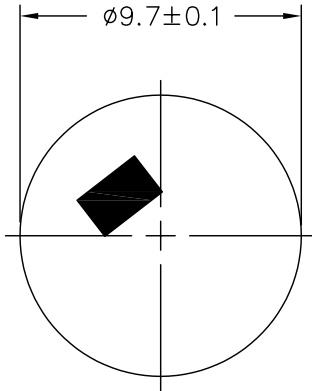
For any questions, you can email us directly:
sales@integrated-circuit.com

THIS DOCUMENT CONTAINS DATA PROPRIETARY TO PROJECTS UNLIMITED, INC. ANY USE OR REPRODUCTION, IN ANY FORM, WITHOUT PRIOR WRITTEN PERMISSION OF PROJECTS UNLIMITED, INC. IS PROHIBITED.
 © 2005, Projects Unlimited Inc.

SPECIFICATIONS

| PARAMETERS | VALUES | UNITS |
|------------------------------|----------------|-------|
| DIRECTIVITY | UNIDIRECTIONAL | — |
| SENSITIVITY | -37±3 | dB |
| STANDARD OPERATING VOLTAGE | 1.5 | Vdc |
| MAX OPERATING VOLTAGE | 10 | Vdc |
| CURRENT CONSUMPTION (MAX) | 0.5 | mA |
| IMPEDANCE | 1.8 | kOhm |
| SIGNAL TO NOISE RATIO (MIN.) | 55 | dB |
| TERMINAL | SOLDER PADS | — |
| INTERNAL CAPACITOR | N/A | pF |

| REVISIONS | | | |
|-----------|---------------------------|---------|----------|
| LTR | DESCRIPTION | DATE | APPROVED |
| — | RELEASED FROM ENGINEERING | 1/30/06 | |



NOTES:

1. ALL DIMENSIONS ARE IN MILLIMETERS.
2. SPECIFICATION SUBJECT TO CHANGE OR WITHDRAWAL WITHOUT NOTICE.
3. THIS PART IS RoHS 2002/95/EC COMPLIANT.

FILE NAME
 CUM-4537L-R.DWG

| UNLESS OTHERWISE SPECIFIED: DIMENSIONS ARE IN MILLIMETERS. TOLERANCES ARE ±0.5 AND ANGLES ARE ±3°. | | Dayton, Ohio | | | | | | | | | |
|---------------------------------------------------------------------------------------------------------------------------------------------------------------------------------------------------------------------------------------------------------------------------------|-------------|---------------|-------------|---------------------|-------------|---------------------|-------|----------------------|-------|------------|--|
| <table border="1"> <thead> <tr> <th>APPROVALS</th> <th>DATE</th> </tr> </thead> <tbody> <tr> <td>DRAWN <i>J.A.F.</i></td> <td>01/06</td> </tr> <tr> <td>CHECKED <i>E.P.</i></td> <td>01/06</td> </tr> <tr> <td>APPROVED <i>B.R.</i></td> <td>01/06</td> </tr> </tbody> </table> | | APPROVALS | DATE | DRAWN <i>J.A.F.</i> | 01/06 | CHECKED <i>E.P.</i> | 01/06 | APPROVED <i>B.R.</i> | 01/06 | MICROPHONE | |
| APPROVALS | DATE | | | | | | | | | | |
| DRAWN <i>J.A.F.</i> | 01/06 | | | | | | | | | | |
| CHECKED <i>E.P.</i> | 01/06 | | | | | | | | | | |
| APPROVED <i>B.R.</i> | 01/06 | | | | | | | | | | |
| <table border="1"> <thead> <tr> <th>SIZE</th> <th>DRAWING NO.</th> </tr> </thead> <tbody> <tr> <td>A</td> <td>CUM-4537L-R</td> </tr> </tbody> </table> | | SIZE | DRAWING NO. | A | CUM-4537L-R | SHEET 1 OF 1 | | | | | |
| SIZE | DRAWING NO. | | | | | | | | | | |
| A | CUM-4537L-R | | | | | | | | | | |
| DO NOT SCALE DRAWING | | SCALE: N.T.S. | | | | | | | | | |