



## Excellent Integrated System Limited

Stocking Distributor

Click to view price, real time Inventory, Delivery & Lifecycle Information:

[PUI Audio, Inc.](#)  
[POM-2240L-C1033-R](#)

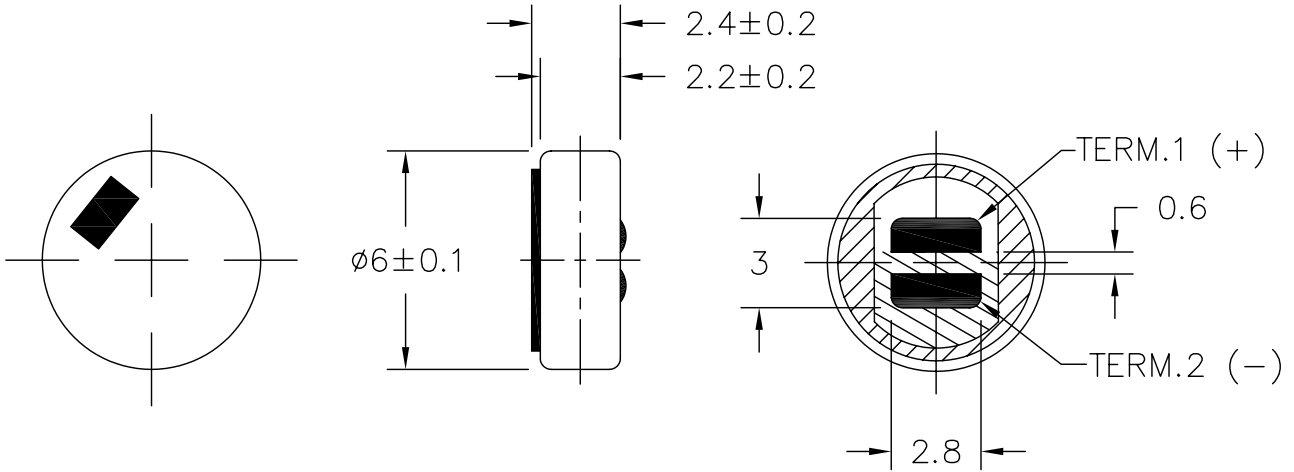
For any questions, you can email us directly:  
[sales@integrated-circuit.com](mailto:sales@integrated-circuit.com)

THIS DOCUMENT CONTAINS DATA PROPRIETARY TO PROJECTS UNLIMITED, INC. ANY USE OR REPRODUCTION, IN ANY FORM, WITHOUT PRIOR WRITTEN PERMISSION OF PROJECTS UNLIMITED, INC. IS PROHIBITED.  
© 2005, Projects Unlimited Inc.

SPECIFICATIONS

| PARAMETERS                   | VALUES     | UNITS |
|------------------------------|------------|-------|
| DIRECTIVITY                  | OMNI       | -     |
| SENSITIVITY                  | -40±2      | dB    |
| STANDARD OPERATING VOLTAGE   | 2          | Vdc   |
| MAX OPERATING VOLTAGE        | 10         | Vdc   |
| CURRENT CONSUMPTION (MAX)    | 0.5        | mA    |
| IMPEDANCE                    | 2.2        | kOhm  |
| SIGNAL TO NOISE RATIO (MIN.) | 60         | dB    |
| TERMINAL                     | SOLDER PAD | -     |
| INTERNAL CAPACITOR           | 10 & 33    | pF    |

| REVISIONS |                           |         |          |
|-----------|---------------------------|---------|----------|
| LTR       | DESCRIPTION               | DATE    | APPROVED |
| -         | RELEASED FROM ENGINEERING | 6/27/06 |          |



NOTES:

1. ALL DIMENSIONS ARE IN MILLIMETERS.
2. SPECIFICATION SUBJECT TO CHANGE OR WITHDRAWAL WITHOUT NOTICE.
3. THIS PART IS RoHS 2002/95/EC COMPLIANT.

FILE NAME  
POM-2240L-C1033-R.DWG

| UNLESS OTHERWISE SPECIFIED:<br>DIMENSIONS ARE IN MILLIMETERS. TOLERANCES ARE $\pm 0.5$ AND ANGLES ARE $\pm 3^\circ$ .   |                   | <br>Dayton, Ohio |             |            |                   |                     |      |               |      |                   |  |
|---|-------------------|------------------|-------------|------------|-------------------|---------------------|------|---------------|------|-------------------|--|
| <table border="1"> <thead> <tr> <th>APPROVALS</th> <th>DATE</th> </tr> </thead> <tbody> <tr> <td>DRAWN J.D.</td> <td>6/06</td> </tr> <tr> <td>CHECKED E.P.</td> <td>6/06</td> </tr> <tr> <td>APPROVED B.R.</td> <td>6/06</td> </tr> </tbody> </table> |                   | APPROVALS        | DATE        | DRAWN J.D. | 6/06              | CHECKED E.P.        | 6/06 | APPROVED B.R. | 6/06 | <p>MICROPHONE</p> |  |
| APPROVALS   | DATE              |                  |             |            |                   |                     |      |               |      |                   |  |
| DRAWN J.D.  | 6/06              |                  |             |            |                   |                     |      |               |      |                   |  |
| CHECKED E.P.  | 6/06              |                  |             |            |                   |                     |      |               |      |                   |  |
| APPROVED B.R.   | 6/06              |                  |             |            |                   |                     |      |               |      |                   |  |
| <table border="1"> <thead> <tr> <th>SIZE</th> <th>DRAWING NO.</th> </tr> </thead> <tbody> <tr> <td>A</td> <td>POM-2240L-C1033-R</td> </tr> </tbody> </table>  |                   | SIZE             | DRAWING NO. | A          | POM-2240L-C1033-R | <p>SHEET 1 OF 1</p> |      |               |      |                   |  |
| SIZE  | DRAWING NO.       |                  |             |            |                   |                     |      |               |      |                   |  |
| A   | POM-2240L-C1033-R |                  |             |            |                   |                     |      |               |      |                   |  |
| DO NOT SCALE DRAWING  |                   | SCALE: N.T.S.    |             |            |                   |                     |      |               |      |                   |  |