



Excellent Integrated System Limited

Stocking Distributor

Click to view price, real time Inventory, Delivery & Lifecycle Information:

[PUI Audio, Inc.](#)
[POM-2240P-C33-R](#)

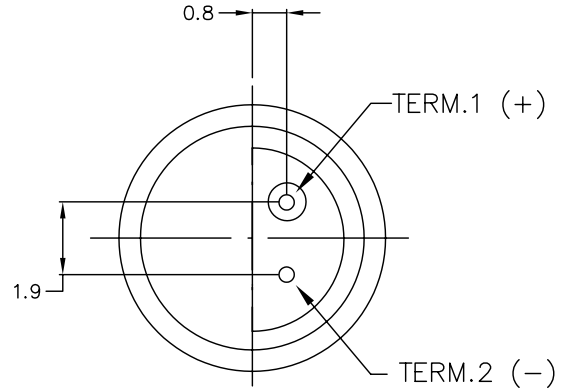
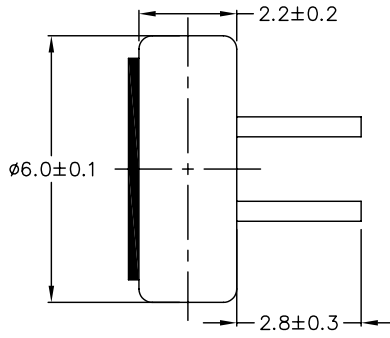
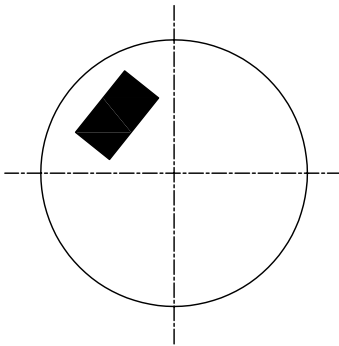
For any questions, you can email us directly:
sales@integrated-circuit.com

THIS DOCUMENT CONTAINS DATA PROPRIETARY TO PROJECTS UNLIMITED, INC. ANY USE OR REPRODUCTION, IN ANY FORM, WITHOUT PRIOR WRITTEN PERMISSION OF PROJECTS UNLIMITED, INC. IS PROHIBITED.
 © 2005, Projects Unlimited Inc.

SPECIFICATIONS

PARAMETERS	VALUES	UNITS
DIRECTIVITY	OMNI	-
SENSITIVITY	-40±3	dB
STANDARD OPERATING VOLTAGE	2	Vdc
MAX OPERATING VOLTAGE	10	Vdc
CURRENT CONSUMPTION MAX	0.5	mA
IMPEDANCE	2.2	kOhm
SIGNAL TO NOISE RATIO (MIN.)	60	dB
TERMINAL	PINS	-
INTERNAL CAPACITOR	33	pF

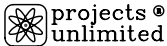
REVISIONS			
LTR	DESCRIPTION	DATE	APPROVED
-	RELEASED FROM ENGINEERING	3/23/06	



NOTES:

- ALL DIMENSIONS ARE IN MILLIMETERS.
- SPECIFICATION SUBJECT TO CHANGE OR WITHDRAWAL WITHOUT NOTICE.
- THIS PART IS RoHS 2002/95/EC COMPLIANT.
- MICROPHONE CLOTH OVER FACE IS IP51 RATED.

FILE NAME
 POM-2240P-C33-R.DWG

UNLESS OTHERWISE SPECIFIED: DIMENSIONS ARE IN MILLIMETERS, TOLERANCES ARE ±0.5 AND ANGLES ARE 13°.		 projects® unlimited Dayton, Ohio									
<table border="1"> <thead> <tr> <th>APPROVALS</th> <th>DATE</th> </tr> </thead> <tbody> <tr> <td>DRAWN TG</td> <td>5/05</td> </tr> <tr> <td>CHECKED B.R.</td> <td>5/05</td> </tr> <tr> <td>APPROVED R.W.</td> <td>5/05</td> </tr> </tbody> </table>		APPROVALS	DATE	DRAWN TG	5/05	CHECKED B.R.	5/05	APPROVED R.W.	5/05	MICROPHONE DRAWING NO. POM-2240P-C33-R	
APPROVALS	DATE										
DRAWN TG	5/05										
CHECKED B.R.	5/05										
APPROVED R.W.	5/05										
DO NOT SCALE DRAWING		SIZE A	SHEET 1 OF 1								