

Excellent Integrated System Limited

Stocking Distributor

Click to view price, real time Inventory, Delivery & Lifecycle Information:

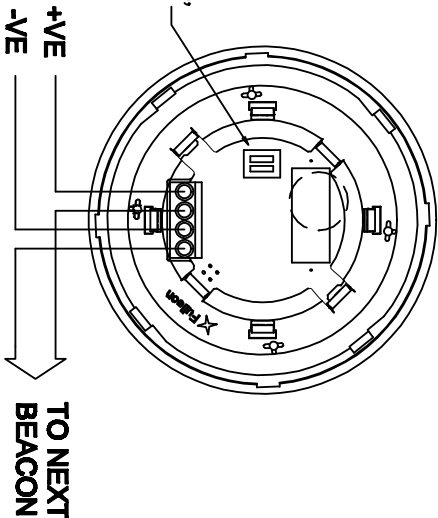
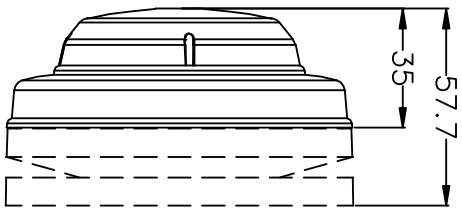
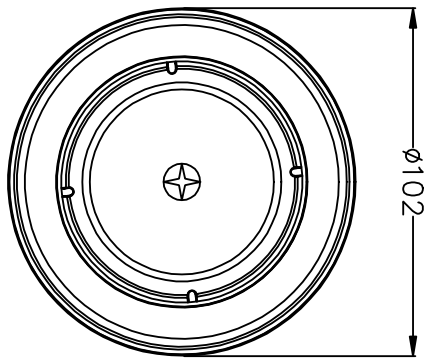
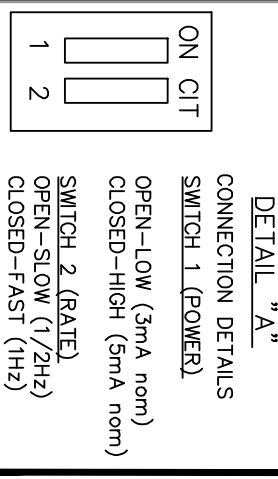
[PUI Audio, Inc.](#)
[VW-05MR-RL](#)

For any questions, you can email us directly:
sales@integrated-circuit.com

THIS DOCUMENT CONTAINS DATA PROPRIETARY TO PROJECTS UNLIMITED, INC. REPRODUCTION, IN ANY FORM, WITHOUT PRIOR WRITTEN PERMISSION OF PROJECTS UNLIMITED, INC. © 2005, Projects Unlimited Inc.

SPECIFICATIONS

PARAMETERS	VALUES	UNITS
RATED VOLTAGE	24	Vdc
OPERATING VOLTAGE RANGE	9 ~ 28	Vdc
RATED CURRENT (MAX)	6	mA
INGRESS PROTECTION	IP42	-
COLOR	RED	-
OPERATING TEMPERATURE	-10 ~ +55	°C
HOUSING MATERIAL	ABS	-
TERMINAL MATERIAL	SCREW	-
WEIGHT	100	grams
FLASH RATE	0.5/1	Hz



REVISIONS			
LTR	DESCRIPTION	DATE	APPROVED
-	RELEASED FROM ENGINEERING	9/7/06	
A	ADDED BASE NOTE NEW DIMENSION	5/21/07	R.W.
B	REVISED DETAIL "A" DIL SWITCH	3/11/09	B.R.

- NOTES:
1. ALL DIMENSIONS ARE IN MILLIMETERS.
 2. SPECIFICATION SUBJECT TO CHANGE OR WITHDRAWAL WITHOUT NOTICE.
 3. THIS PART IS ROHS 2002/95/EC COMPLIANT.
 4. MOUNTS TO AW-05MR OR AW-05MW-NC.

FILE NAME
 VW-05MR-RL.DWG

UNLESS OTHERWISE SPECIFIED:
 DIMENSIONS ARE IN MILLIMETERS, TOLERANCES ARE ±0.5 AND ANGLES ARE 3°.

APPROVALS	DATE
DRAWN J.D.	9/06
CHECKED R.W.	9/06
APPROVED B.R.	9/06

DO NOT SCALE DRAWING

projects®
 unlimited
 Dayton, Ohio

SIREN

DRAWING NO.
 VW-05MR-RL

SCALE: N.T.S.

SHEET 1 OF 1