



Excellent Integrated System Limited

Stocking Distributor

Click to view price, real time Inventory, Delivery & Lifecycle Information:

[PUI Audio, Inc.](#)
[X-4032-TF-LW105-R](#)

For any questions, you can email us directly:
sales@integrated-circuit.com

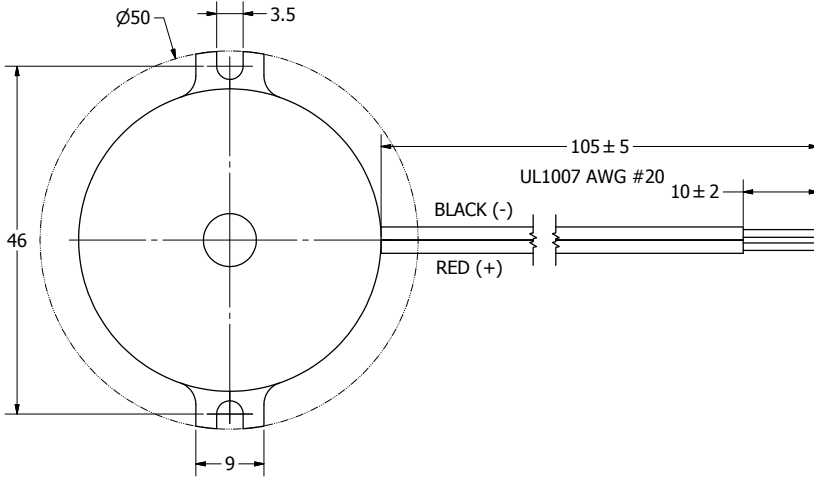
SPECIFICATIONS

PARAMETERS	VALUES	UNITS
RATED VOLTAGE	90	Vdc
OPERATING VOLTAGE RANGE	15 ~ 130	Vdc
OPERATING VOLTAGE RANGE	90 ~ 120	Vac
RATED CURRENT (MAX)	9	mA
MINIMUM SPL @ 10 CM	97	dBA
RESONANT FREQUENCY	3,200 ± 500	Hz
TONE OR PULSE RATE	CONTINUOUS	0 pulse /sec
OPERATING TEMPERATURE	-30 ~ +80	°C
STORAGE TEMPERATURE	-40 ~ +80	°C
HOUSING MATERIAL	ABS	-
TERMINAL MATERIAL	LEAD WIRES	-
WEIGHT	16	grams

THIS DOCUMENT CONTAINS DATA PROPRIETARY TO PROJECTS UNLIMITED, INC. ANY USE OR REPRODUCTION, IN ANY FORM, WITHOUT PRIOR WRITTEN PERMISSION OF PROJECTS UNLIMITED, INC. IS PROHIBITED.
 ©2003, Projects Unlimited Inc.

REVISION HISTORY

LTR	DESCRIPTION	DATE	APPROVED
-	RELEASED FROM ENGINEERING	5/22/2006	
A	REVISED TO INVENTOR 3-D DRAWING TEMPLATE	3/13/2008	B.R.



NOTES:

1. ALL DIMENSIONS ARE IN MILLIMETERS.
2. SPECIFICATIONS SUBJECT TO CHANGE OR WITHDRAWL WITHOUT NOTICE.
3. THIS PART IS RoHS 2002/95/EC COMPLIANT.

UNLESS OTHERWISE SPECIFIED: DIMENSIONS ARE IN MILLIMETERS, TOLERANCES ARE ±0.5 AND ANGLES ARE 23°.	SIZE	Designed by	Date	Checked by	Date	Approved by	Date	Drawn Date
	A3	J.D.	5/22/2006	E.P.	5/22/2006	B.R.	5/22/2006	3/13/2008
X-4032-TF-LW105-R.idw	 pui audio a projects unlimited company		X-4032-TF-LW105-R			Indicator		
						Edition	Sheet	
						-	1 / 1	