

Excellent Integrated System Limited

Stocking Distributor

Click to view price, real time Inventory, Delivery & Lifecycle Information:

[Apex Microtechnology](#)
[EK-SA50](#)

For any questions, you can email us directly:

sales@integrated-circuit.com

Evaluation Kit

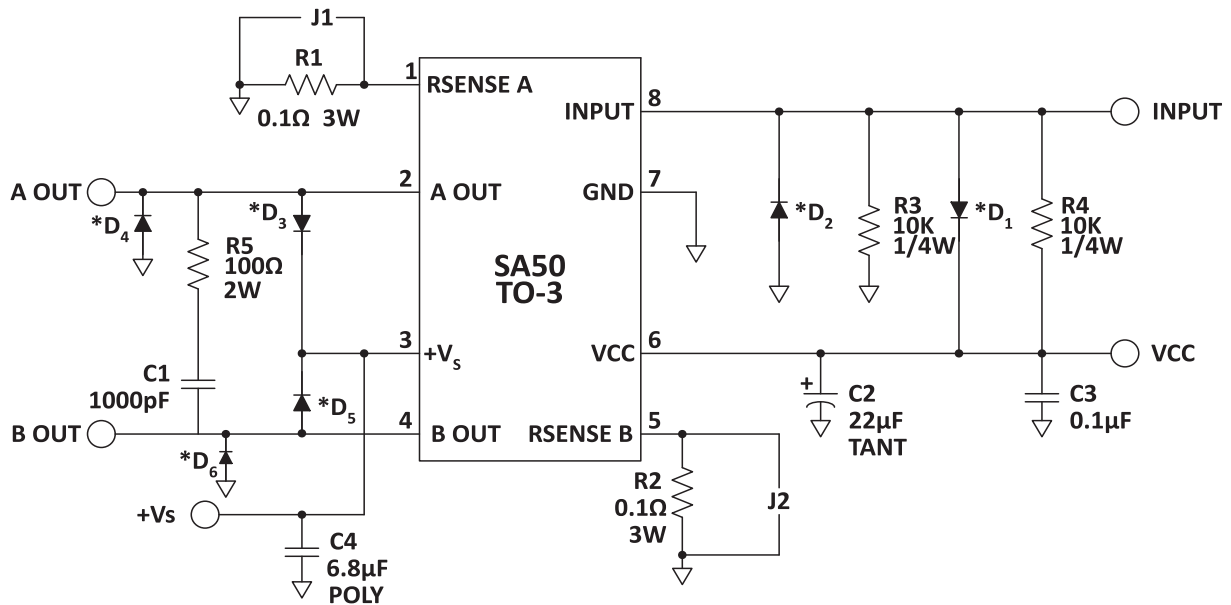
APPLICABLE PARTS (SOLD SEPARATELY)

- SA50

INTRODUCTION

Fast, easy breadboarding of circuits using the SA50 are possible with the EVAL05 PC board. Mounting holes are provided and the provision for standard banana jacks simplifies connection and testing. Components are labeled on both sides of the board for ease in probing.

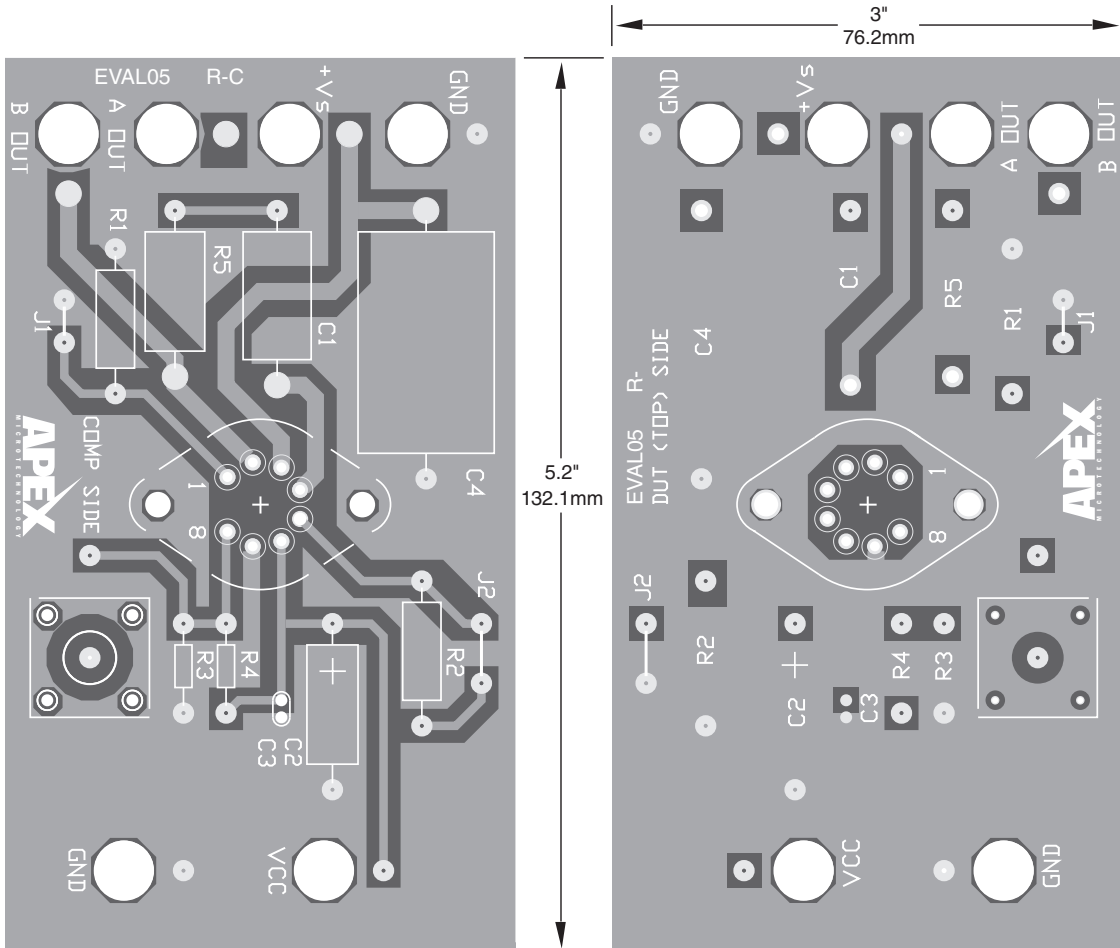
Figure 1: Equivalent Schematic



*D1 and D2 – Input Protection, high speed such as 1N4148.
 D3 through D6 – Flyback protection, high speed (<200ns).
 Solder as close to SA50 as possible
 These components do not have designations on the PC Board.

EK-SA50

Figure 2: PCB





EK-SA50

TYPICAL COMPONENT FUNCTIONS

Component	Function
C2, C3, C4	Power supply bypass capacitors
R3, R4	Resistor divider to set the input voltage at 50% of Vcc under nominal conditions
R5, C1	Snubber network
R1, R2	Current sensing resistors or jumpered to ground

PARTS LIST

Reference	Manufacturer Part #	Description	QTY
	EVAL05	P.C. Board	1
	HS14	Heatsink	1
	MS03	Mating Socket	1
	TW03	Thermal Washers	1 Bag of 10

NEED TECHNICAL HELP? CONTACT APEX SUPPORT!

For all Apex Microtechnology product questions and inquiries, call toll free 800-546-2739 in North America. For inquiries via email, please contact apex.support@apexanalog.com. International customers can also request support by contacting their local Apex Microtechnology Sales Representative. To find the one nearest to you, go to www.apexanalog.com

IMPORTANT NOTICE

Apex Microtechnology, Inc. has made every effort to insure the accuracy of the content contained in this document. However, the information is subject to change without notice and is provided "AS IS" without warranty of any kind (expressed or implied). Apex Microtechnology reserves the right to make changes without further notice to any specifications or products mentioned herein to improve reliability. This document is the property of Apex Microtechnology and by furnishing this information, Apex Microtechnology grants no license, expressed or implied under any patents, mask work rights, copyrights, trademarks, trade secrets or other intellectual property rights. Apex Microtechnology owns the copyrights associated with the information contained herein and gives consent for copies to be made of the information only for use within your organization with respect to Apex Microtechnology integrated circuits or other products of Apex Microtechnology. This consent does not extend to other copying such as copying for general distribution, advertising or promotional purposes, or for creating any work for resale.

APEX MICROTECHNOLOGY PRODUCTS ARE NOT DESIGNED, AUTHORIZED OR WARRANTED TO BE SUITABLE FOR USE IN PRODUCTS USED FOR LIFE SUPPORT, AUTOMOTIVE SAFETY, SECURITY DEVICES, OR OTHER CRITICAL APPLICATIONS. PRODUCTS IN SUCH APPLICATIONS ARE UNDERSTOOD TO BE FULLY AT THE CUSTOMER OR THE CUSTOMER'S RISK.

Apex Microtechnology, Apex and Apex Precision Power are trademarks of Apex Microtechnology, Inc. All other corporate names noted herein may be trademarks of their respective holders.