

Excellent Integrated System Limited

Stocking Distributor

Click to view price, real time Inventory, Delivery & Lifecycle Information:

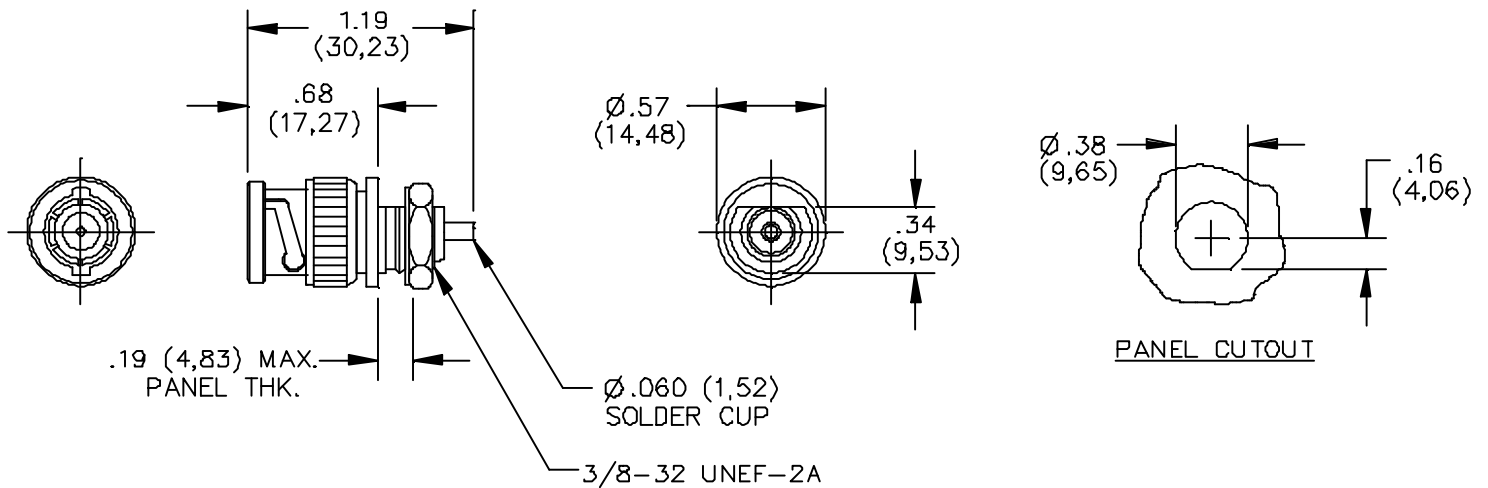
[Pomona Electronics](#)
[4979](#)

For any questions, you can email us directly:

sales@integrated-circuit.com

Pomona®

Model 4979
BNC Bulkhead Receptacle, Male



MATERIALS:

Body – Brass, Tarnish Resistant Plating, Center Contact – Gold Plated Brass

Dielectric: PTFE

Finish: Body and Fittings: Tarnish Resistant

Hardware: Body, Lockwasher (Int. Tooth), Hex Nut

Marking: “Pomona 4979”

RATINGS:

Nominal Impedance: 50 Ohms

ORDERING INFORMATION: Model 4979

All dimensions are in inches. Tolerances (except noted): .xx = ±.02” (.51 mm), .xxx = ± .005” (.127 mm).

All specifications are to the latest revisions. Specifications are subject to change without notice.

Registered trademarks are the property of their respective companies. Made in USA