



Distributor of Conec: Excellent Integrated System Limited

Datasheet of 163C17499X - D-Sub Connector Plug, Male Pins 44 Position Board Edge,
Through Hole, Right Angle Solder

Contact us: sales@integrated-circuit.com Website: www.integrated-circuit.com

Excellent Integrated System Limited

Stocking Distributor

Click to view price, real time Inventory, Delivery & Lifecycle Information:

[Conec](#)

[163C17499X](#)

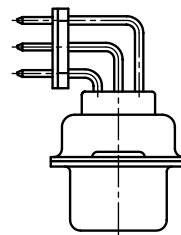
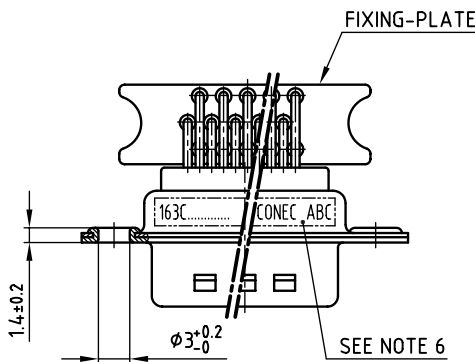
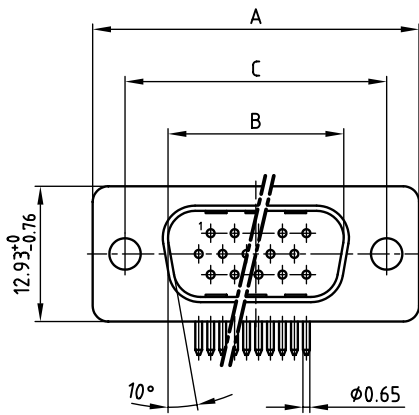
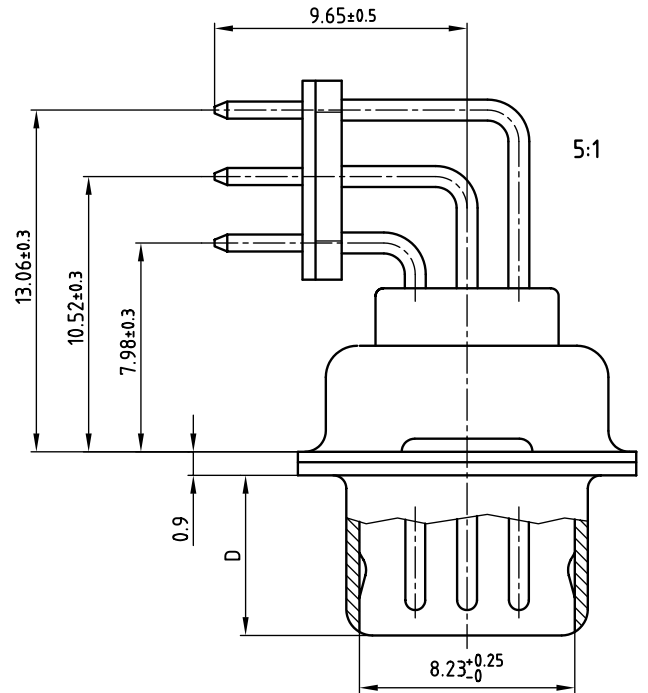
For any questions, you can email us directly:

sales@integrated-circuit.com

Contact us: sales@integrated-circuit.com Website: www.integrated-circuit.com

Used for: D-SUB HD

POS.	A -0.76	B +0.25	C	D -0.3	Part NO.
15	31.19	16.79	25.00 ^{+0.12} / _{-0.13}	6.12	163C17479X
26	39.52	25.12	33.30 ^{+0.15} / _{-0.1}	6.12	163C17489X
44	53.42	38.84	47.04 ±0.13	5.99	163C17499X
62	69.70	55.30	63.50 ±0.13	5.99	163C17509X



NOTES:

- METALSHELLS: STEEL; min. 315µin TIN over 40-80µin NICKEL
- INSULATORS: PBT GF UL 94 V-0, BLACK
- CONTACTS: COPPER ALLOY
PLATING: 30µin HARD GOLD OVER min. 50µin NICKEL
- FIXING-PLATE: PBT GF UL 94 V-0, BLACK
- P.C.B. HOLE DRILLINGS ON SHEET 2
- CONNECTOR IS PART MARKED: PART-NO. CONEC ABC



APPROVAL # FREIGABE # DEBLOCAGE # AUTORIZACION # APPROVAL	
CUSTOMER APPROVAL DATE:	
NAME:	TITLE:
COMPANY NAME:	

DRAWING MAY NOT BE COPIED OR REPRODUCED IN ANY WAY, AND MAY NOT BE LOANED, REPRODUCED, COPIED, REPRODUCED, OR TRANSMITTED IN ANY FORM OR BY ANY MEANS, WITHOUT THE WRITTEN PERMISSION OF CONEC GmbH. ALL RIGHTS RESERVED.

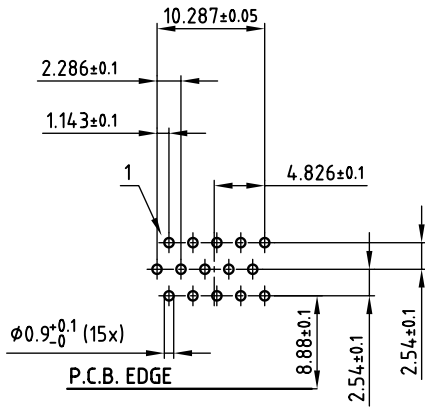
tolerance		dim. in mm	
2008	date	name	title:
	24.10.	Lehmenkühler	D-SUB HD MALE 90° 15-62pos. with fixing-plate
	24.10.	Mickenbecker	
		norm	DIN 41652
		d-old	
a	Origin		

scale:	2:1 (5:1)
material:	SEE NOTES
dwg no:	AutoCAD 2006
16K2A1966	
DIN-A	3
sh:	1/2

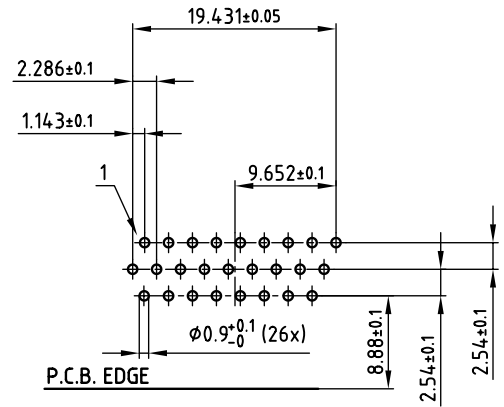


Contact us: sales@integrated-circuit.com Website: www.integrated-circuit.com

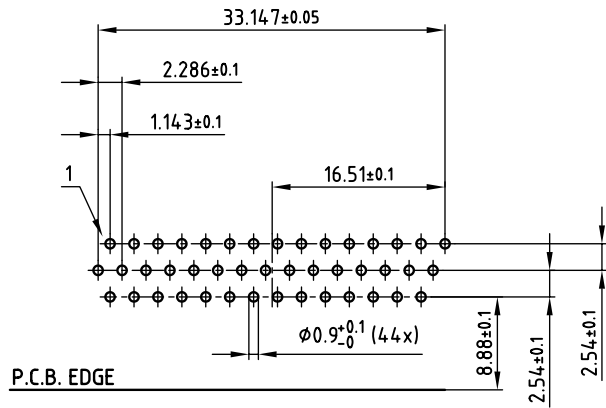
Used for: D-SUB HD



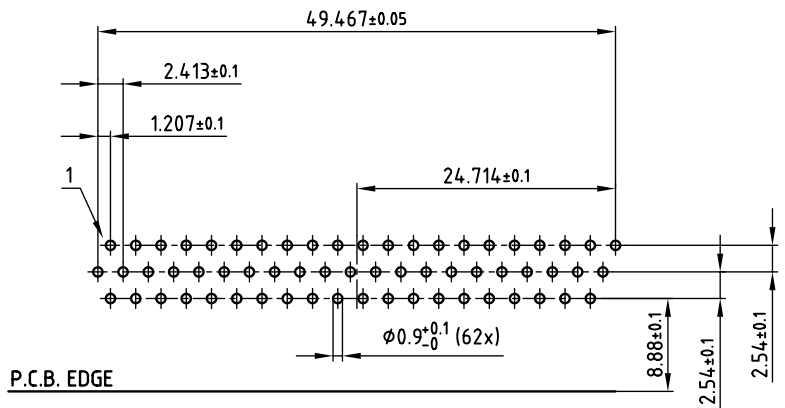
15pos.



26pos.



44pos.



62pos.

APPROVAL # FREIGABE # DEBLOCAGE # AUTORIZACION # APPROVAL	
CUSTOMER APPROVAL DATE:	
NAME:	TITLE:
COMPANY NAME:	

DRAWING MAY NOT BE COPIED OR REPRODUCED IN ANY WAY, AND MAY NOT BE PASSED ON TO A THIRD PARTY WITHOUT THE WRITTEN PERMISSION OF CONEC. CONEC IS THE PROPERTY AND COPYRIGHT OF CONEC GmbH. DO NOT ALTER CAD DRAWING BY HAND

tolerance		dim. in mm	scale: 2:1	
			material: SEE SHEET 1	
2008	date	name	title:	
drawn	24.10.	Lehmenkühler	P.C.B. HOLE DRILLINGS	
appd.	24.10.	Mickenbecker	D-SUB HD MALE 90° 15-62pos.	
norm			with fixing-plate	
d-old			dwg no: AutoCAD 2006	
a	Origin		16K2A1966	

