



**Distributor of Molex Connector Corporation: Excellent Integrated System Limited**  
Datasheet of 48242-0001 - Connector Receptacle USB - mini B 2.0 OTG 5 Position Surface  
Mount, Right Angle, Horizontal

Contact us: [sales@integrated-circuit.com](mailto:sales@integrated-circuit.com) Website: [www.integrated-circuit.com](http://www.integrated-circuit.com)

---

## **Excellent Integrated System Limited**

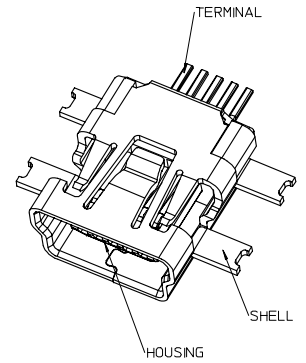
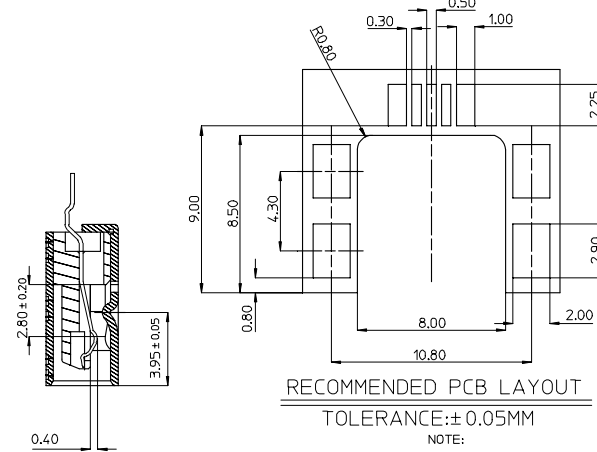
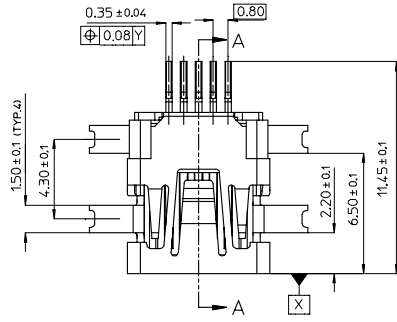
Stocking Distributor

Click to view price, real time Inventory, Delivery & Lifecycle Information:

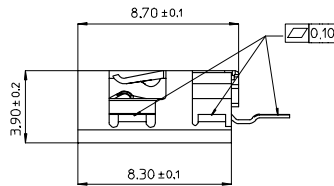
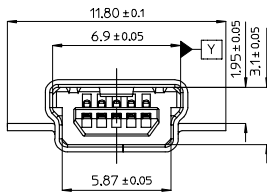
[Molex Connector Corporation](#)  
[48242-0001](#)

For any questions, you can email us directly:  
[sales@integrated-circuit.com](mailto:sales@integrated-circuit.com)

Contact us: [sales@integrated-circuit.com](mailto:sales@integrated-circuit.com) Website: [www.integrated-circuit.com](http://www.integrated-circuit.com)



SECTION A-A



NOTE:

1. MATERIAL:  
HOUSING : LIQUID CRYSTAL POLYMER(LCP),  
GLASS FIBER FILLED, UL94V-0,COLOUR:BLACK.  
TERMINAL : PHOSPHOR BRONZE,THICKNESS=0.2±0.05MM.  
SHIELD : STAINLESS STEEL,THICKNESS=0.4MM.
2. PLATING:  
TERMINAL:  
CONTACT AREA: GOLD 0.76 MICROMETER MINIMUM.  
SOLDER TAIL AREA: PURE MATTE TIN 3.8 MICROMETER MINIMUM.  
UNDER PLATING:NICKEL.  
SHIELD:  
PURE MATTE TIN 3.8 MICROMETER MINIMUM.  
UNDER PLATING:NICKEL.
3. TAIL & NAIL COPLANARITY 0.1mm MAXIMUM.
4. PRODUCT SPECIFICATION REFER TO PS-47153-001
5. PACKAGING REFER TO PK-48242-001
6. TEST SUMMARY REFER TO TS-48242-001
7. LEAD-FREE AND ROHS COMPLIANCE.

RELEASED EC NO: SH2006-0297 DRAWN:KAO01 CHKD: APPR:WMSCHANG 2006/01/17 2006/01/17 2006/01/18	QUALITY SYMBOLS ▽=0 ▽=0	GENERAL TOLERANCES (UNLESS SPECIFIED)		DIMENSION STYLE MM ONLY		SCALE	DESIGN UNITS METRIC	THIRD ANGLE PROJECTION	
		4 PLACES ± --- ± ---	3 PLACES ± --- ± ---	2 PLACES ± 0.25 ± ---	1 PLACE ± 0.25 ± ---	ANGULAR ± 3 °	DRAWN BY LISHER	DATE 2005/11/29	TITLE MINI-B REC. CONN SMT SINK TYPE (LEAD-FREE VERSION)
		DRAFT WHERE APPLICABLE MUST REMAIN WITHIN DIMENSIONS		MATERIAL NO. 48242-0001		DOCUMENT NO. SD-48242-001		SHEET NO. 1 OF 1	
		MOLEX INCORPORATED THIS DRAWING CONTAINS INFORMATION THAT IS PROPRIETARY TO MOLEX INCORPORATED AND SHOULD NOT BE USED WITHOUT WRITTEN PERMISSION							