

## Excellent Integrated System Limited

Stocking Distributor

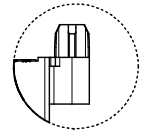
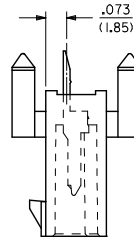
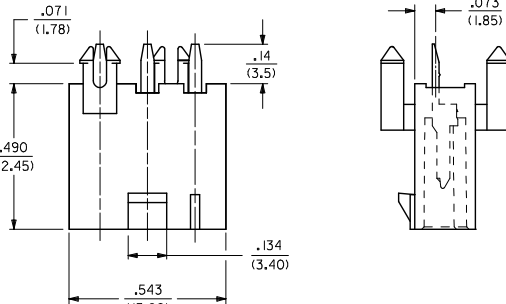
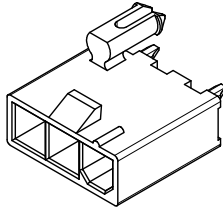
Click to view price, real time Inventory, Delivery & Lifecycle Information:

[Molex Connector Corporation](#)  
[0039302030](#)

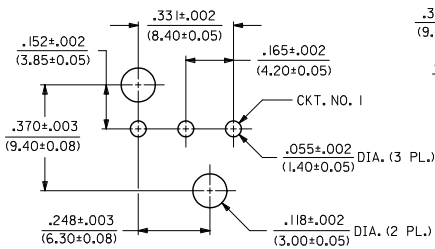
For any questions, you can email us directly:

[sales@integrated-circuit.com](mailto:sales@integrated-circuit.com)

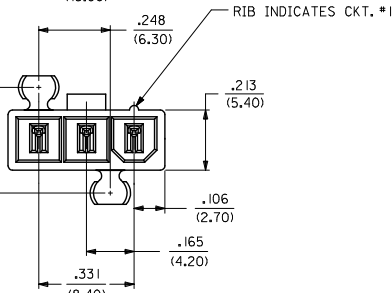
- NOTES:
- MATERIALS:
    - HOUSING:
      - \*BLANK\*=NYLON 6/6, UNFILLED UL94 V-2, COLOR: NATURAL
      - \*130\*=GLASS FILLED LCP, UL94 V-0, COLOR: NATURAL
      - \*210\*=NYLON 6/6, UNFILLED UL94 V-0, COLOR: NATURAL
      - \*400\*=NYLON 6/6, UNFILLED UL94 V-0, COLOR: BLACK
    - TERMINALS:
      - BRASS
  - TERMINAL PLATING:
    - \*BLANK\*=.000035/(0.00090) MIN. BRIGHT TIN OVER
    - .000020/(0.00050) MIN. COPPER
    - GS2=.00015/(0.0038) MIN. SELECT GOLD AND
    - .000100/(0.00254) MIN. SELECT MATTE TIN OVER
    - .000050/(0.00127) MIN. NICKEL OVERALL
    - GS=.000030/(0.00076) MIN. SELECT GOLD AND
    - .000100/(0.00254) MIN. SELECT MATTE TIN OVER
    - .000050/(0.00127) MIN. NICKEL OVERALL
    - S=.000100/(0.00254) MIN. BRIGHT TIN OVER
    - .000050/(0.00127) MIN. NICKEL
    - MS=.000100/(0.00254) MIN. MATTE TIN OVER
    - .000050/(0.00127) MIN. NICKEL
  - PRODUCT SPECIFICATION: PS-5556-001
  - PACKAGING: TRAY PACKED PER PK-5566-002
  - PART MATES WITH MINI-FIT JR. RECEPTACLE NO. 5557.
  - ALL DIMENSIONS ARE REFERENCE UNLESS OTHERWISE SPECIFIED.
  - PART IS NOT DESIGNED FOR CURRENT SHARING.
  - PARTS ARE NOT TO BE MATED OR UN-MATED WHILE CIRCUITS ARE LIVE.
  - PART CONFORMS TO CLASS "B" REQUIREMENTS OF COSMETIC SPECIFICATION PS-45499-002.



PRESS FIT PEG OPTION



RECOMMENDED HOLE LAYOUT FOR .070/(1.78) MAX. THICK P. C. BOARD



LEGEND

5566-03A3\*-\*\*\*

- BASE NO. \_\_\_\_\_
- CIRCUIT SIZE \_\_\_\_\_
- MOUNTING \_\_\_\_\_  
 3 = SNAP FIT PEGS  
 15 = PRESS FIT PEGS
- PLATING \_\_\_\_\_  
 (SEE NOTE 2)
- HOUSING MATERIAL \_\_\_\_\_  
 (SEE NOTE 1)

ADD MS P/N'S EC NO: UCF2016-0302 DRAWN BY: JMM CHKD: BELL APPROVED BY: SMITH DATE: 2015/07/20 DATE: 2015/07/20 DATE: 2015/07/23	QUALITY SYMBOLS ∇=0 ∇=0 ∇=0	GENERAL TOLERANCES (UNLESS SPECIFIED)		DIMENSION STYLE IN/MM		SCALE 4:1	DESIGN UNITS METRIC	THIRD ANGLE PROJECTION	
		4 PLACES ± --- ± ---	3 PLACES ± --- ± .010	DRAWN BY GEP	DATE 1990/06/07	TITLE MINI-FIT JR. VERT. HDR. ASSY. W/PEGS (SINGLE ROW)			
		2 PLACES ± 0.25 ± .020	1 PLACE ± 0.50 ± ---	CHECKED BY RJF	DATE 1990/06/07	MOLEX			
		0 PLACE ± --- ± ---	ANGULAR ± 1/2°	APPROVED BY SMITH	DATE 2012/09/05	MATERIAL NO. SEE CHART	DOCUMENT NO. SDA-5566-03*3*	SHEET NO. 1 OF 1	
DRAFT WHERE APPLICABLE MUST REMAIN WITHIN DIMENSIONS		THIS DRAWING CONTAINS INFORMATION THAT IS PROPRIETARY TO MOLEX INCORPORATED AND SHOULD NOT BE USED WITHOUT WRITTEN PERMISSION							