

Excellent Integrated System Limited

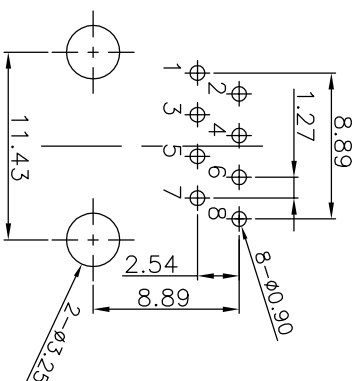
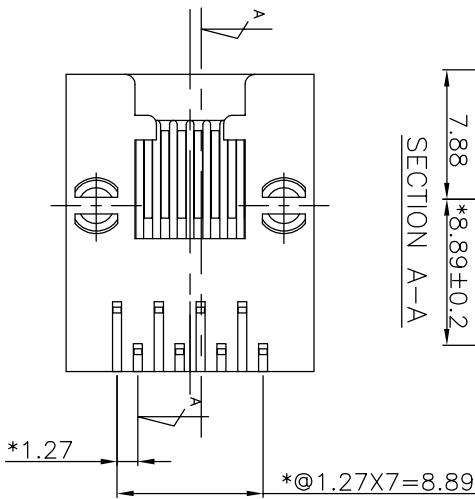
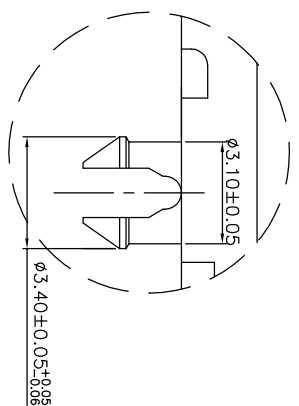
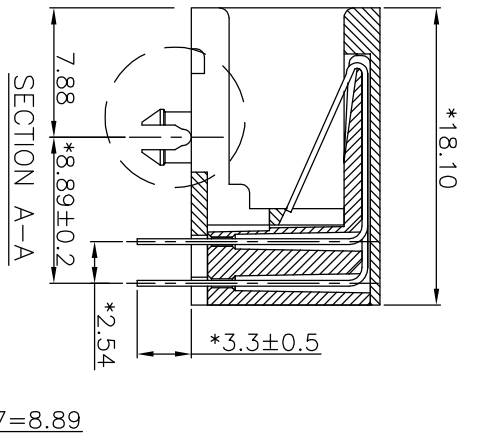
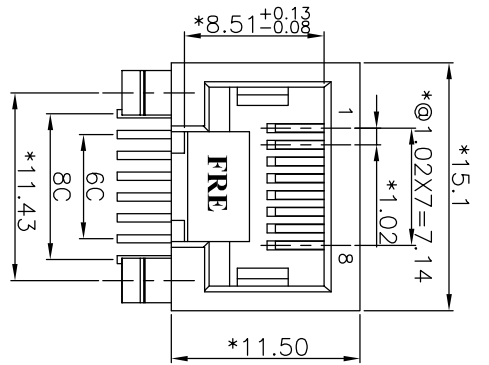
Stocking Distributor

Click to view price, real time Inventory, Delivery & Lifecycle Information:

[Pulse Electronics Corporation](#)
[E5388-E00212-L](#)

For any questions, you can email us directly:

sales@integrated-circuit.com



PC BOARD LAYOUT COMPONENT SIDE SHOWN

Thickness=1.60mm

NOTES:

ELECTRICAL:

1. VOLTAGE RATING : 125 VAC RMS.
2. CURRENT RATING : 1.5 AMP.
3. CONTACT RESISTANCE : 35 MILLIOHMS MAX.
4. INSULATION RESISTANCE: 1000 MEGOHMS MIN @ 500 VDC.
5. DIELECTRIC STRENGTH : 1000 VAC RMS 60Hz, 1MIN.

MECHANICAL:

1. HOUSING MATERIAL : GLASS FILLED POLYESTER UL94V-0.
2. CONTACT MATERIAL : PHOSPHOR BRONZE t=0.35mm.
3. PLATING : GOLD PLATING OVER NICKEL.
4. OPERATING LIFE : 750 CYCLES MIN.
5. PCB RETENTION PRE-SOLDER : 1 LB MIN.
6. PCB RETENTION POST-SOLDER: 10 LBS MIN.

ENVIRONMENTAL:

1. STORAGE : -40°C TO +85°C.
2. OPERATION: -40°C TO +85°C.
3. WAVE SOLDERING TEMPERATURE: 230°~250°(3~5 SECONDS)
4. ROHS COMPLIANT.

MATES WITH MODULAR PLUG CONFORMING TO
FCC PART 68, SUBPART F.
CUL FILE NO. E163191

PART NUMBER	GOLD PLATING	CONTACTS
E5386-E00212-L	6u"	6
E5388-E00212-L	6u"	8
E5388-E00213-L	15u"	8
E5388-E00214-L	30u"	8

DETACHED LISTS		Pulse A TECHNICAL COMPANY																	
<table border="1"> <tr> <th>(INCH)</th> <th>(MM)</th> </tr> <tr> <td>0 ± 0.2</td> <td>±</td> </tr> <tr> <td>.00 ± 0.15</td> <td>±</td> </tr> <tr> <td>.000 ± 0.075</td> <td>±</td> </tr> </table>	(INCH)	(MM)	0 ± 0.2	±	.00 ± 0.15	±	.000 ± 0.075	±	<table border="1"> <tr> <th>(INCH)</th> <th>(MM)</th> </tr> <tr> <td>0 ± 0.2</td> <td>±</td> </tr> <tr> <td>.00 ± 0.15</td> <td>±</td> </tr> <tr> <td>.000 ± 0.075</td> <td>±</td> </tr> </table>	(INCH)	(MM)	0 ± 0.2	±	.00 ± 0.15	±	.000 ± 0.075	±	<p>RoHS Compliant</p>	
(INCH)	(MM)																		
0 ± 0.2	±																		
.00 ± 0.15	±																		
.000 ± 0.075	±																		
(INCH)	(MM)																		
0 ± 0.2	±																		
.00 ± 0.15	±																		
.000 ± 0.075	±																		
DRTO: Jefi Chi	DATE: 06/28/06	<p>PULL RISE ELECTRONIC CO., LTD</p> <p>TITLE 11.5 SIDE ENTRY 8P FCC DEEP TYPE</p>																	
SCALE: 3 : 1		DRAWING NO. CE533096-01	SIZE A3																
		DO NOT SCALE DRAWING	REV 0																
			SHEET 1 OF 1																

8 7 6 5 4 3 2 1