

## Excellent Integrated System Limited

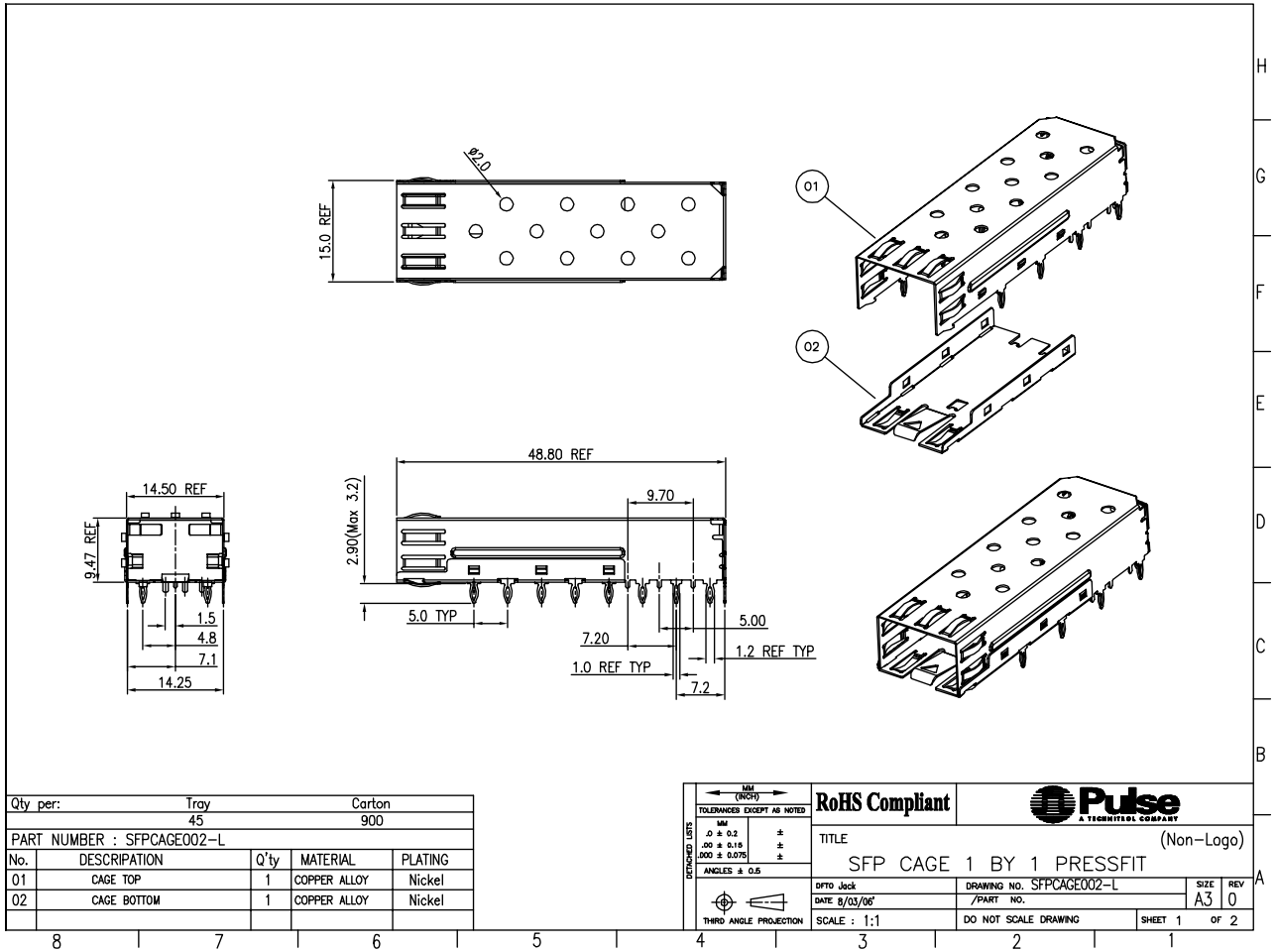
Stocking Distributor

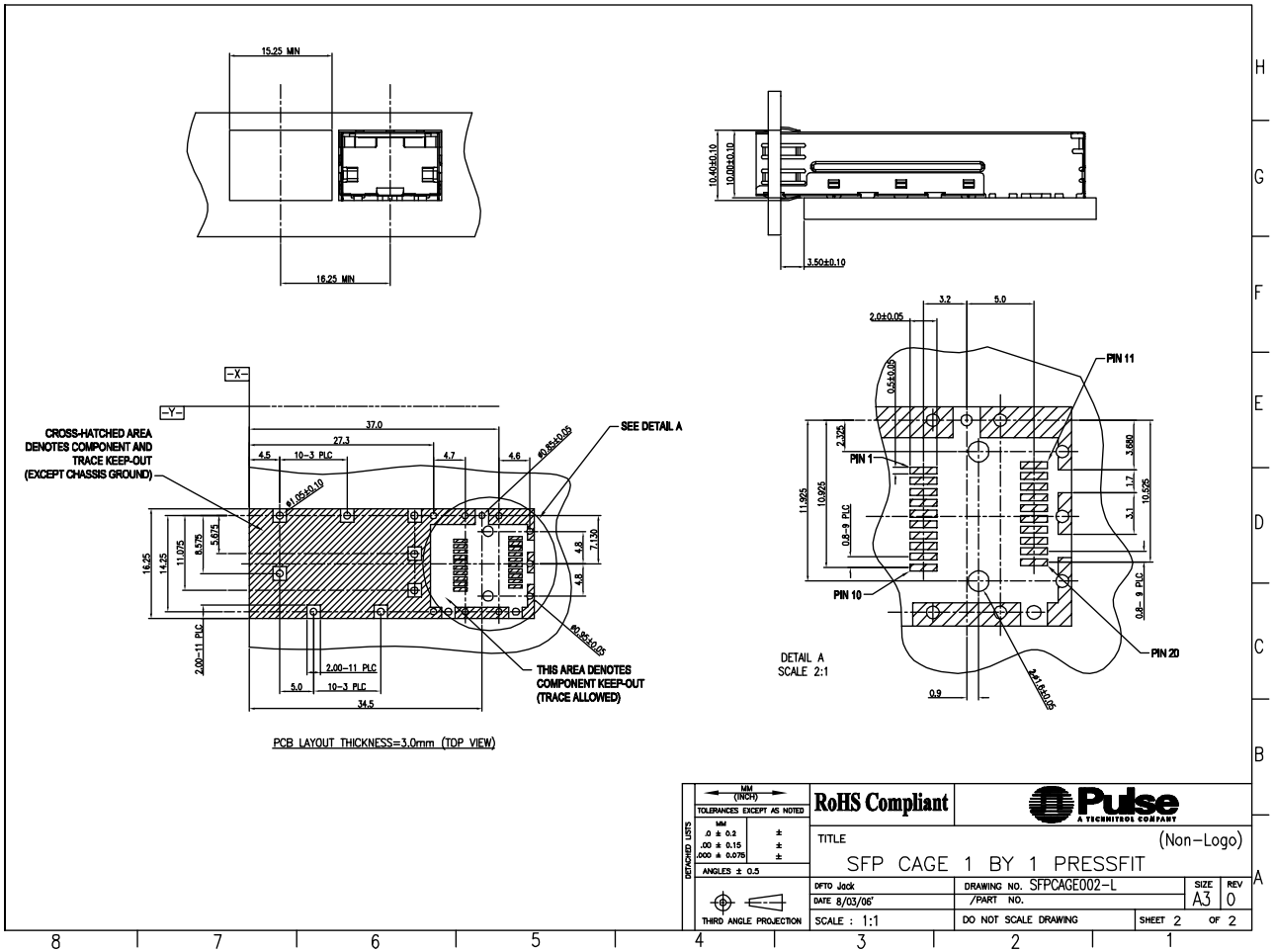
Click to view price, real time Inventory, Delivery & Lifecycle Information:

[Pulse Electronics Corporation](#)  
[SFPCAGE002-L](#)

For any questions, you can email us directly:

[sales@integrated-circuit.com](mailto:sales@integrated-circuit.com)





DETACHED LISTS THIRD ANGLE PROJECTION	MM (INCH) TOLERANCES EXCEPT AS NOTED .0 ± 0.2 ± .00 ± 0.15 ± .000 ± 0.075 ± ANGLES ± 0.5	<b>RoHS Compliant</b> <b>Pulse</b> A TECHNITRUS COMPANY	TITLE SFP CAGE 1 BY 1 PRESSFIT (Non-Logo)
	DFTD Jack DATE 8/03/06 SCALE : 1:1	DRAWING NO. SFP CAGE002-L /PART NO. DO NOT SCALE DRAWING	SIZE A3 REV 0

8 7 6 5 4 3 2 1

H  
G  
F  
E  
D  
C  
B  
A