

Excellent Integrated System Limited

Stocking Distributor

Click to view price, real time Inventory, Delivery & Lifecycle Information:

[Hirose Electric Co Ltd](#)
[ZX40-SLDB\(3.3\)](#)

For any questions, you can email us directly:

sales@integrated-circuit.com

2008/01/11 17:12:22 HK. HORINO

DRAWING FOR REFERENCE: This is subject to change without notice

COUNT	DESCRIPTION OF REVISIONS	BY	CHKD	DATE	COUNT	DESCRIPTION OF REVISIONS	BY	CHKD	DATE
△					△				
△					△				

APPLICABLE STANDARD		USB2.0 SPECIFICATION								
RATING	OPERATING TEMPERATURE RANGE	0 °C TO +50 °C				STORAGE TEMPERATURE RANGE	-20 °C TO +60 °C			
	VOLTAGE	-				OPERATING HUMIDITY RANGE	- % TO - %			
	CURRENT	-				APPLICABLE CABLE	USB CABLE (φ 3.3)			

SPECIFICATIONS

ITEM	TEST METHOD	REQUIREMENTS	QT	AT
CONSTRUCTION				
GENERAL EXAMINATION	VISUALLY AND BY MEASURING INSTRUMENT.	ACCORDING TO DRAWING.	×	×
MARKING	CONFIRMED VISUALLY.		×	×

REMARKS

REMARKS	DRAWN	DESIGNED	CHECKED	APPROVED	RELEASED
	<i>Y. Takeuchi</i> 06.11.17	<i>Y. Takeuchi</i> 06.11.17	<i>M. Kobayashi</i> 06.11.17	<i>[Signature]</i> 06.11.17	

Note QT:Qualification Test AT:Assurance Test ×:Applicable Test

HRS HIROSE ELECTRIC CO., LTD.	SPECIFICATION SHEET	PART NO. ZX40-SLDB(3.3)
--------------------------------------	---------------------	----------------------------

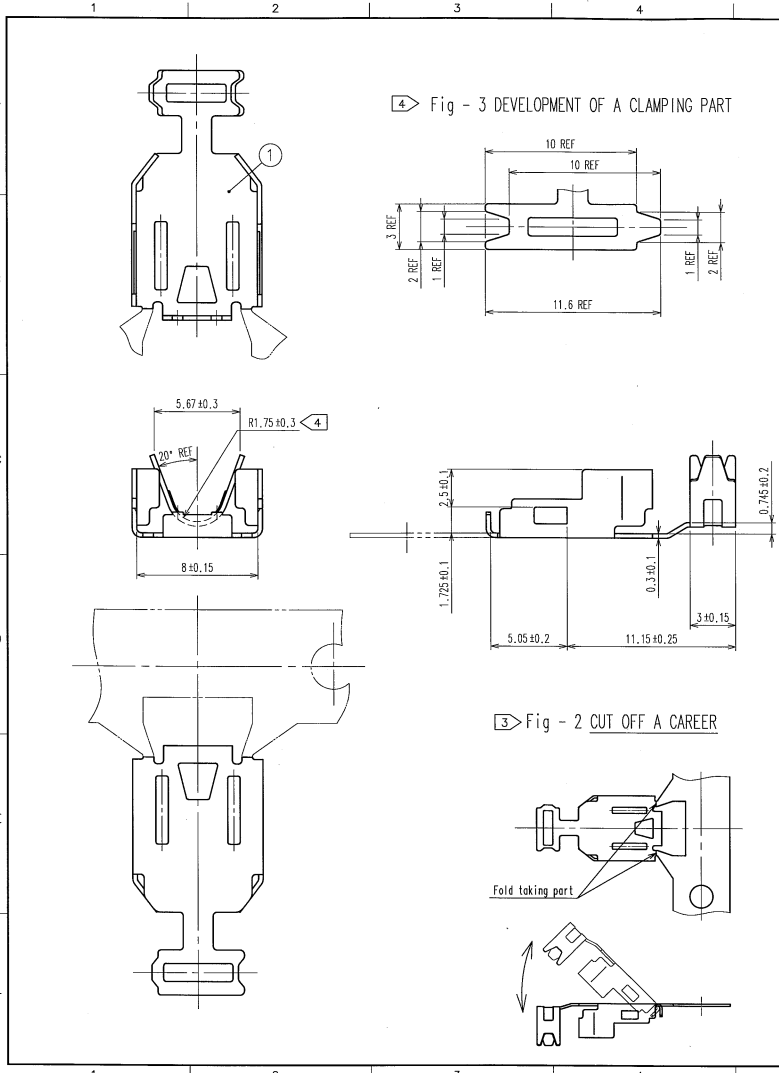
CODE NO.(OLD) CI	DRAWING NO. ELC4-126152	CODE NO. CI 242-0023-4	1/1
---------------------	----------------------------	---------------------------	-----

TO

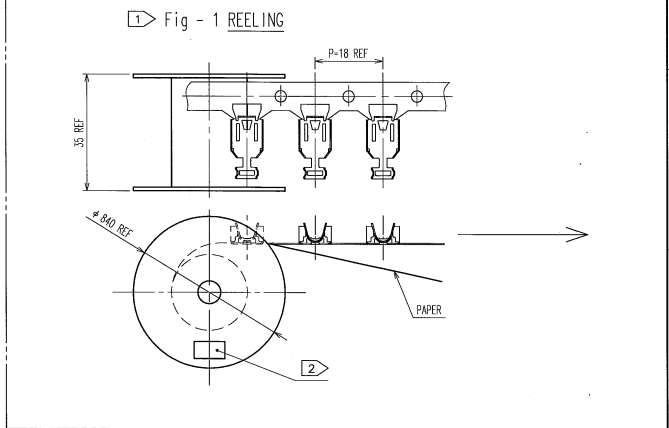
2009/01/11 17:12:23 HK.HORINO

DRAWING FOR REFERENCE: This is subject to change without notice

TO



COUNT	DESCRIPTION OF REVISIONS	BY	CHKD	DATE	COUNT	DESCRIPTION OF REVISIONS	BY	CHKD	DATE



- NOTES
- ① This is delivered by a reel .QTY:4000pcs
 - ② Shown on a reel and a box is ; * Part No. *, * Code No. *, * Lot No. *, * QTY *
 - ③ Cut off a career as shown in fig-2.
 - ④ This cable-clamping part is applied to φ 3.3mm cable.

CODE NO. (OLD)	DRAWN <i>Y. Takeuchi</i> 06.11.21	DESIGNED <i>Y. Takeuchi</i> 06.11.21	1 STAINLESS STEEL		FINISH, REMARKS
			NO.	MATERIAL	
SCALE 4 : 1	DRAWING NO. EDC3-126152		PART NO. ZX40-SLDB(3.3)		
UNITS (IT)	HRS HIROSE ELECTRIC CO., LTD		CODE NO. CL242-0023-4		1/1