

Excellent Integrated System Limited

Stocking Distributor

Click to view price, real time Inventory, Delivery & Lifecycle Information:

[Molex Connector Corporation](#)
[5016471000](#)

For any questions, you can email us directly:

sales@integrated-circuit.com

10 9 8 7 6 5 4 3 2 1

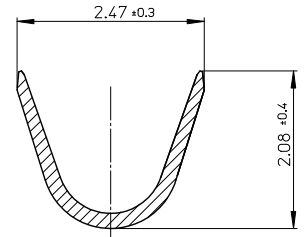
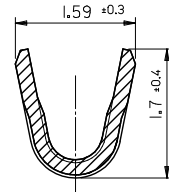
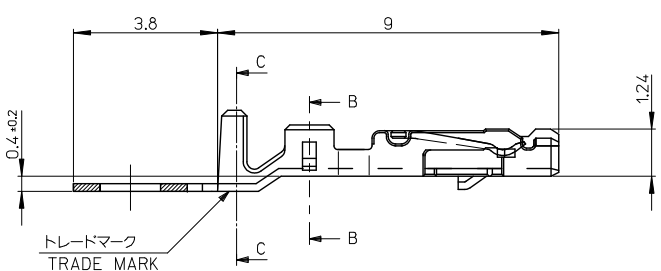
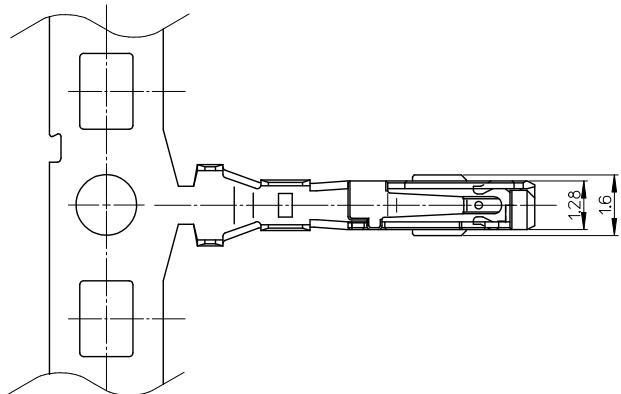
注記
NOTES

1. 使用材料 : 銅合金, 鍍メッキ (t=0.2)
MATERIAL : REFLOWED TIN COPPER ALLOY
2. 適合ハウジング : 501646 シリーズ
APPLICABLE HOUSING : 501646 SERIES
3. 電線仕様
CABLE SPEC.
AWG : #22~26
適用電線範囲 : 0.126~0.34mm²
WIRE RANGE
被覆外形 : $\phi 0.95 \sim \phi 1.5\text{mm}$
INS. RANGE

4. 嵌合相手 MATES WITH

PLUG ST HEADER (TIN PLATING)	501645 SERIES
PLUG R/A HEADER (TIN PLATING)	501876 SERIES

5. ELV 及び RoHS 適合品
ELV AND RoHS COMPLIANT.



501647-1100	バラ状 LOOSE
501647-1000	連鎖状 CHAIN
MATERIAL NO.	端子形状 FORM

REVISED EC NO: J2017-0032 DRAWN BY: DRWNAIDA 2016/07/04 CHECKED BY: CHIKO-SAKIYAMA 2016/07/04 APPROVED BY: APPR:IKANEKO 2016/07/12 DESCRIPTION:	GENERAL TOLERANCES (UNLESS SPECIFIED)		DIMENSION STYLE		SCALE	DESIGN UNITS	THIRD ANGLE PROJECTION		
	0.25 UNDER	UNDER	±0.03	MM ONLY		10:1	METRIC	◎ □	
	0.25 OVER	0.5 UNDER	±0.05	DRAWN BY	DATE	TITLE			
	0.5 OVER	1.0 UNDER	±0.1	N. ITO	'05/07/04	IGRID 2.0MM W/B DUAL RCPT TERM AWG #22 - 26			
	1.0 OVER	10 UNDER	±0.2	CHECKED BY	DATE				
10 OVER	30 UNDER	±0.25	ASAKAWA	'05/07/04					
30 OVER		±0.3	APPROVED BY	DATE	MATERIAL NO.		DOCUMENT NO.	SHEET NO.	
ANGULAR	±1 °		ICHIKAWA	'05/07/04	501647-1*00		SD-501647-001	1 OF 1	
DRAFT WHERE APPLICABLE MUST REMAIN WITHIN DIMENSIONS			SIZE	THIS DRAWING CONTAINS INFORMATION THAT IS PROPRIETARY TO MOLEX ELECTRONIC TECHNOLOGIES, LLC AND SHOULD NOT BE USED WITHOUT WRITTEN PERMISSION					
			A3						

9 8 7 6 5 4 3 2 1