

Excellent Integrated System Limited

Stocking Distributor

Click to view price, real time Inventory, Delivery & Lifecycle Information:

[Molex Connector Corporation](#)
[74441-0007](#)

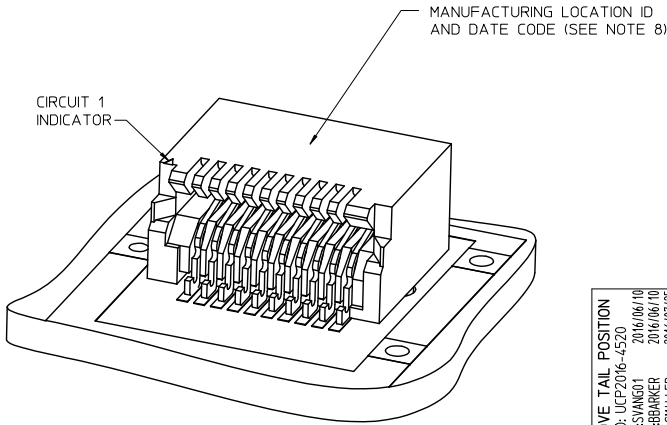
For any questions, you can email us directly:

sales@integrated-circuit.com

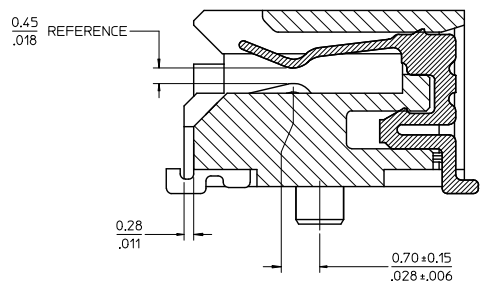
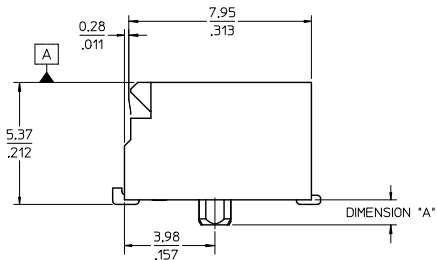
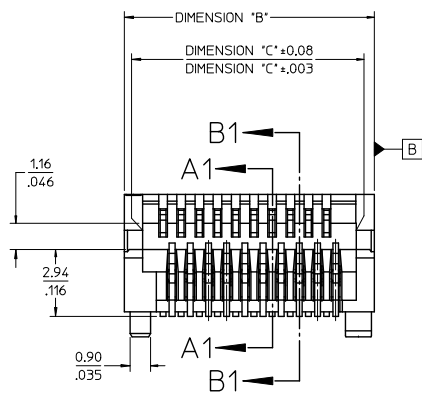
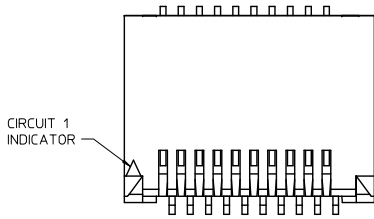
CKT SIZE	PART NUMBER	TOOLED	DESCRIPTION	DIMENSIONS				MULTI-SOURCE AGREEMENT	CIRCUIT BOARD LAYOUT
				'A'	'B'	'C'	'D'		
20	74441-0001	YES	PLATED PER NOTE 2	1.10/.043	11.00/.433	9.40/.370	9.60/.378	SFP	SEE SHEET 3
	74441-0004	NO*	PLATED PER NOTE 2	0.76/.030					
	74441-0010	YES	PLATED PER NOTE 3	1.10/.043					
	74441-0014	NO*	PLATED PER NOTE 3	0.76/.030					
	74441-0031	YES	PLATED PER NOTE 4	1.10/.043					
30	74441-0041	YES	PLATED PER NOTE 5	1.10/.043	15.00/.591	13.40/.528	13.60/.535	XFP	SEE SHEET 4
	74441-0007	YES	PLATED PER NOTE 2	1.10/.043					
	74441-0017	YES	PLATED PER NOTE 3	1.10/.043					
40	74441-0037	YES	PLATED PER NOTE 4	1.10/.043	19.00/.748	17.40/.685	17.60/.693		SEE SHEET 5
	74441-0005	YES	PLATED PER NOTE 2	1.10/.043					
	74441-0015	YES	PLATED PER NOTE 3	1.10/.043					
50	74441-0035	YES	PLATED PER NOTE 4	1.10/.043	23.00/.906	21.40/.843	21.60/.850		SEE SHEET 6
	74441-0008	YES	PLATED PER NOTE 2	1.10/.043					
	74441-0018	YES	PLATED PER NOTE 3	1.10/.043					
70	74441-0038	YES	PLATED PER NOTE 5	1.10/.043	31.00/1.220	29.40/1.157	29.60/1.165	XENPAK XPAK X2	SEE SHEET 7
	74441-0003	YES	PLATED PER NOTE 2	1.10/.043					
	74441-0013	YES	PLATED PER NOTE 3	1.10/.043					
	74441-0033	YES	PLATED PER NOTE 4	1.10/.043					

NOTES

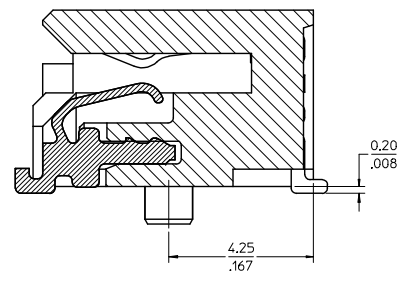
- MATERIAL:**
HOUSING - HIGH TEMPERATURE THERMOPLASTIC GLASS FILLED, UL 94V-0, BLACK
TERMINALS - COPPER ALLOY
- PLATING (SEE TABLE):**
CONTACT AREA - 0.38 MICROMETER MINIMUM GOLD OVER NICKEL
SOLDER FOOT AREA - 2.54 MICROMETER MINIMUM TIN OVER NICKEL
- PLATING (SEE TABLE):**
CONTACT AREA - 0.76 MICROMETER MINIMUM GOLD OVER NICKEL
SOLDER AREA - 2.54 MICROMETER MINIMUM TIN OVER NICKEL
- PLATING (SEE TABLE):**
CONTACT AREA - 0.76 MICROMETER MINIMUM GOLD OVER 2.54 MICROMETERS MINIMUM NICKEL.
SOLDER AREA: GOLD FLASH OVER NICKEL.
- PLATING (SEE TABLE):**
CONTACT AREA - 0.38 MICROMETER MINIMUM GOLD OVER NICKEL.
SOLDER AREA: GOLD FLASH OVER NICKEL.
- SOLDER FEET COPLANAR WITHIN 0.10/.004 FOR 20, 30 AND 40 CIRCUIT CONNECTORS, WITHIN 0.15/.006 FOR 50 AND 70 CIRCUIT CONNECTORS
- * CONTACT PLANT FOR MORE INFORMATION
- DATE CODE: 4 DIGIT (3 DIGIT DAY, 1 DIGIT YEAR)
- THE CIRCUIT 1 INDICATOR MAY VARY IN SIZE AND APPEARANCE.



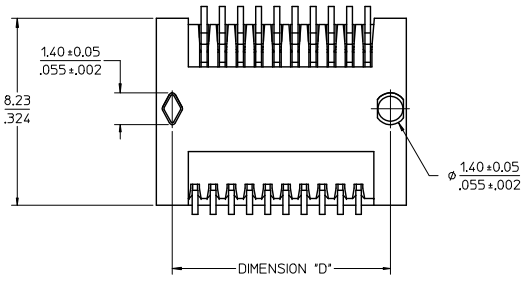
REMOVE TAIL POSITION EC NO: UCP2016-4520 DRWNSWANG01 2016/06/10 CHKQBANKER 2016/06/10 APPR:SMILLER 2016/07/25	QUALITY SYMBOLS ▽=0 ▽=0 ▽=0	GENERAL TOLERANCES (UNLESS SPECIFIED)		DIMENSION STYLE		SCALE	DESIGN UNITS	THIRD ANGLE PROJECTION		
				MM/IN		1:1	METRIC			
		4 PLACES ±	±	DRAWN BY	DATE	TITLE				
		3 PLACES ±	±	HAVERY	00/04/06	SALES ASSEMBLY Z AXIS PLUGGABLE PCB CONNECTOR molex				
2 PLACES ±	±	CHECKED BY	DATE							
1 PLACE ±	±	KSWEENEY	00/04/06							
0 PLACE ±	±	APPROVED BY	DATE							
		MBANAK I S	00/04/06	MATERIAL NO.	DOCUMENT NO.	SHEET NO.				
				SEE TABLE	SD-74441-001	1 OF 7				
DRAFT WHERE APPLICABLE MUST REMAIN WITHIN DIMENSIONS										
THIS DRAWING CONTAINS INFORMATION THAT IS PROPRIETARY TO MOLEX INCORPORATED AND SHOULD NOT BE USED WITHOUT WRITTEN PERMISSION										



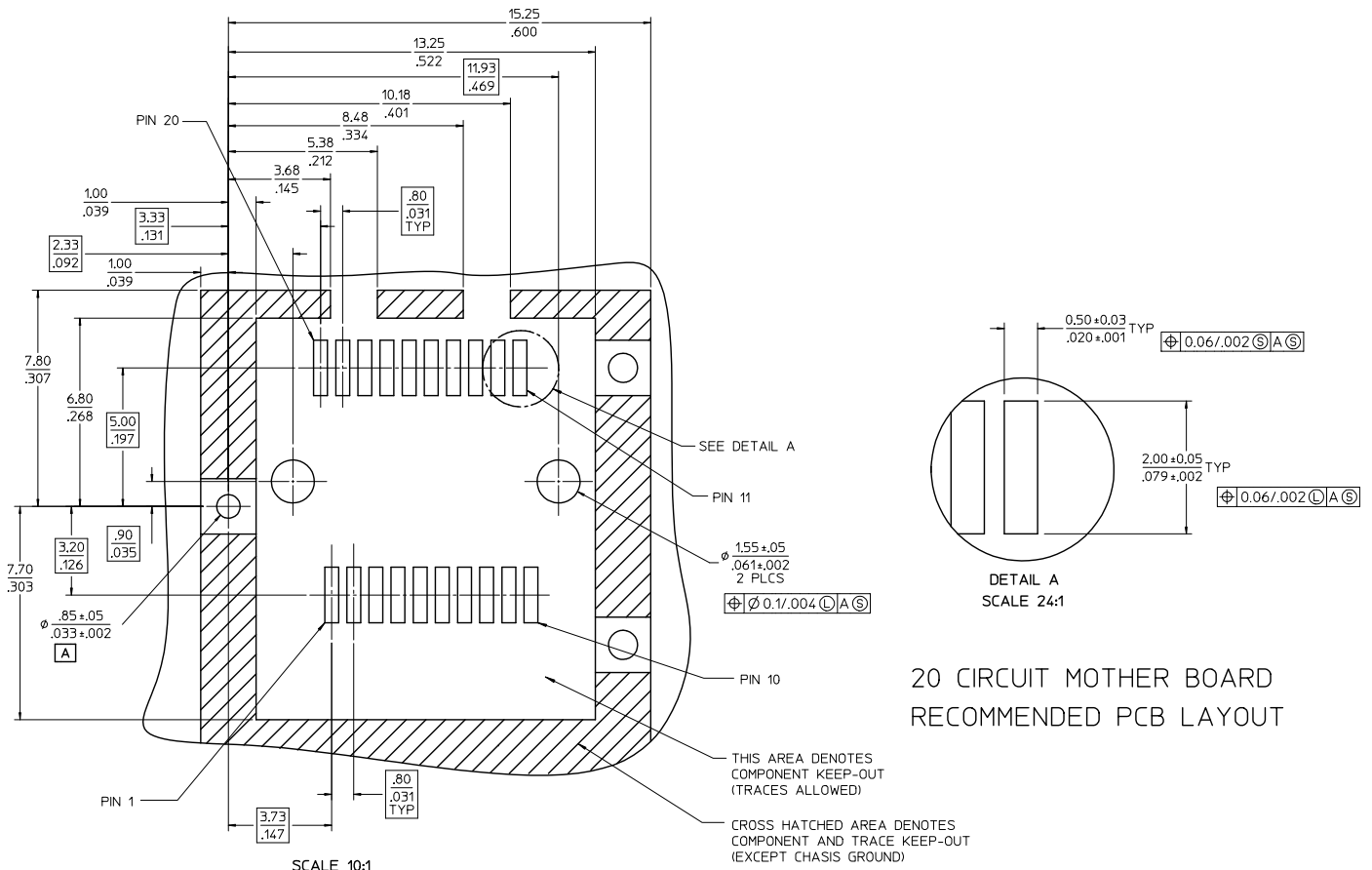
SECTION A1-A1
SCALE 12:1



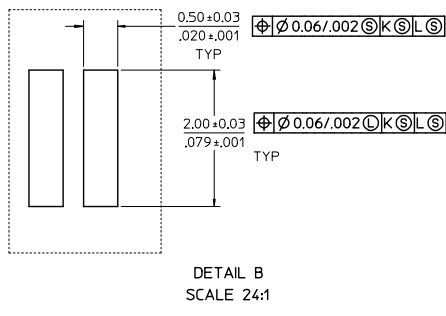
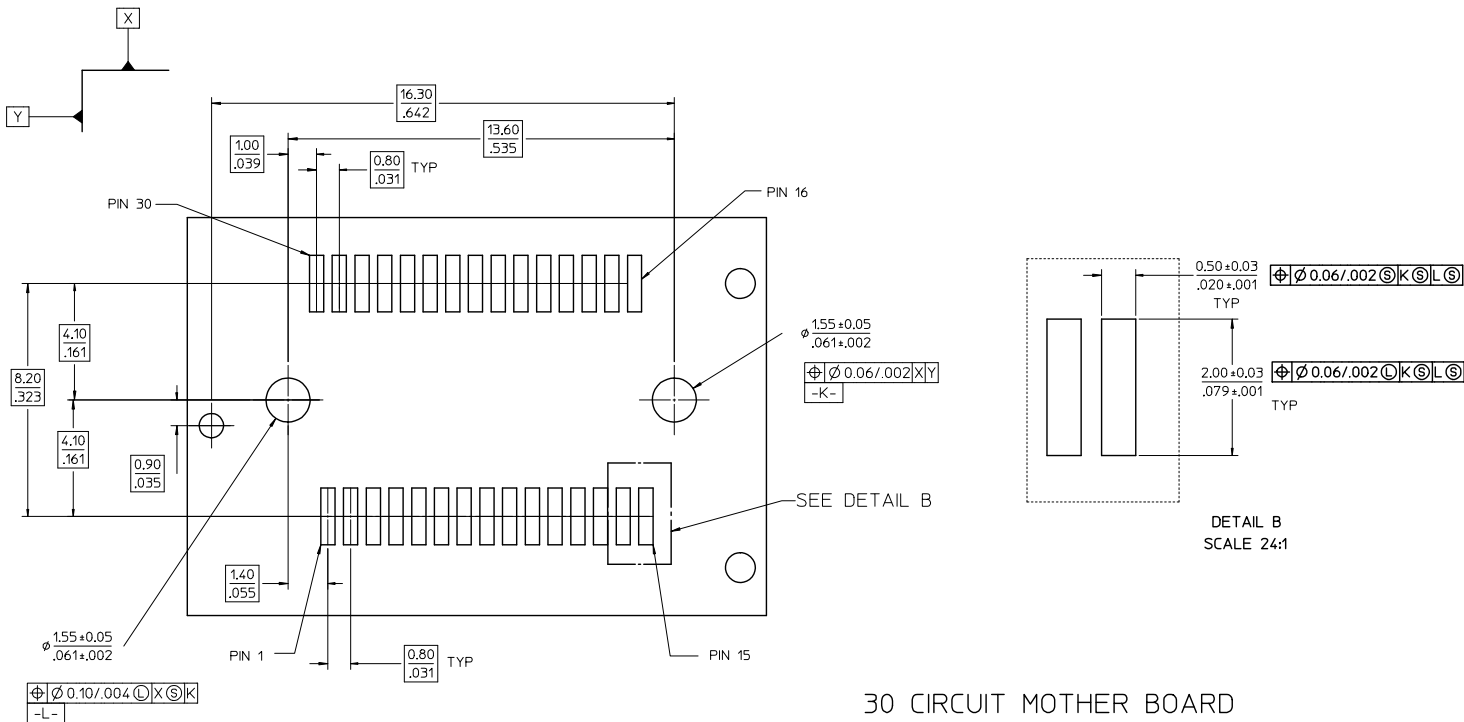
SECTION B1-B1
SCALE 12:1



SEE SHEET 1 EC NO: UCP2016-4520 DRAWN BY: 2016/06/10 CHKDR: 2016/06/10 APPR: 2016/07/25	QUALITY SYMBOLS ∇=0 ∇=0 ∇=0	GENERAL TOLERANCES (UNLESS SPECIFIED)		DIMENSION STYLE		SCALE 6:1	DESIGN UNITS METRIC	THIRD ANGLE PROJECTION
		4 PLACES ± --- ± --- 3 PLACES ± --- ± .005 2 PLACES ± 0.13 ± .010 1 PLACE ± 0.25 ± --- 0 PLACE ± ±	mm INCH	DRAWN BY: HAVERY CHECKED BY: KSWENEY APPROVED BY: MBANAKIS	DATE: 00/04/06 DATE: 00/04/06 DATE: 00/04/06	TITLE: SALES ASSEMBLY Z AXIS PLUGGABLE PCB CONNECTOR	MATERIAL NO. SEE TBL. SHT 1	DOCUMENT NO. SD-74441-001
DRAFT WHERE APPLICABLE MUST REMAIN WITHIN DIMENSIONS		THIS DRAWING CONTAINS INFORMATION THAT IS PROPRIETARY TO MOLEX INCORPORATED AND SHOULD NOT BE USED WITHOUT WRITTEN PERMISSION						

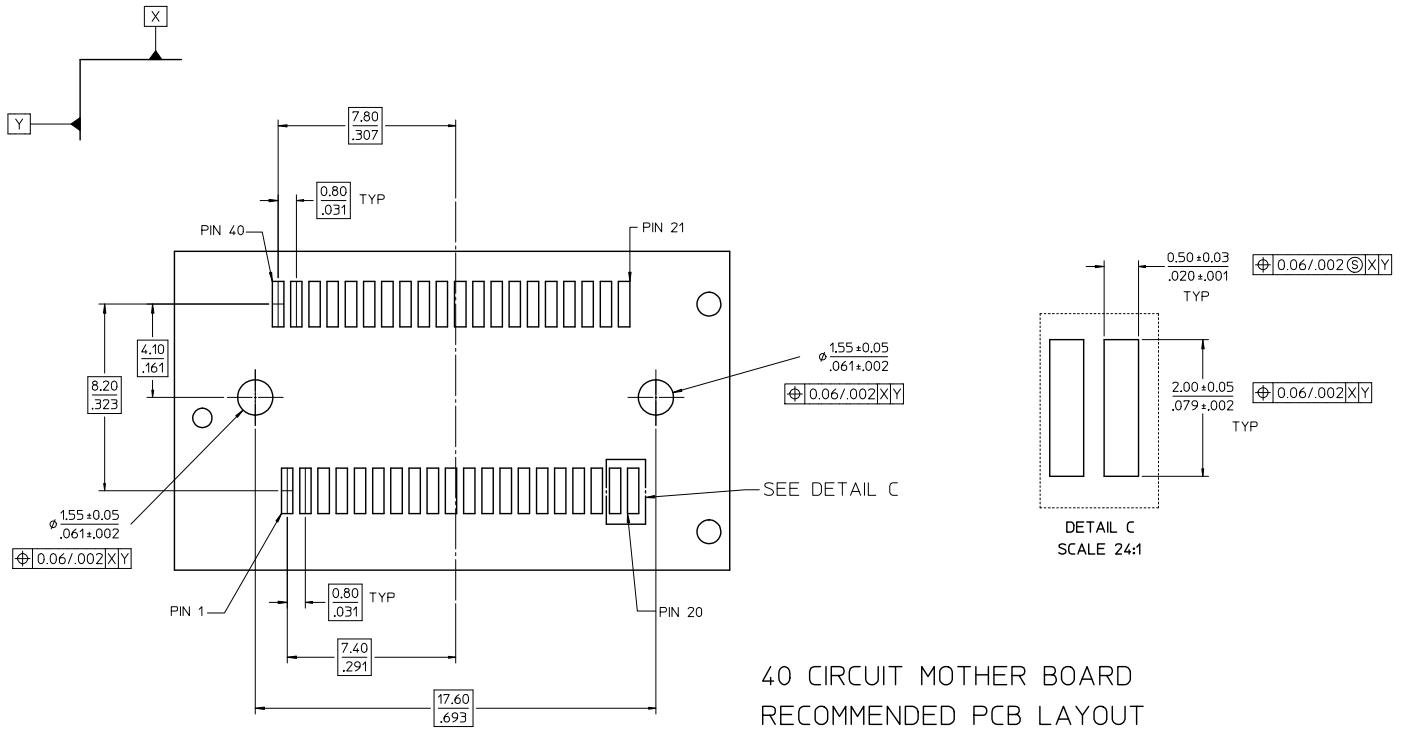


SEE SHEET 1 EC NO: UCP2016-4520 DRAWING NO: 2016/06/10 CHK: KBARKER APPR: SMILLER 2016/07/25	QUALITY SYMBOLS 	GENERAL TOLERANCES (UNLESS SPECIFIED)		DIMENSION STYLE		SCALE	DESIGN UNITS	THIRD ANGLE PROJECTION	
		mm	INCH	MM/IN		8:1	METRIC		
DESCRIPTION REV	4 PLACES ± --- ± ---	DRAWN BY	DATE		TITLE SALES ASSEMBLY Z AXIS PLUGGABLE PCB CONNECTOR molex MATERIAL NO. SEE TBL. SHT 1 DOCUMENT NO. SD-74441-001 SHEET NO. 3 OF 7				
	3 PLACES ± --- ± .005	HAVERY	00/04/06						
	2 PLACES ± 0.13 ± .010	CHECKED BY	DATE						
	1 PLACE ± 0.25 ± ---	KSWENEY	00/04/06						
0 PLACE ± ±	APPROVED BY	DATE							
	MBANAKIS	00/04/06							
ANGULAR ±1/2°									
DRAFT WHERE APPLICABLE MUST REMAIN WITHIN DIMENSIONS									
SIZE C		THIS DRAWING CONTAINS INFORMATION THAT IS PROPRIETARY TO MOLEX INCORPORATED AND SHOULD NOT BE USED WITHOUT WRITTEN PERMISSION							



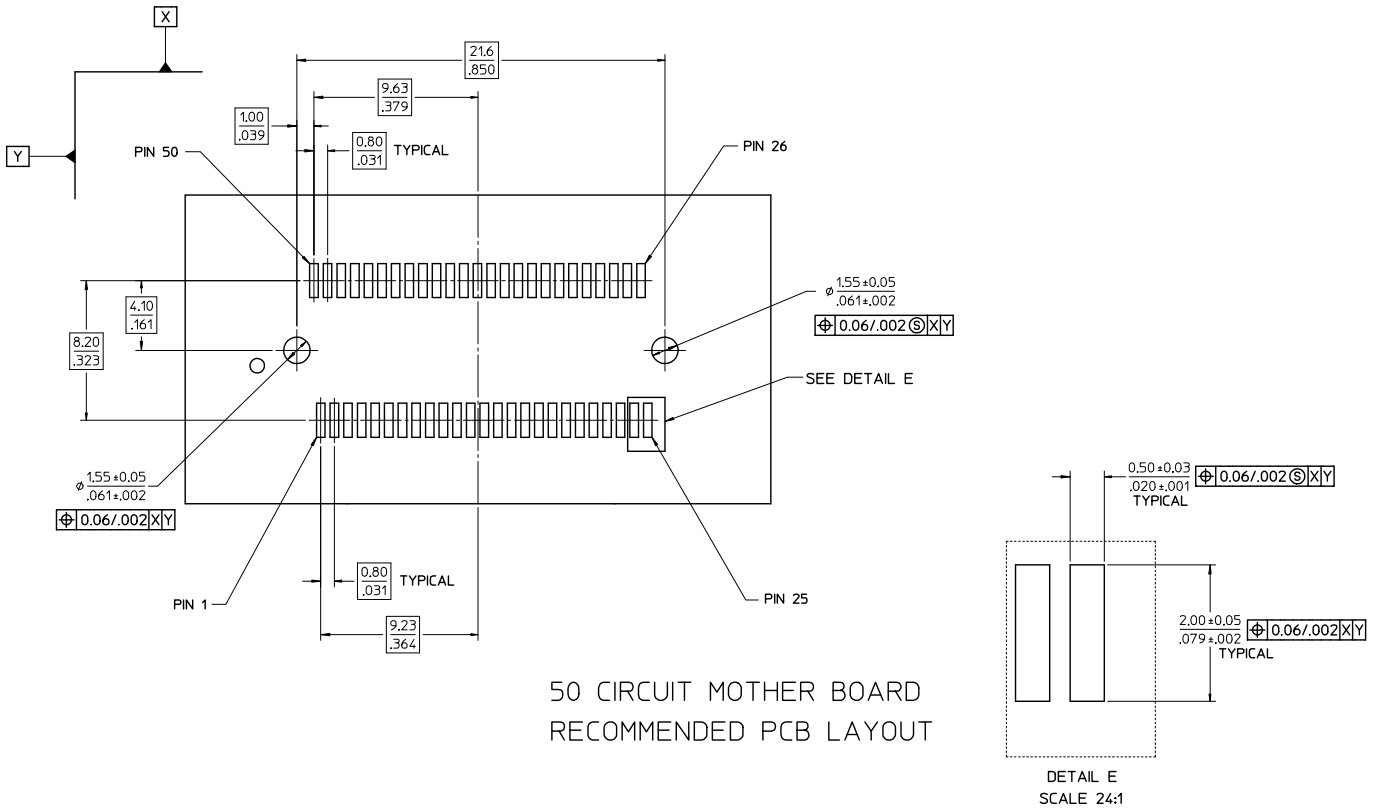
30 CIRCUIT MOTHER BOARD
RECOMMENDED PCB LAYOUT

SEE SHEET 1 EC NO: UCP2016-4520 DRAWN BY: 2016/06/10 CHK: DRW: 2016/06/10 APPR: 2016/07/25	QUALITY SYMBOLS ▽=0 ▽=0 ▽=0	GENERAL TOLERANCES (UNLESS SPECIFIED)		DIMENSION STYLE		SCALE	DESIGN UNITS	THIRD ANGLE PROJECTION		
		mm	INCH	MM/IN		6:1	METRIC			
		4 PLACES ±---	±---	DRAWN BY	DATE	TITLE				
		3 PLACES ±---	±.005	HAVERY	00/04/06	SALES ASSEMBLY Z AXIS PLUGGABLE PCB CONNECTOR				
		2 PLACES ±0.13	±.010	CHECKED BY	DATE	molex DOCUMENT NO. SD-74441-001 SHEET NO. 4 OF 7				
		1 PLACE ±0.25	±---	KSWEENEY	00/04/06					
		0 PLACE ±	±	APPROVED BY	DATE					
				MBANAK I S	00/04/06					
		ANGULAR ±1/2°		MATERIAL NO.		DOCUMENT NO.				
		DRAFT WHERE APPLICABLE MUST REMAIN WITHIN DIMENSIONS		SEE TBL, SHT 1		SD-74441-001		4 OF 7		
		THIS DRAWING CONTAINS INFORMATION THAT IS PROPRIETARY TO MOLEX INCORPORATED AND SHOULD NOT BE USED WITHOUT WRITTEN PERMISSION								

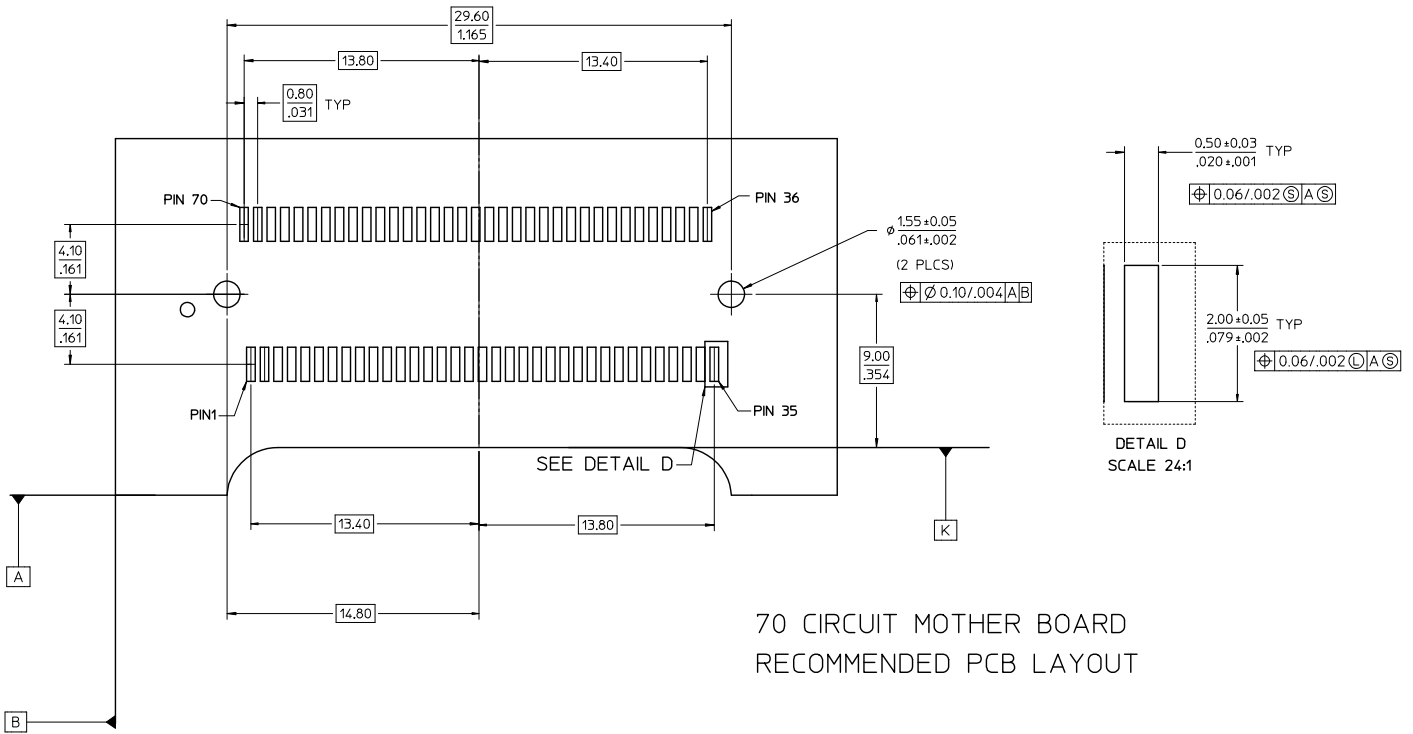


40 CIRCUIT MOTHER BOARD
RECOMMENDED PCB LAYOUT

SEE SHEET 1 EC NO: UCP2016-4520 DRAWN BY: 2016/06/10 CHK: BARKER 2016/06/10 APPR: MILLER 2016/07/25 Y	QUALITY SYMBOLS ✓=0 △=0 ○=0	GENERAL TOLERANCES (UNLESS SPECIFIED)		DIMENSION STYLE MM/IN		SCALE 6:1	DESIGN UNITS METRIC	THIRD ANGLE PROJECTION		
		4 PLACES ± --- ± ---	3 PLACES ± --- ± .005	DRAWN BY HAVERY	DATE 00/04/06	TITLE SALES ASSEMBLY Z AXIS PLUGGABLE PCB CONNECTOR				
		2 PLACES ± 0.13 ± .010	1 PLACE ± 0.25 ± ---	CHECKED BY KSWEENEY	DATE 00/04/06	APPROVED BY MBANAK I S				
		0 PLACE ± --- ± ---	ANGULAR ± 1/2°	MATERIAL NO. SEE TBL. SHT 1	DATE 00/04/06	DOCUMENT NO. SD-74441-001	SHEET NO. 5 OF 7			
DRAFT WHERE APPLICABLE MUST REMAIN WITHIN DIMENSIONS		THIS DRAWING CONTAINS INFORMATION THAT IS PROPRIETARY TO MOLEX INCORPORATED AND SHOULD NOT BE USED WITHOUT WRITTEN PERMISSION								



SEE SHEET 1 EC NO: UCP2016-4520 DRAWN BY: 2016/06/10 CHKD BY: 2016/06/10 APPR: SMILLER 2016/07/25 Y	QUALITY SYMBOLS ∇=0 ∇=0 ∇=0	GENERAL TOLERANCES (UNLESS SPECIFIED)		DIMENSION STYLE MM/IN		SCALE 6:1	DESIGN UNITS METRIC	THIRD ANGLE PROJECTION		
			mm	INCH	DRAWN BY	DATE	TITLE			
		4 PLACES	±---	±---	HAVERY	00/04/06	SALES ASSEMBLY			
		3 PLACES	±---	±.005	CHECKED BY	DATE	Z AXIS PLUGGABLE			
	2 PLACES	±0.13	±.010	KSWEENEY	00/04/06	PCB CONNECTOR				
	1 PLACE	±0.25	±---	APPROVED BY	DATE	molex DOCUMENT NO. SD-74441-001 SHEET NO. 6 OF 7				
	0 PLACE	±	±	MBANAK I S	00/04/06					
DRAFT WHERE APPLICABLE MUST REMAIN WITHIN DIMENSIONS		ANGULAR ±1/2°		MATERIAL NO. SEE TBL. SHT 1						
THIS DRAWING CONTAINS INFORMATION THAT IS PROPRIETARY TO MOLEX INCORPORATED AND SHOULD NOT BE USED WITHOUT WRITTEN PERMISSION										



70 CIRCUIT MOTHER BOARD
RECOMMENDED PCB LAYOUT

SEE SHEET 1 EC NO: UCP2016-4520 DRAWN BY: 2016/06/10 CHKDR: 2016/06/10 APPR: MILLER 2016/07/23	QUALITY SYMBOLS ∇=0 ∇=0 ∇=0	GENERAL TOLERANCES (UNLESS SPECIFIED)		DIMENSION STYLE		SCALE	DESIGN UNITS	THIRD ANGLE PROJECTION		
		mm	INCH	MM/IN		6:1	METRIC			
		4 PLACES ±	---	---	---	DRAWN BY	DATE	TITLE		
		3 PLACES ±	---	---	---	CHECKED BY	DATE	SALES ASSEMBLY Z AXIS PLUGGABLE PCB CONNECTOR		
		2 PLACES ±	0.13	±	0.10	APPROVED BY	DATE	molex		
		1 PLACE ±	0.25	±	---	MBANAKIS	00/04/06	DOCUMENT NO.		
		0 PLACE ±	---	±	---			SD-74441-001		
		ANGULAR ±1/2°		MATERIAL NO.		DOCUMENT NO.		SHEET NO.		
		DRAFT WHERE APPLICABLE MUST REMAIN WITHIN DIMENSIONS		SEE TBL. SHT 1		SD-74441-001		7 OF 7		
				THIS DRAWING CONTAINS INFORMATION THAT IS PROPRIETARY TO MOLEX INCORPORATED AND SHOULD NOT BE USED WITHOUT WRITTEN PERMISSION						