

Excellent Integrated System Limited

Stocking Distributor

Click to view price, real time Inventory, Delivery & Lifecycle Information:

[Amphenol Pcd](#)
[ELFB13230](#)

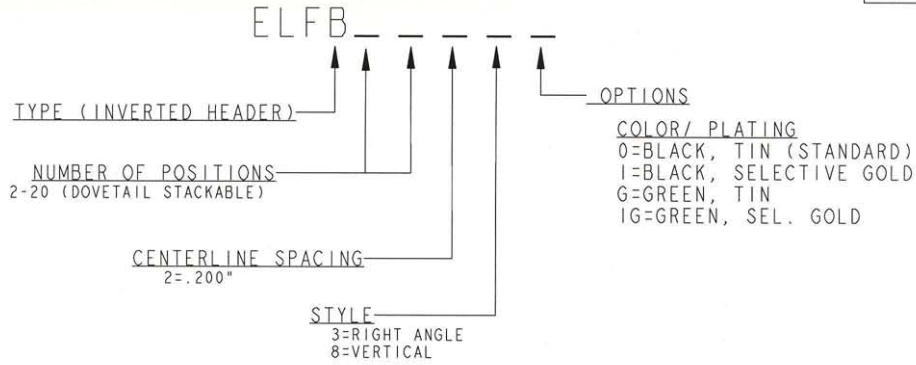
For any questions, you can email us directly:

sales@integrated-circuit.com



ELFB SERIES PART NUMBERING SCHEME

REV	ECN	APP'D
-	4501	10 10-31-01
A	5742	AN 12/28/05



CONSULT PCD FOR PART NO. AND AVAILABILITY OF FOLLOWING OPTIONS:
 *CUSTOM COLORS *CUSTOM KEYING
 *CUSTOM MARKING *NUMBER OF POSITIONS 21-24

RU
 RATINGS
 CURRENT - 15A
 VOLTAGE - 300V
 U.L. FILE NO. PENDING

SP
 RATINGS
 CURRENT - 15 A
 VOLTAGE - 300 V
 CSA FILE NO. PENDING

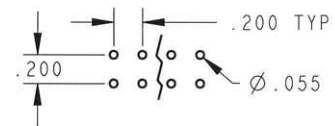
DIN VDE 0627:1986
 DIN VDE 0110-1:1989
 EN 60947-1:1991
 EN 60947-7-1:1992
 CURRENT - 15 A
 VOLTAGE - 300 V
 TUV FILE NO. PENDING

MATERIALS:
 HOUSING: NYLON 46, UL 94 V-0; HIGH TEMP.
 CONTACT: PHOSPHOR BRONZE, TIN FINISH

MAX OPERATING TEMP: 125°C

NOTE:
 HIGH TEMP. MATERIAL WILL WITHSTAND COMPONENT
 EQUILIBRIUM TEMPERATURES OF 260°C FOR
 3 MINUTES DURING THE SOLDERING PROCESS

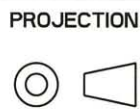
PRINTED CIRCUIT BOARD CONFIGURATION



RECOMMENDED PCB THICKNESS: .062±.008

DIMENSIONS
 ANSI Y14.5M
 UNITS: INCHES
 Pro/E FILE

TOLERANCES
 .XX ±0.01
 .XXX ±0.005
 ANGLES ±2.0°



Amphenol Pcd

ENGR

C. LASHUA 5/21/01

TITLE

ELFB SERIES
 INVERTED HEADER

ORIGINAL
 STAMPED
 IN RED

THIS DOCUMENT CONTAINS
 PROPRIETARY INFORMATION WHICH
 IS THE CONFIDENTIAL PROPERTY
 OF AMPHENOL PCD, INC.
 PEABODY, MA, USA

CHKD

ALAN PATRIE 10-30-01

APPD

10 10-31-01

SIZE

A

DWG NO.

ELFB02230

REV

A

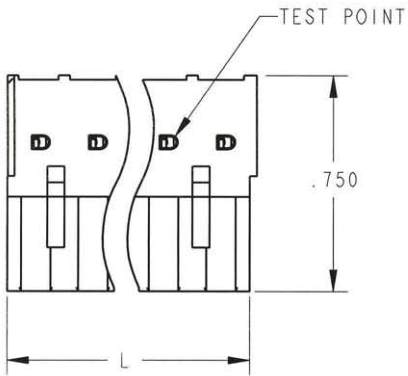
CODE: 58982

SCALE: NONE

SHEET 1 OF 2

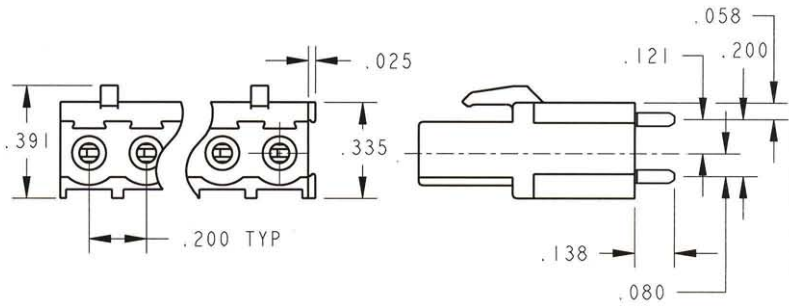
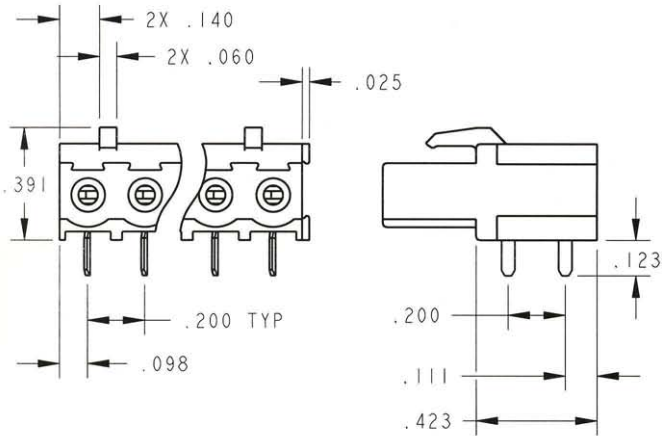
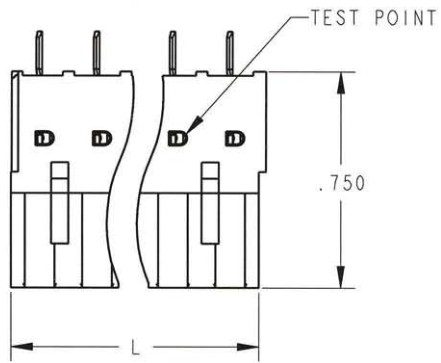
RIGHT ANGLE

L=NUM OF POS X .200



VERTICAL

L=NUM OF POS X .200



SIZE	DWG NO.	REV
A	ELFB02230	A
CODE: 58982	SCALE: NONE	SHEET 2 OF 2