

Excellent Integrated System Limited

Stocking Distributor

Click to view price, real time Inventory, Delivery & Lifecycle Information:

[Apem Inc.](#)
[HB110C4NBBR](#)

For any questions, you can email us directly:
sales@integrated-circuit.com

New! HB SERIES SNAP-IN ROCKER SWITCHES

FEATURES

- Soft light or standard illuminated and non-illuminated models.
- Single pole maintained action models with splash protection per IP42.
- Actuator and case color selections.
- Standard actuator marking options with optional visible (visi) rocker 'ON' indication.

SPECIFICATIONS

Contact ratings:	20A 125VAC or 16A 250VAC (UL/CSA) 3/4 HP 125VAC or 250VAC (UL/CSA) 6A 125VL (UL) 16(4)A 250VAC~ μT85 (VDE, SEMCO, DEMCO, NEMCO, FEMKO, SEV)
Initial contact resistance:	20 milliohms max.
Insulation resistance:	100 megohms min. at 500 V
Dielectric strength:	1000 VAC for 1 minute
Electrical life:	10,000 cycles at full load
Operating temperature range:	-20°C to 85°C

MATERIALS

Contacts:	Silver cadmium alloy	Lamps:	Neon or fluorescent.
Terminals:	Silver plated copper		
Actuator:	Nylon, type 66 or PC (UL94V-2 min.)		
Case:	Nylon, type 66 (UL94V-2 min.)		

AGENCY RECOGNITION



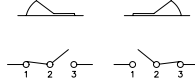
UL, CSA, VDE, SEMKO, NEMKO, DEMKO, FEMKO, & SEV. Models are supplied with agency markings.

Quick connect terminals - non-illuminated - with visi rocker

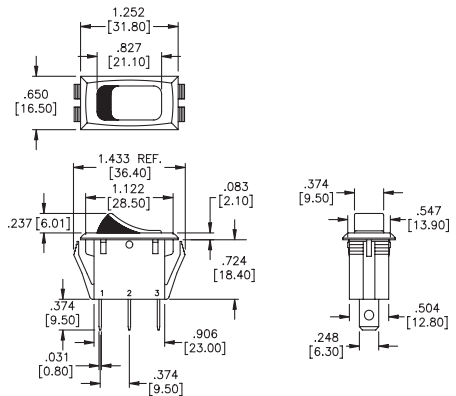


MODEL NO.	CIRCUIT
HB110C2NBBRW	ON OFF
HB120C2NBBRW	ON ON
HB130C2NBBRW	ON OFF ON

Above models have black actuator.



Max. panel thickness: .083 [2.10]



SPECIFICATIONS SUBJECT TO CHANGE WITHOUT NOTICE

N

New! HB SERIES SNAP-IN ROCKER SWITCHES

Additional ordering information: Commonly ordered models are shown above with complete model numbers and specifications. Below is an order format that enables you to 'build your own switch' and specify the correct switch model number by simply selecting from all available options shown and filling in the boxes.

'BUILD YOUR OWN SWITCH' ORDER FORMAT

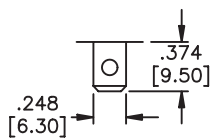
Fill in boxes with selections shown for complete model number.
 Allowable options are shown below each respective box.
 Note 'NONE' indicates box may be left empty.

Series	Number of poles	Electrical functions	Terminals	Actuator type	Actuator marking
<input type="text" value="H"/> <input type="text" value="B"/>	<input type="text" value="1"/>	<input type="text"/>	<input type="text" value="0"/>	<input type="text" value="C"/>	<input type="text"/>
	Single pole	1 ON OFF 2 ON ON 3 ON OFF ON	Quick connect	Curved rocker	1 HI LO 2 No marking 3 ON OFF (vertical) 4 O I 5 O — 6 ON OFF (horizontal)
Illumination	Case color	Actuator color	Actuator style	Sealing	
<input type="text"/>	<input type="text"/>	<input type="text"/>	<input type="text"/>	<input type="text"/>	
N No illum. L Illuminated	A Gray B Black C Brown R Red W White	A Gray B Black C Brown G Green O Orange R Red W White Y Yellow	R Red (visi rocker) N No visi rocker Note: R not available with illumination.	(NONE) W Splash protected -case is designed to conduct moisture drops outside the switch case and away from the contact mechanism (available on non-illuminated models only).	

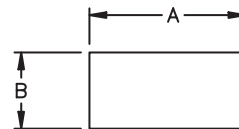
Example of completely specified model number:
HB110C2NBRRW

TERMINALS

QUICK-CONNECT



PANEL CUT-OUTS



pnl. tk'ness.	A +0, -.004	B +0, -.004
.029-.049"	1.126"	.539"
.050-.078"	1.134"	.539"
.079-.118"	1.150"	.539"

SPECIFICATIONS SUBJECT TO CHANGE WITHOUT NOTICE