

## **Excellent Integrated System Limited**

Stocking Distributor

Click to view price, real time Inventory, Delivery & Lifecycle Information:

[Apem Inc.](#)  
[106371175](#)

For any questions, you can email us directly:  
[sales@integrated-circuit.com](mailto:sales@integrated-circuit.com)

# 10600 series

Professional toggle switches - threaded bushing Ø 10 (.393)

*Distinctive features and specifications*

UG1410A-R1



☐ CECC approved

## ELECTRICAL SPECIFICATIONS

- Max. current/voltage rating with resistive load : 3A 24VDC
- Minimum load : 100µA 10mV
- Initial contact resistance : 10 mΩ max.
- Insulation resistance : 1.000 MΩ min. at 500VDC
- Dielectric strength :
  - 1.000 Vrms 50 Hz min. between terminals of the same pole
  - 2.000 Vrms 50 Hz min. between terminals and frame
  - 2.000 Vrms 50 Hz min. between terminals of adjacent poles
- Electrical life : 50.000 cycles

## MATERIALS

- Case : diallylphthalate (DAP) or high temperature plastic material (UL94-V0)
- Actuator : brass, nickel plated
- Bushing : brass, nickel plated
- Housing : stainless steel
- Contacts :
  - silver
  - silver, gold plated
- Terminal seal : epoxy

## HOMOLOGATION



CECC 96201-007

**Availability** : consult factory for details of approved models.

**Marking** : to order switches marked CECC, add "CECC" to model number.

## GENERAL SPECIFICATIONS

- Torque : 1,50 Nm (1.106 Ft.lb) max. applied to nut
- Max. panel thickness : 4 mm (.157)
- Operating temperature : -40°C to +85°C

## ABOUT THIS SERIES

Complete part numbers are shown on the following pages.

**Dimensions** : first dimensions are in mm while inches are shown as bracketed numbers.



**Sealing boots** are available to protect the switches against dust and water. They are presented in section H.



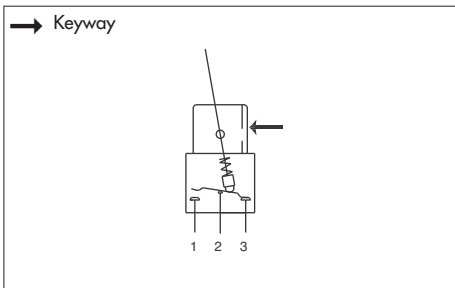
**Mounting accessories** : standard hardware supplied with all models : 1 knurled cap nut, 1 hex nut, 1 locking ring and 1 lockwasher. They are presented in section I.



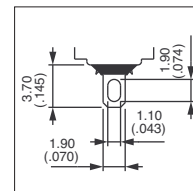
**Packaging unit** : 25 pieces.

# 10600 series

Professional toggle switches - threaded bushing Ø 10 (.393)



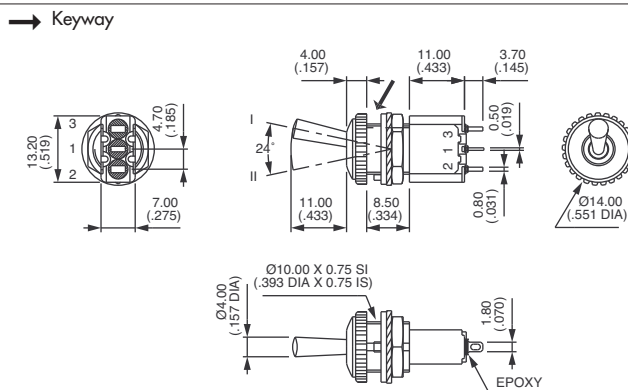
- Solder lug terminals
- 2 and 3 positions
- 1 and 2 pole configurations
- Available with matt black finish : consult factory for model number



## 2 positions - single pole



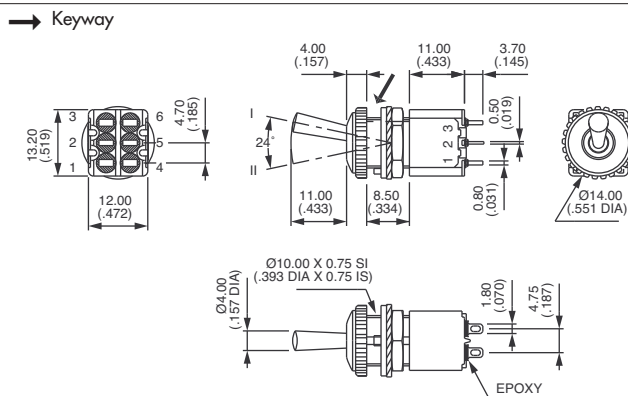
	II	I
	1-3	1-2
Silver contacts	ON	ON
<b>106362103</b>	-	MOM
<b>106322103</b>		
Gold plated silver contacts	ON	ON
<b>106361175</b>	-	MOM
<b>106321175</b>		



## 2 positions - double pole



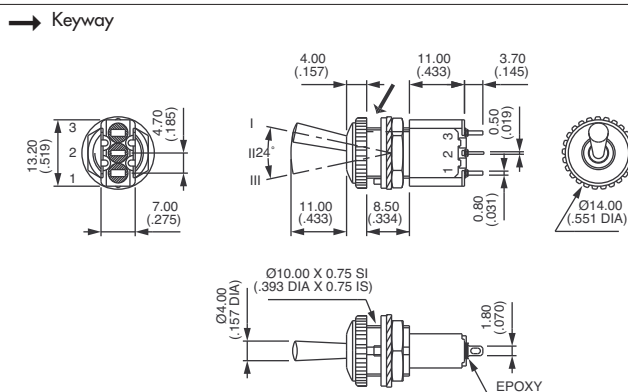
	II	I
	2-3	2-1
	5-6	5-4
Silver contacts	ON	ON
<b>106462103</b>	-	MOM
<b>106422103</b>		
Gold plated silver contacts	ON	ON
<b>106461175</b>	-	MOM
<b>106421175</b>		



## 3 positions - single pole



	III	II	I
	2-3		2-1
Silver contacts	ON	OFF	ON
<b>106392103</b>	MOM	OFF	MOM
<b>106372103</b>	ON	OFF	MOM
<b>106382103</b>			
Gold plated silver contacts	ON	OFF	ON
<b>106391175</b>	MOM	OFF	MOM
<b>106371175</b>	ON	OFF	MOM
<b>106381175</b>			



# 10600 series

Professional toggle switches - threaded bushing Ø 10 (.393)

## 3 positions - double pole

III	II	I	
2-3		2-1	
5-6		5-4	→ Keyway

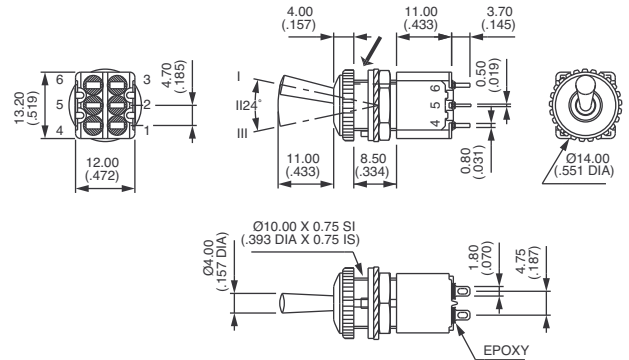


Silver contacts

<b>106492103</b>	ON	OFF	ON
<b>106472103</b>	MOM	OFF	MOM
<b>106482103</b>	ON	OFF	MOM
<b>106440886*</b>	ON	ON	ON
	(2-3)		
	(5-4)		

Gold plated silver contacts

<b>106491175</b>	ON	OFF	ON
<b>106471175</b>	MOM	OFF	MOM
<b>106481175</b>	ON	OFF	MOM
<b>106440944*</b>	ON	ON	ON
	(2-3)		
	(5-4)		



\* Function 4 : SP in DP case. Jumper between terminals 2 and 4 to be wired by the user.

### PANEL CUT-OUT

