

## Excellent Integrated System Limited

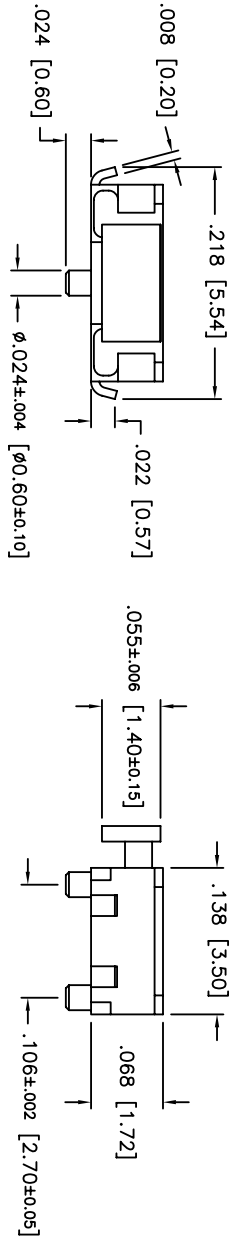
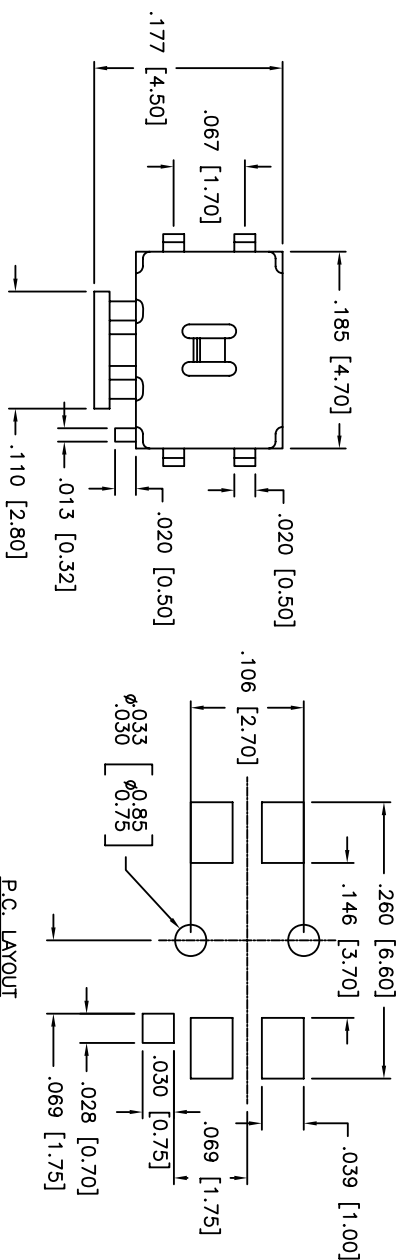
Stocking Distributor

Click to view price, real time Inventory, Delivery & Lifecycle Information:

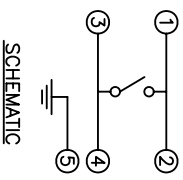
[Apem Inc.](#)  
[APTCFGP1VTR](#)

For any questions, you can email us directly:  
[sales@integrated-circuit.com](mailto:sales@integrated-circuit.com)

THIS DOCUMENT IS THE PROPERTY OF APEM COMPONENTS AND SHALL NOT BE COPIED, REPRODUCED, DISCLOSED OR USED AS THE BASIS FOR MANUFACTURING OR REPAIRING WITHOUT PERMISSION OF APEM COMPONENTS INC.



P.C. LAYOUT  
 UNLESS OTHERWISE SPECIFIED  
 P.C. TOLERANCES ARE ±.002 [0.05]



DATE	SYM	REVISION RECORD	DMN.	CK
10/05	A	ECO# 483	CD	PD
2/07	B	ECO# 628	CD	PD

DESCRIPTION: SPST, MINIATURE SIDE PUSH SWITCH WITH P.C. LOCATING PINS AND SWT GULLWING TERMINALS.

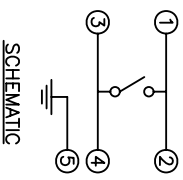
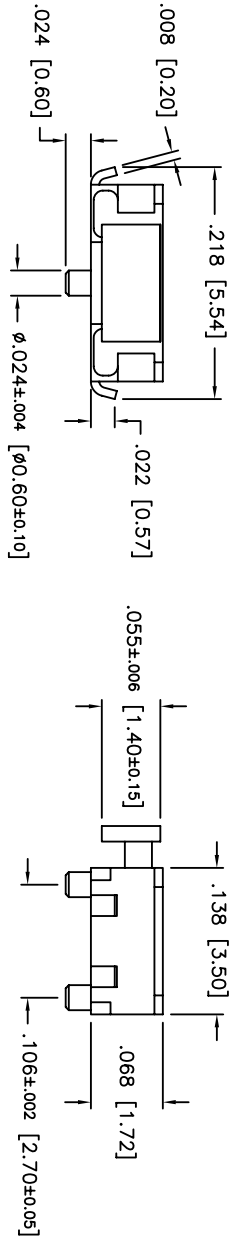
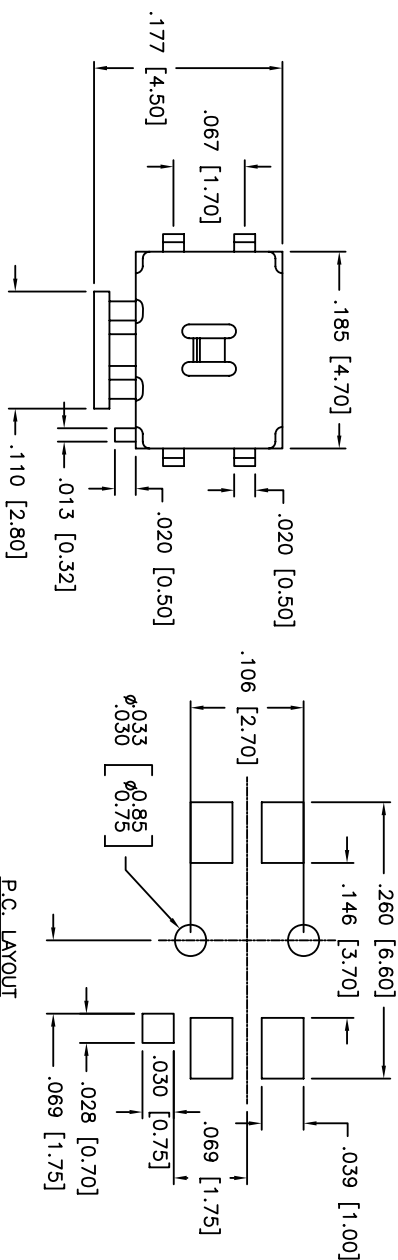
SPECIFICATIONS:

CONTACT RATING: 50mA @ 12VDC  
 INSULATION RESISTANCE: 100 MOHMS MIN. (500VDC)  
 DIELECTRIC STRENGTH: 100VAC FOR 1 MINUTE  
 CONTACT RESISTANCE: 100 MOHMS MAX.  
 SHOCK RESISTANCE: 50G PER METHOD 213B, MIL-STD-202F  
 VIBRATION RESISTANCE: PASSES METHOD 201A, MIL-STD-202F  
 ELECTRICAL LIFE: 100,000 CYCLES MIN.  
 OPERATING FORCE: 220gf ±90gf  
 TRAVEL: 0.30 ±0.15mm  
 OPERATING TEMP. RANGE: -25°C TO +70°C  
 STORAGE TEMP. RANGE: -30°C TO +80°C  
 MATERIALS  
 COVER: STAINLESS STEEL.  
 CONTACT DISK: STAINLESS STEEL.  
 TERMINAL: BRASS WITH SILVER PLATING.  
 BASE: LCP HIGH-TEMP. THERMOPLASTIC.  
 COLOR: BLACK.  
 STEM: LCP HIGH-TEMP. THERMOPLASTIC, COLOR: BLACK.

ROHS COMPLIANT  
 LEAD FREE PROCESS COMPATIBLE  
 HAND SOLDERING: 30 WATT IRON AT 350°C FOR 5 SECONDS  
 IR REFLOW: 255°C MAX

Q.A. INSPECT	DESIGNER'S SYMBOL	DATE	DRAWING NO.
12/16/04	B7626		
DO NOT SCALE DRAWING			
TOLERANCES (unless as noted) .XXX = ±.02 [0.05] .XXXX = ±.008 [0.20] .XXXXX = ±.0008 [0.02] ANGLE = 40.5°			
TITLE	SCALE	THIRD ANGLE PROJECTION	
TINY SIDE PUSH SWITCH	9:1		
APTCLGTP1VTR			

THIS DOCUMENT IS THE PROPERTY OF APEM COMPONENTS AND SHALL NOT BE COPIED, REPRODUCED, DISCLOSED OR USED AS THE BASIS FOR MANUFACTURING OR SALE WITHOUT PERMISSION OF APEM COMPONENTS INC. REPRESENTATIVE OF APEM COMPONENTS INC.



P.C. LAYOUT  
 UNLESS OTHERWISE SPECIFIED  
 P.C. TOLERANCES ARE  $\pm .002$  [0.05]

DESCRIPTION: SPST, MINIATURE SIDE PUSH SWITCH WITH P.C. LOCATING PINS AND SWT GULLWING TERMINALS.

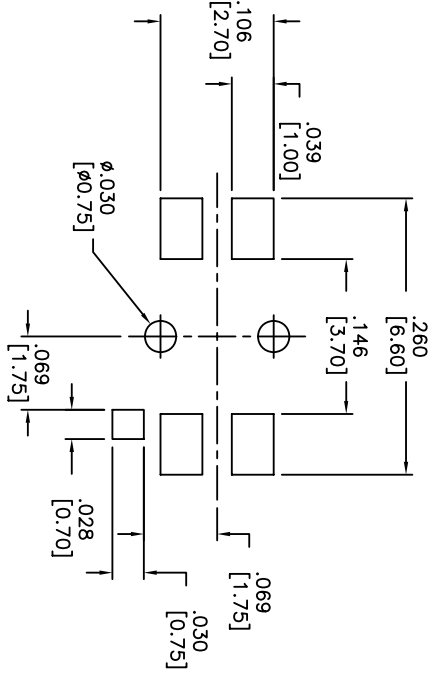
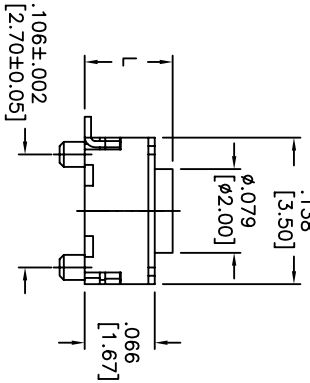
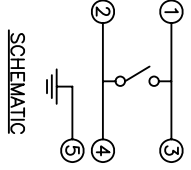
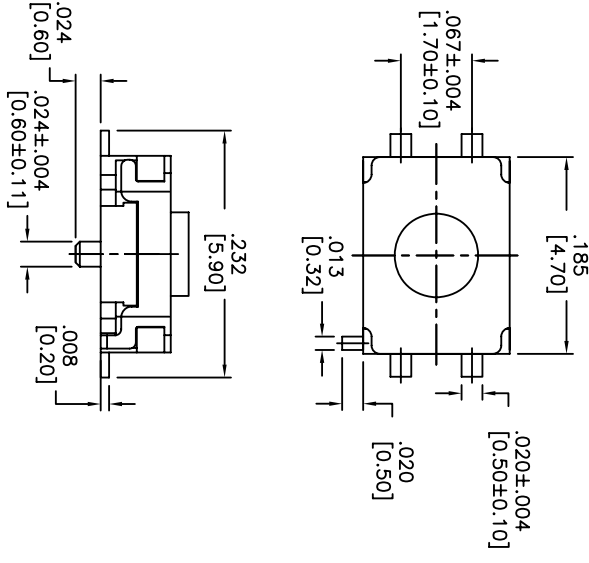
SPECIFICATIONS:

CONTACT RATING: 50mA @ 12VDC  
 INSULATION RESISTANCE: 100 MOHMS MIN. (500VDC)  
 DIELECTRIC STRENGTH: 100VAC FOR 1 MINUTE  
 CONTACT RESISTANCE: 100 MOHMS MAX.  
 SHOCK RESISTANCE: 50G PER METHOD 213B, MIL-STD-202F  
 VIBRATION RESISTANCE: PASSES METHOD 201A, MIL-STD-202F  
 ELECTRICAL LIFE: 100,000 CYCLES MIN.  
 OPERATING FORCE: 160 $\pm$ 50gf  
 TRAVEL: .008 $\pm$ .004  
 OPERATING TEMP. RANGE: -25°C TO +70°C  
 STORAGE TEMP. RANGE: -30°C TO +80°C  
 MATERIALS  
 COVER: STAINLESS STEEL.  
 CONTACT DISK: STAINLESS STEEL.  
 TERMINAL: BRASS WITH SILVER PLATING.  
 BASE: LCP HIGH-TEMP. THERMOPLASTIC.  
 COLOR: BLACK.  
 STEM: LCP HIGH-TEMP. THERMOPLASTIC, COLOR: BLACK.

ROHS COMPLIANT  
 LEAD FREE PROCESS COMPATIBLE  
 HAND SOLDERING: 30 WATT IRON AT 350°C FOR 5 SECONDS  
 IR REFLOW: 255°C MAX

Q.A. INSPECT	DESIGNER'S SYMBOL	DATE	DRAWING NO.	REV
10/5/05	APTCLGCTR	A		
<b>APTEM</b> 63 NINE RD. 01835 TEL: 978-372-1602 FAX: 978-372-5534 FORM 9/18-5/2-5534		SHEET 1 OF 1 SIZE B SCALE 9:1 THIRD ANGLE PROJECTION	P.C. CJD PUD	
TOLERANCES (UNLESS OTHERWISE SPECIFIED) .XX = $\pm .02$ [0.51] .XXX = $\pm .008$ [0.20] .XXXX = $\pm .0008$ [0.02] ANGLE = 40.5°		TITLE TINY SIDE PUSH SWITCH		

THIS DOCUMENT IS THE PROPERTY OF APEM COMPONENTS AND SHALL NOT BE COPIED, REPRODUCED, DISCLOSED OR USED AS THE BASIS FOR MANUFACTURING OR REPAIRING WITHOUT PERMISSION OF APEM COMPONENTS INC.



P.C. LAYOUT  
 UNLESS OTHERWISE SPECIFIED  
 P.C. TOLERANCES ARE ±.004 [0.10]

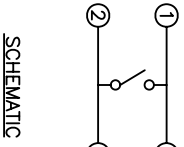
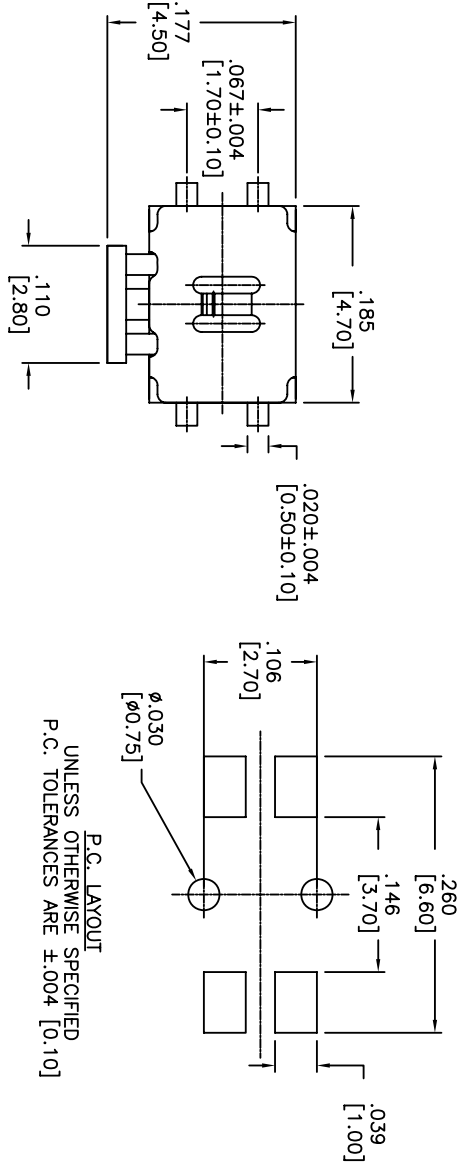
PART NO.	
APTFCGP1V	.0827 [2.100]
APTFCGP2V	.0984 [2.50]

DATE	SYM	REVISION RECORD	DMN.	CK.

DESCRIPTION: SPST, MINIATURE VERTICAL PUSH SWITCH WITH P.C. LOCATING PINS AND SMT SPECIFICATIONS:  
 CONTACT RATING: 50mA @ 12VDC  
 INSULATION RESISTANCE: 100 MOHMS MIN. (500VDC)  
 DIELECTRIC STRENGTH: 250VAC FOR 1 MINUTE  
 CONTACT RESISTANCE: 100 MOHMS MAX.  
 SHOCK RESISTANCE: 50G PER METHOD 213B. MIL-STD-202F  
 VIBRATION RESISTANCE: PASSES METHOD 201A. MIL-STD-202F  
 ELECTRICAL LIFE: 100,000 CYCLES MIN.  
 OPERATING FORCE: 160±50gf  
 TRAVEL: .008±.004  
 OPERATING TEMP. RANGE: -25°C TO +70°C  
 STORAGE TEMP. RANGE: -30°C TO +80°C  
 MATERIALS  
 COVER: STAINLESS STEEL.  
 CONTACT DISK: STAINLESS STEEL.  
 TERMINAL: BRASS WITH SILVER PLATING.  
 BASE: LCP HIGH-TEMP. THERMOPLASTIC.  
 COLOR: BLACK.  
 STEM: LCP HIGH-TEMP. THERMOPLASTIC.  
 COLOR: BLACK.  
 ROHS COMPLIANT  
 LEAD FREE PROCESS COMPATIBLE  
 HAND SOLDERING: 30 WATT IRON AT 350°C FOR 5 SECONDS  
 IR REFLOW: 255°C MAX

Q.A. INSPECT	DESIGNER'S SYMBOL	DATE	DRAWING NO.
		7/7/05	APTFCGP*V
TOLERANCES (unless as noted) .XXX = ±.02 [0.5] .XXXX = ±.008 [0.20] .XXXXX = ±.0008 [0.02] ANGLE = ±0.5°			
TITLE	TINY VERTICAL PUSH SWITCH	REV	A

THIS DOCUMENT IS THE PROPERTY OF APEM COMPONENTS AND SHALL NOT BE COPIED, REPRODUCED, DISCLOSED OR USED AS THE BASIS FOR MANUFACTURING OR SALE WITHOUT PERMISSION OF APEM. ANY UNAUTHORIZED REPRESENTATIVE OF APEM COMPONENTS INC.



**DESCRIPTION:** SPST, MINIATURE SIDE PUSH SWITCH WITH P.C. LOCATING PINS AND SMT SPECIFICATIONS:

**CONTACT RATING:** 50mA @ 12VDC  
**INSULATION RESISTANCE:** 100 MOHMS MIN. (500VDC)  
**DIELECTRIC STRENGTH:** 250VAC FOR 1 MINUTE  
**CONTACT RESISTANCE:** 100 MOHMS MAX.  
**SHOCK RESISTANCE:** 50G PER METHOD 213B, MIL-STD-202F  
**VIBRATION RESISTANCE:** PASSES METHOD 201A, MIL-STD-202F  
**ELECTRICAL LIFE:** 100,000 CYCLES MIN.  
**OPERATING FORCE:** 220 ±99g  
**TRAVEL:** .012 ±.006  
**OPERATING TEMP. RANGE:** -25°C TO +70°C  
**STORAGE TEMP. RANGE:** -30°C TO +80°C  
**MATERIALS**

**COVER:** STAINLESS STEEL.  
**CONTACT DISK:** STAINLESS STEEL.  
**TERMINAL:** BRASS WITH SILVER PLATING.  
**BASE:** LCP HIGH-TEMP. THERMOPLASTIC, COLOR: BLACK.  
**STEM:** LCP HIGH-TEMP. THERMOPLASTIC, COLOR: BLACK.

**TAPE:** TEFLON  
**TAPE & REEL PACKAGING:** 3,000 PCS. PER REEL  
**ROHS COMPLIANT**  
**LEAD FREE PROCESS COMPATIBLE**  
**HAND SOLDERING:** 30 WATT IRON AT 350°C FOR 5 SECONDS  
**IR REFLOW:** 255°C MAX

DATE	SYM	REVISION RECORD	DRAWN	CHK

Q.A. INSPECT		DESIGNERS CONTROL		DATE		DRAWING NO.		REV	
Δ		APTEM		7/7/05		APTCFV		A	
DIMENSIONS: CENTRAL		33 MARK FOR 01835		1/8" = 3.175		3/16" = 4.762		PER. CJD	
TOLERANCES (unless as noted)		1/8" = 3.175		3/16" = 4.762		3/32" = 2.381		CHK. PJD	
.XXX = ±.02 [0.05]		.XX = ±.01 [0.25]		.X = ±.005 [0.125]		.XXX = ±.008 [0.20]		THIRD ANGLE PROJECTION	
.XXXX = ±.008 [0.20]		.XXX = ±.008 [0.20]		.X = ±.005 [0.125]		.XXX = ±.008 [0.20]		THIRD ANGLE PROJECTION	
ANGLE = ±0.5°		TITLE		TINY SIDE		PUSH SWITCH		DRAWING NO.	

A 1 2 3 4 5 6 7 8