

Excellent Integrated System Limited

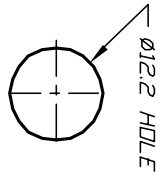
Stocking Distributor

Click to view price, real time Inventory, Delivery & Lifecycle Information:

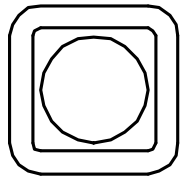
[E-Switch](#)
[PS1023BBLK](#)

For any questions, you can email us directly:

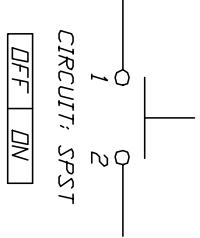
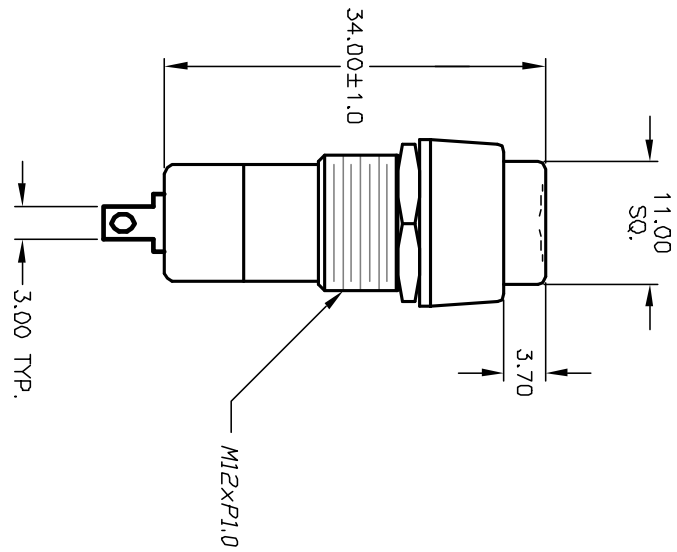
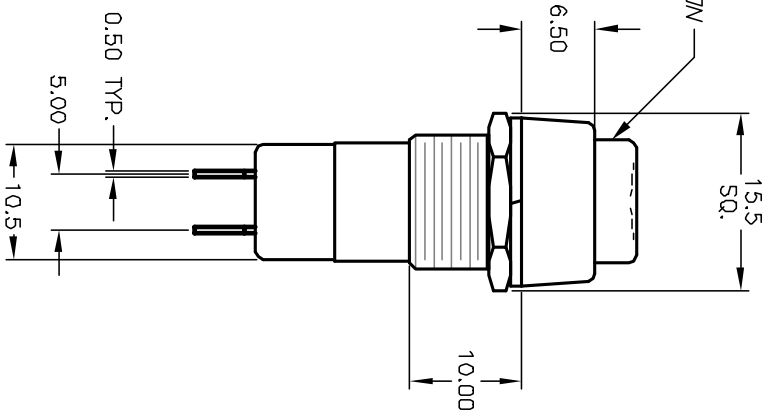
sales@integrated-circuit.com



RECOMMENDED PANEL LAYOUT
 NOT TO SCALE



BLACK BUTTON



NOTES:

1. ALL DIMENSIONS IN MM
2. GENERAL TOLERANCE: X.X=±0.4
X.XX=±0.25
3. TERMINAL NO'S FOR REFERENCE ONLY
4. RATING: 3A@ 125VAC, 1.5A@ 250VAC
5. MATERIAL: Silver Plating
6. CONTACT RESISTANCE: 50milli-Ohms
7. INSULATION RESISTANCE: 500V DC 100Mega-Ohm min.
8. DIELECTRIC STRENGTH: 1000V AC 1minute
9. MECHANICAL LIFE: 6,000 Cycles

C	12552	ADD NOTE 9, REMOVED TAB	11/12/02	CJB
B	11563	ADD NOTES & TABULATION	7/12/01	CJB
REV.	ECN NO.	DESCRIPTION	DATE	CHKD

E-SWITCH®	
TITLE	PS 1023B (BLK BUTTON)
SCALE	1.5:1
DATE	8/30/96
DR	MM
DWG	F010232
REV	C

THE INFORMATION CONTAINED IN THIS DOCUMENT IS PROPRIETARY TO E-SWITCH AND IS NOT TO BE COPIED OR TRANSMITTED