

Excellent Integrated System Limited

Stocking Distributor

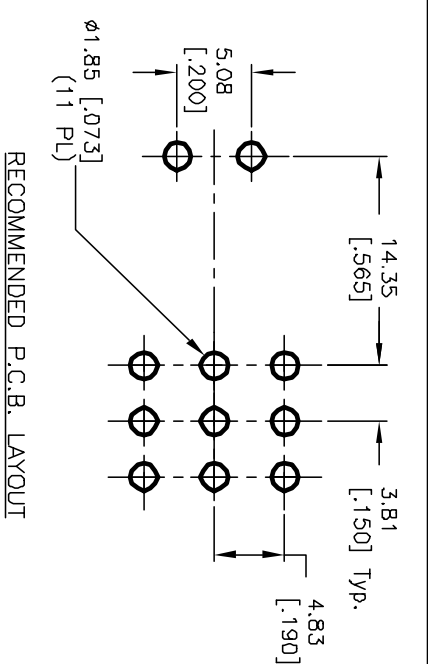
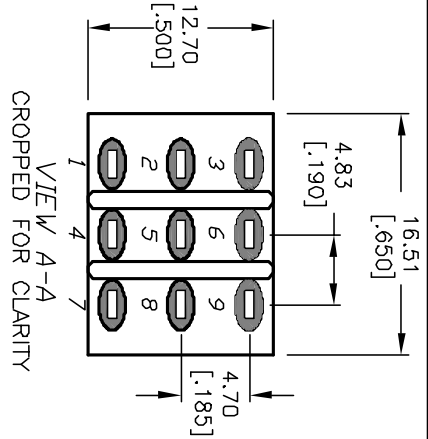
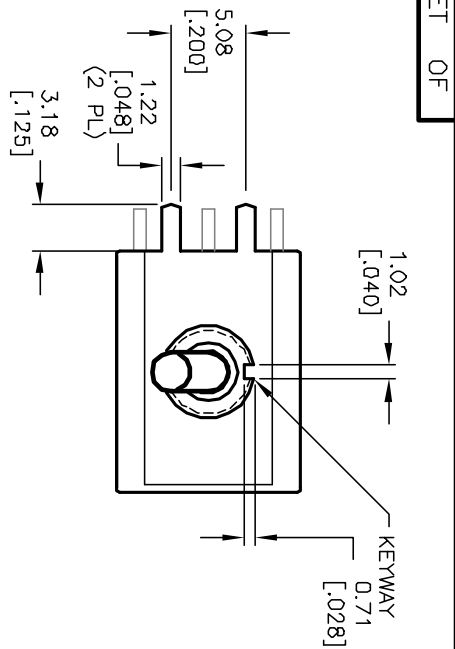
Click to view price, real time Inventory, Delivery & Lifecycle Information:

[E-Switch](#)
[1003P1T1B1M6QE](#)

For any questions, you can email us directly:

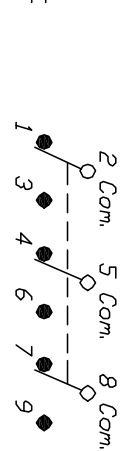
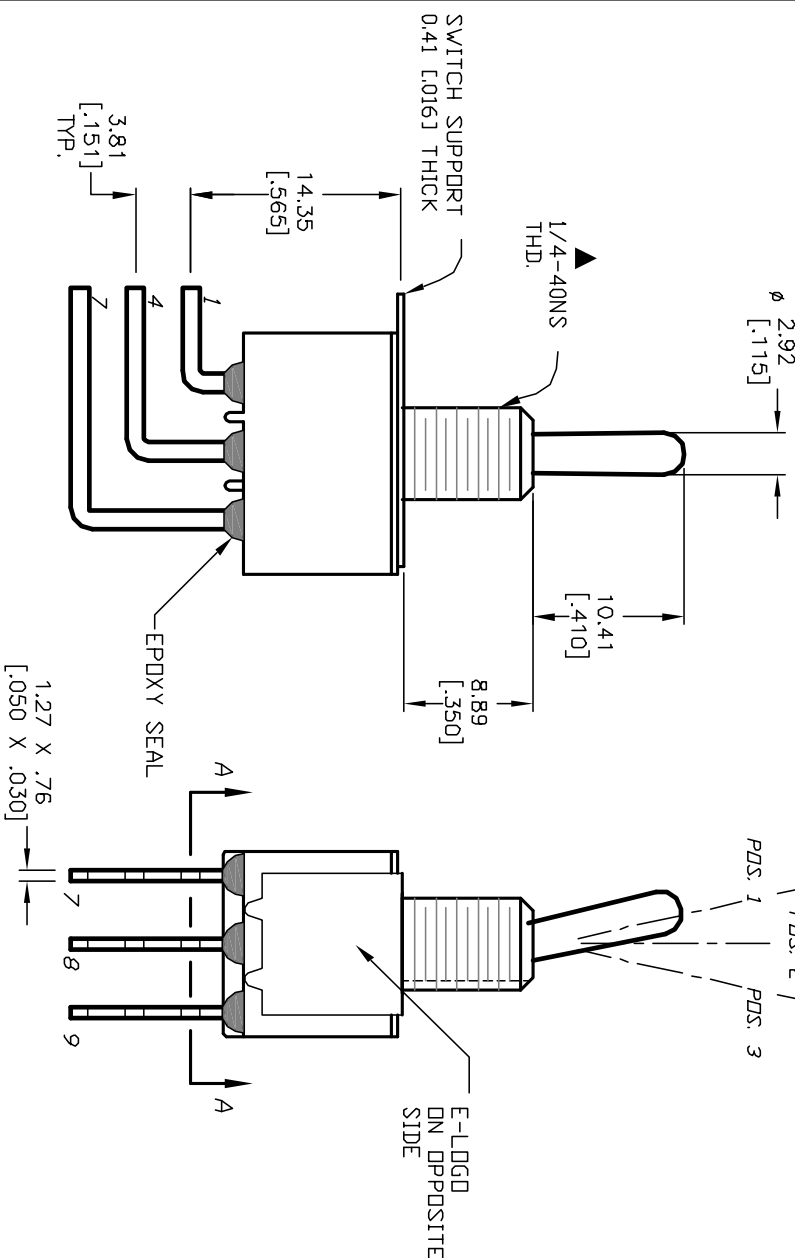
sales@integrated-circuit.com

SHEET OF



RECOMMENDED P.C.B. LAYOUT

SWITCH FUNCTION		
POS. 1	POS. 2	POS. 3
DN	NONE	DN
2-3-5-6 8-9	DPEN	2-1,5-4 8-7



CIRCUIT: 3PDT

- NOTES:
1. ALL DIMENSIONS IN MM [INCH]
 2. GENERAL TOLERANCE: X.X=±0.4 X.XX=±0.25
 3. TERMINAL NUMBERS FOR REF ONLY
 4. RATING: 5A @120V or 28VDC 2A @250V
 5. CONTACT MATERIAL:
Copper Alloy W/Silver plate
 6. ELECTRIC LIFE: 50,000 make-and-break cycles at full load.
 7. INSULATION RESISTANCE: 1,000 Mega-ohm min.
 8. DIELECTRIC STRENGTH: 1,000 V RMS @sea level.
 9. OPERATING TEMP.: -30°C to 85°C

E-SWITCH®

100 3P-1 T1 B1 M6 Q E

REV. A	12328	RELEASED	8/7/02	CJB
ECN No.		DESCRIPTION	DATE	CHKD
THE INFORMATION CONTAINED IN THIS DOCUMENT IS PROPRIETARY TO E-SWITCH AND IS NOT TO BE COPIED OR TRANSMITTED				

TITLE	SCALE	DATE	DR	DWG	REV
100 3P-1 T1 B1 M6 Q E	2:1	--	--	T131014	A