

## Excellent Integrated System Limited

Stocking Distributor

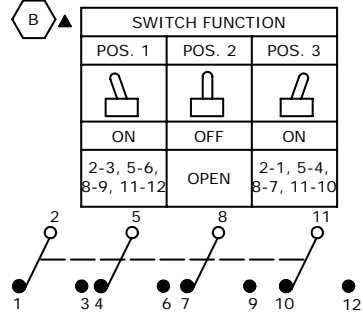
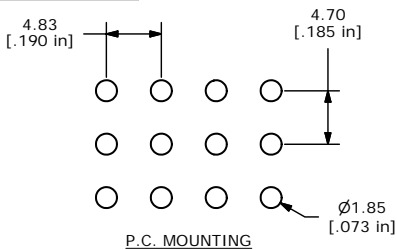
Click to view price, real time Inventory, Delivery & Lifecycle Information:

[E-Switch](#)  
[1004P3T6B15M1QE](#)

For any questions, you can email us directly:

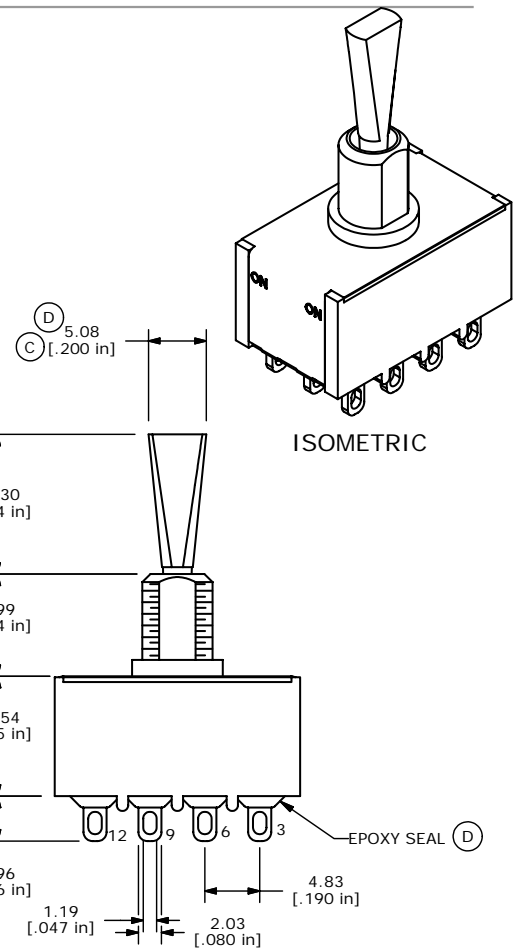
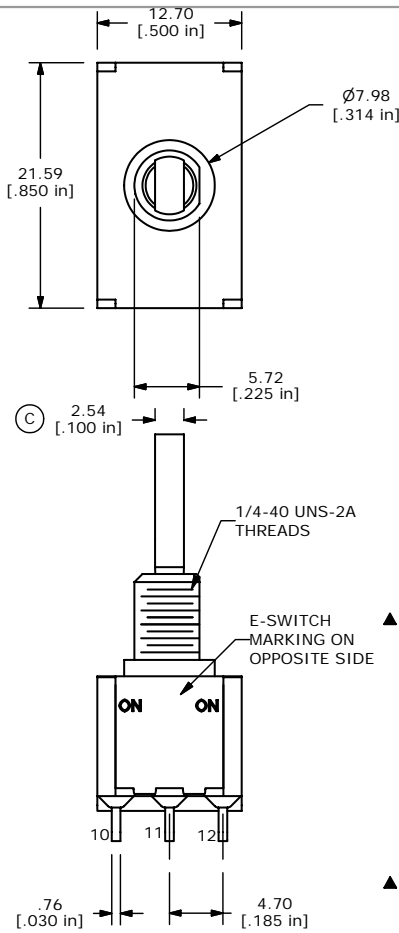
[sales@integrated-circuit.com](mailto:sales@integrated-circuit.com)

SHEET 1 OF 1



CIRCUIT: 4PDT

- NOTE:
1. ALL DIMENSIONS IN MM [INCH]
  2. GENERAL TOLERANCE: X.XX=±0.4  
X.XXX=±0.25
  3. TERMINAL NUMBERS FOR REF ONLY
  - ▲ 4. PLATING MATERIAL: SILVER
  5. RATING: 2A @250VAC  
5A @120VAC OR 28 VDC
  6. ELECTRIC LIFE: 40,000 MAKE-AND-BREAK CYCLES AT FULL LOAD.
  7. INSULATION RESISTANCE: 1,000 MEGA-OHM MIN.
  8. DIELECTRIC STRENGTH: 1,000 V RMS @SEA LEVEL.
  9. OPERATING TEMP.: -30°C to 85°C
  10. ▲ DENOTES CRITICAL PARAMETER.



D	15233	CHANGES NOTED WITH (D)	9/1/05	PH
C	15200	CHANGES NOTED WITH (C)	8/25/05	PH
B	14899	CHANGED SWITCH POSITION TEXT	5/9/05	JB
A	14871	RELEASED FOR PRODUCTION	4/20/05	JB
REV	PCR NO	DESCRIPTION	DATE	BY

TITLE 1004P3T6B15M1QE

**E-SWITCH®**

SCALE 2:1

DATE 4/20/2005

DR JB

DWG T140000

REV D

THE INFORMATION CONTAINED IN THIS DOCUMENT IS PROPRIETARY TO E-SWITCH AND IS NOT TO BE COPIED OR TRANSFERRED