

## Excellent Integrated System Limited

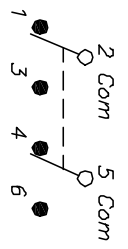
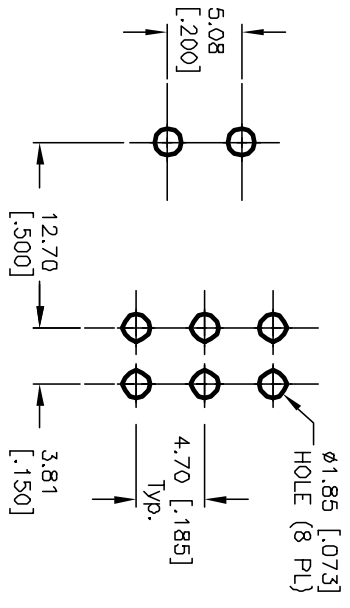
Stocking Distributor

Click to view price, real time Inventory, Delivery & Lifecycle Information:

[E-Switch](#)  
[100AWDP1T2B4M6QE](#)

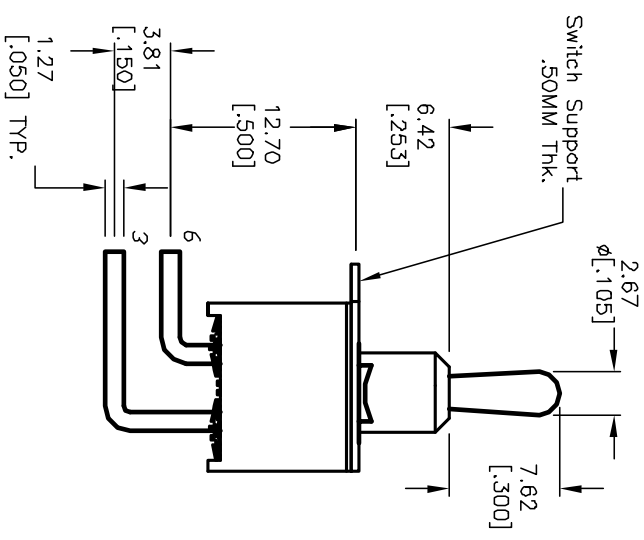
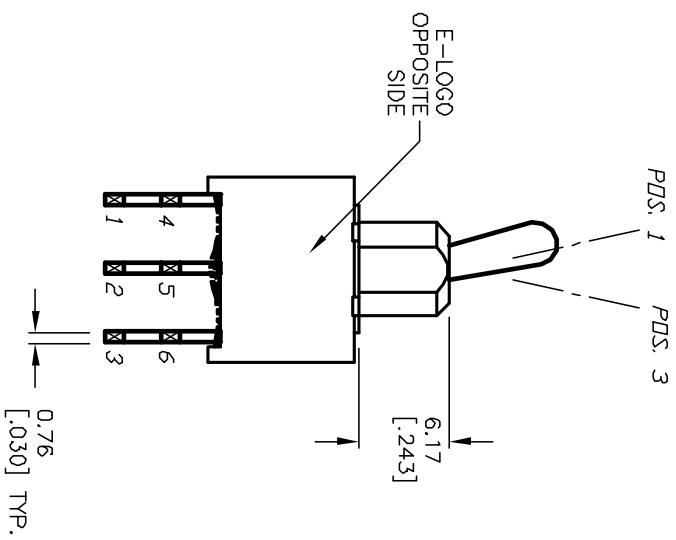
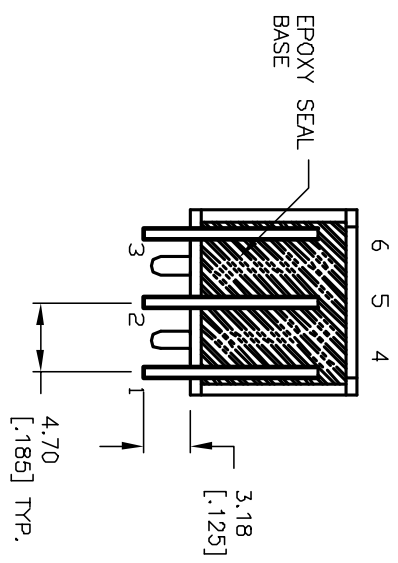
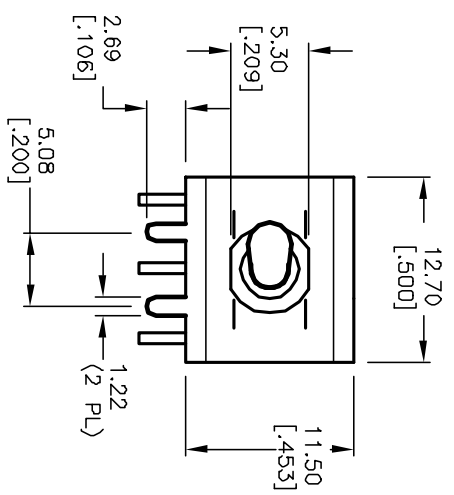
For any questions, you can email us directly:

[sales@integrated-circuit.com](mailto:sales@integrated-circuit.com)



SWITCH FUNCTION		
POS. 1	POS. 2	POS. 3
DN	NONE	DN
2-3-5-6	OPEN	2-1-5-4

- NOTES:
1. ALL DIMENSIONS IN MM [INCH]
  2. GENERAL TOLERANCE: X.X=±0.4 X:XX=±0.25
  3. TERM. NOS. FOR REF. ONLY
  4. RATING: 5A @120VAC or 28VDC; 2A @250VAC
  5. FIXED TERM. & MOVING CONTACT: COPPER ALLOY W/SILVER
  6. ELECTRICAL LIFE: 50,000 make-and-break cycles at full load.
  7. INSULATION RESISTANCE: 1,000M ohm min.
  8. DIELECTRIC STRENGTH: 1,000V RMS @sea level.
  9. OPERATING TEMP.: -30°C to +85°C.



**E-SWITCH®**

REV. B	ECN No. 12042	REVISION AND REDRAWN	DATE 4/5/02	CHKD CJB	TITLE 100A WDP-1 T2 B4 M6 Q E	SCALE 2:1	DATE 4/5/02	DR CJB	DWG T102105	REV B
THE INFORMATION CONTAINED IN THIS DOCUMENT IS PROPRIETARY TO E-SWITCH AND IS NOT TO BE COPIED OR TRANSMITTED.										