

Excellent Integrated System Limited

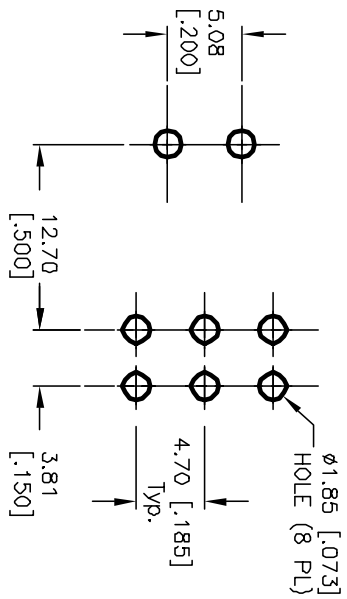
Stocking Distributor

Click to view price, real time Inventory, Delivery & Lifecycle Information:

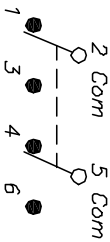
[E-Switch](#)
[100AWDP4T1B4M6QE](#)

For any questions, you can email us directly:

sales@integrated-circuit.com



RECOMMENDED P.C.B. LAYOUT



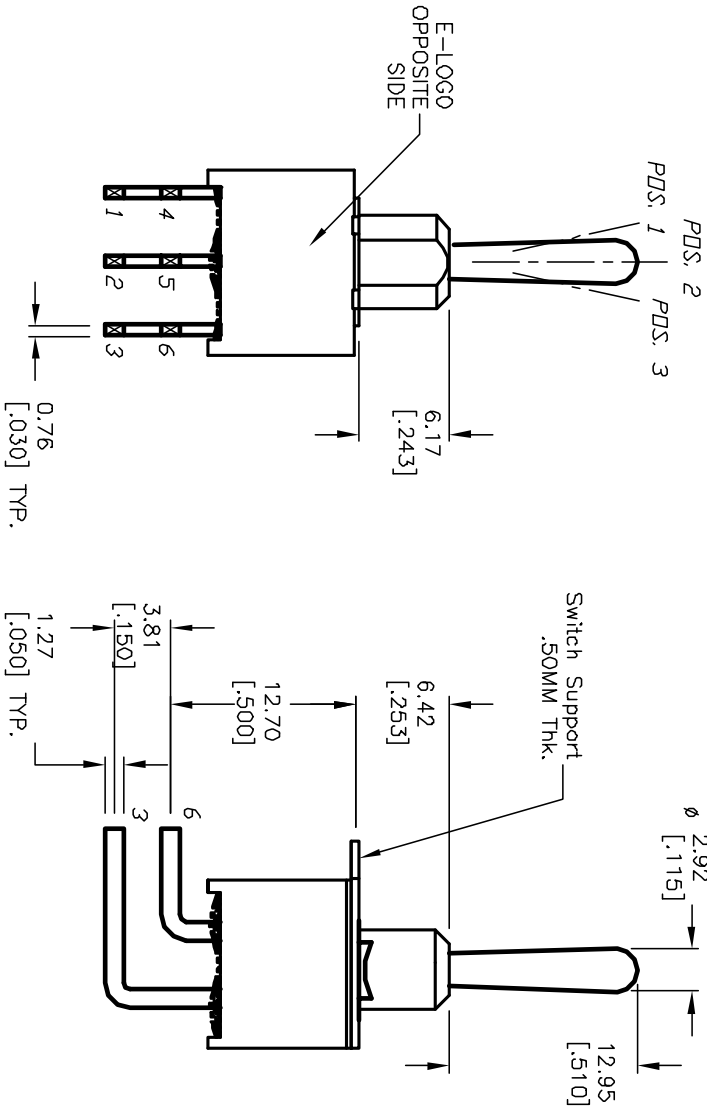
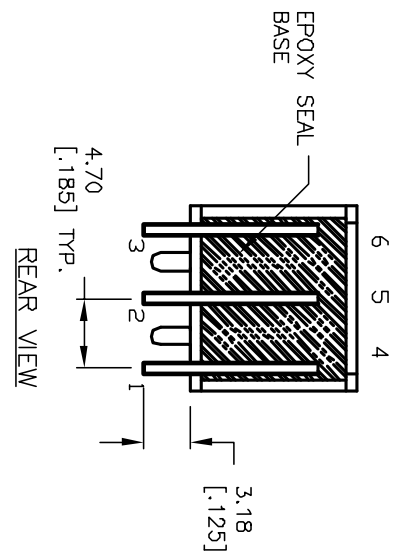
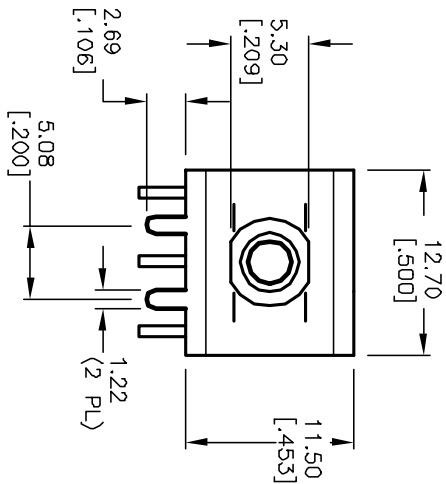
CIRCUIT: DPDT CONTACT CONFIGURATION

| SWITCH FUNCTION | | |
|-----------------|--------|---------|
| PDS: 1 | PDS: 2 | PDS: 3 |
| | | |
| <DN> | DFF | <DN> |
| 2-3-5-6 | DPEN | 2-1-5-4 |

< > = MOMENTARY

NOTES:

1. ALL DIMENSIONS IN MM [INCH]
2. GENERAL TOLERANCE: X.X=±0.4 X:XX=±0.25
3. TERM. NOS. FOR REF. ONLY
4. RATING: 5A @120VAC or 28VDC; 2A @250VAC
5. FIXED TERM. & MOVING CONTACT: COPPER ALLOY W/SILVER
6. ELECTRICAL LIFE: 50,000 make-and-break cycles at full load.
7. INSULATION RESISTANCE: 1,000M ohm min.
8. DIELECTRIC STRENGTH: 1,000V RMS @sea level.
9. OPERATING TEMP.: -30°C to +85°C.



E-SWITCH®

| | | | | |
|------|---------|-------------------------|--------|------|
| REV. | ECN No. | DESCRIPTION | DATE | CHKD |
| A | 12042 | RELEASED FOR PRODUCTION | 4/5/02 | CJB |

| | | | | | |
|-------------------------|-------|--------|-----|---------|-----|
| TITLE | SCALE | DATE | DR | DWG | REV |
| 100A WDP-4 T1 B4 M6 Q E | 2:1 | 4/5/02 | CJB | T102290 | A |

THE INFORMATION CONTAINED IN THIS DOCUMENT IS PROPRIETARY TO E-SWITCH AND IS NOT TO BE COPIED OR TRANSMITTED