

## Excellent Integrated System Limited

Stocking Distributor

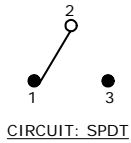
Click to view price, real time Inventory, Delivery & Lifecycle Information:

[E-Switch](#)  
[100AWSP1T1B1M1QEH](#)

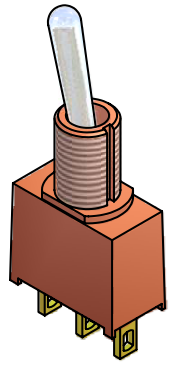
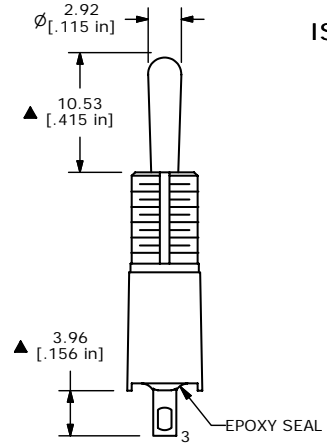
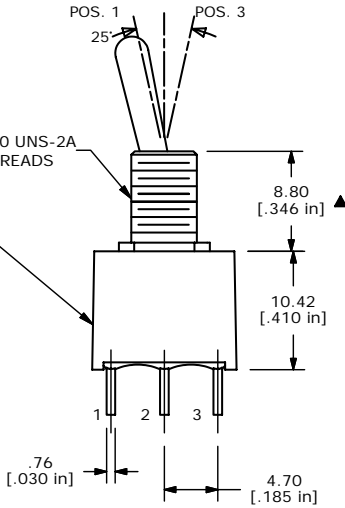
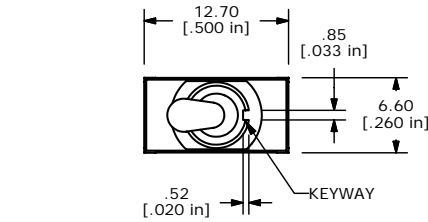
For any questions, you can email us directly:

[sales@integrated-circuit.com](mailto:sales@integrated-circuit.com)

SWITCH FUNCTION		
POS. 1	POS. 2	POS. 3
ON	NONE	ON
2-3	OPEN	2-1



100AWSP1T1B1M1QE  
(T101018)



ISOMETRIC

- NOTE:
- ALL DIMENSIONS IN MM [INCH]
  - GENERAL TOLERANCE: X.X=±0.4  
X.XX=±0.25
  - TERMINAL NUMBERS FOR REF ONLY
  - PLATING MATERIAL: SILVER
  - RATING: 5 AMPS WITH RESISTIVE LOAD @ 120 VAC OR 28VDC  
2 AMPS WITH RESISTIVE LOAD @ 250VAC
  - ELECTRIC LIFE: 40,000 MAKE-AND-BREAK CYCLES AT FULL LOAD.
  - INSULATION RESISTANCE: 1,000 MEGA-OHM MIN.
  - DIELECTRIC STRENGTH: 1,000 V RMS @SEA LEVEL.
  - OPERATING TEMP.: -30°C to 85°C
  - ▲ DENOTES CRITICAL PARAMETER.
  - HARDWARE TO BE SHIPPED BULK:  
T100011 - LOCK WASHER, QTY 1  
T100015 - LOCK RING, QTY 1  
T100000 - HEXNUT, QTY 2



A	16204	NEW PART RELEASED	7/5/06	MRM
REV	PCR NO	DESCRIPTION	DATE	BY

TITLE 100AWSP1T1B1M1QE				
SCALE 2:1	DATE 7/5/2006	DR MRM	DWG ST101018	REV A

THE INFORMATION CONTAINED IN THIS DOCUMENT IS PROPRIETARY TO E-SWITCH AND IS NOT TO BE COPIED OR TRANSFERRED