

## Excellent Integrated System Limited

Stocking Distributor

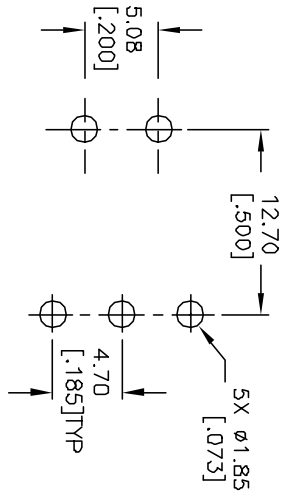
Click to view price, real time Inventory, Delivery & Lifecycle Information:

[E-Switch](#)  
[100AWSP1T1B4M6QE](#)

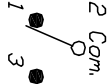
For any questions, you can email us directly:

[sales@integrated-circuit.com](mailto:sales@integrated-circuit.com)

SHEET OF



RECOMMENDED PCB LAYOUT

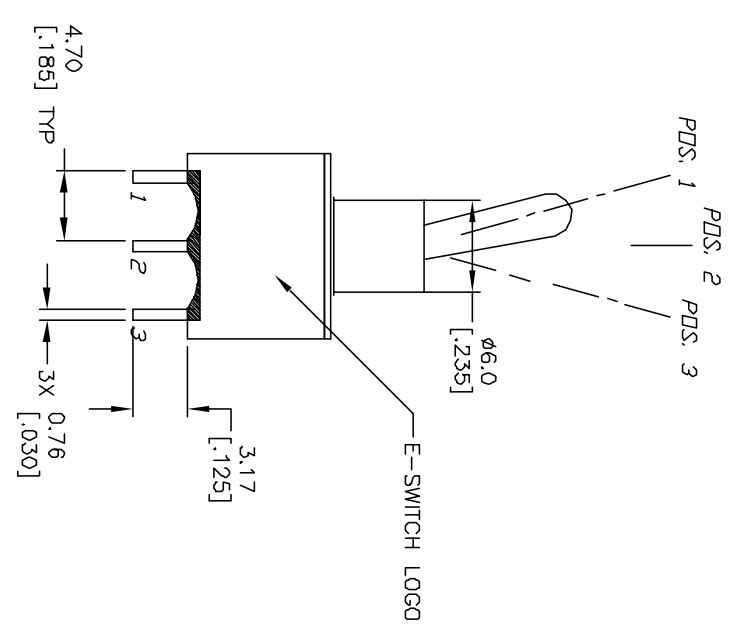
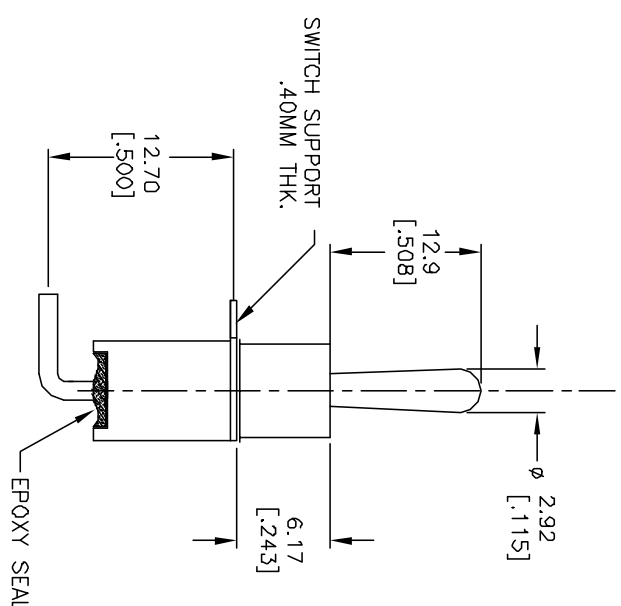
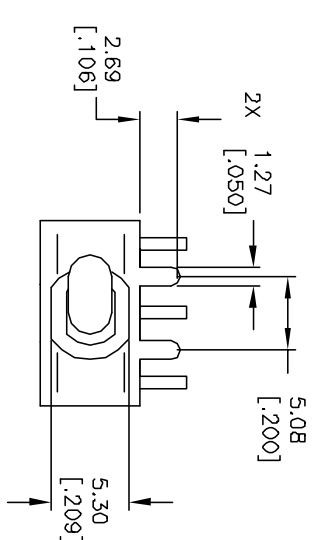
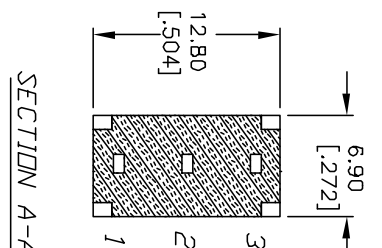


SPDT CIRCUIT  
 CONTACT CONFIGURATION

SWITCH FUNCTION		
PDS. 1	PDS. 2	PDS. 3
DN	NONE	DN
2-3	OPEN	2-1

NOTES:

1. ALL DIMENSIONS IN MM [INCH]
2. GENERAL TOLERANCE: X.X=±0.4  
X.XX=±0.25
3. TERMINAL NUMBERS FOR REF ONLY
4. RATING: 5A @120V AC or 2BV DC  
2A @250V AC
5. FIXED TERM. & MOVING CONTACT: COPPER ALLOY w/Silver plate.
6. ELECTRIC LIFE: 40,000 make-and-break cycles  
at full load.
7. INSULATION RESISTANCE: 1,000 Mega-ohm min.
8. DIELECTRIC STRENGTH: 1,000 V RMS @sea level.
9. OPERATING TEMP.: -30°C to 85°C



REV.	ECN No.	DESCRIPTION	DATE	CHKD
A	11727	RELEASED FOR PRODUCTION	10/10/01	CJC

TITLE		SCALE	DATE	DR	DWG	REV
100A WSP-1 T1 B4 M6 Q E		2:1	10/10/01	CJC	T101028	A

**E-SWITCH®**

THE INFORMATION CONTAINED IN THIS DOCUMENT IS PROPRIETARY TO E-SWITCH AND IS NOT TO BE COPIED OR TRANSMITTED