

Excellent Integrated System Limited

Stocking Distributor

Click to view price, real time Inventory, Delivery & Lifecycle Information:

[E-Switch](#)
[100AWSP1T2B1M1QEH](#)

For any questions, you can email us directly:

sales@integrated-circuit.com

SHEET 1 OF 1

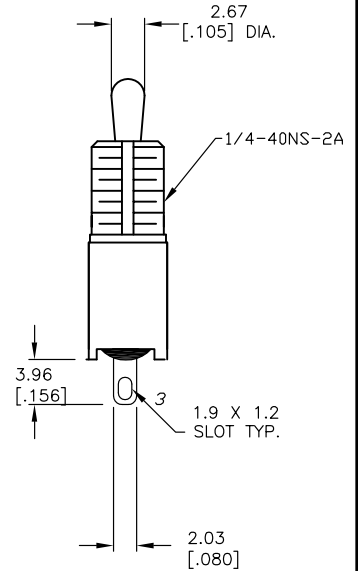
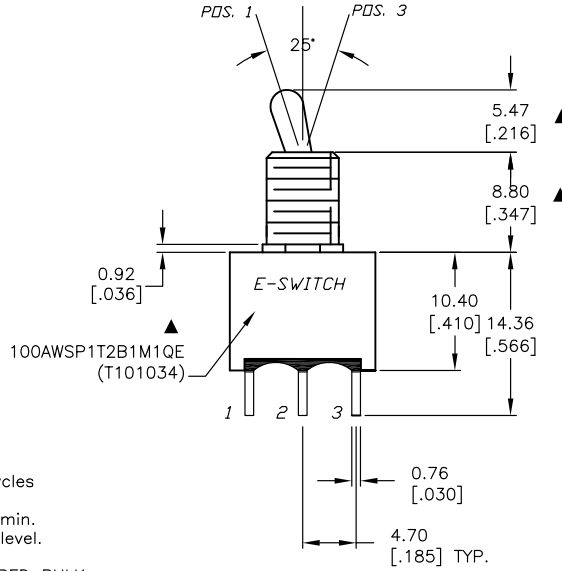
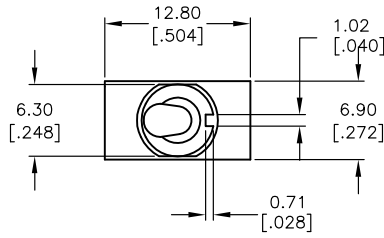


CIRCUIT: SPDT

SWITCH FUNCTION		
POS. 1	POS. 2	POS. 3
ON	NONE	ON
2-3	OPEN	2-1

NOTES:

- ALL DIMENSIONS IN MM [INCH]
- GENERAL TOLERANCE: X.X=±0.4
X.XX=±0.25
- TERMINAL NUMBERS FOR REF ONLY
- RATING: 5A @120VAC or 28VDC
2A @250VAC (w/RESISTIVE LOAD)
- FIXED TERM. & MOVING CONTACT:
Cu Alloy w/Silver plate
- ELECTRIC LIFE: 40,000 make-and-break cycles at full load.
- INSULATION RESISTANCE: 1,000 Mega-ohm min.
- DIELECTRIC STRENGTH: 1,000 V RMS @sea level.
- OPERATING TEMP.: -30°C to 85°C
- THE FOLLOWING HARDWARE IS TO BE SHIPPED BULK
T100000 - HEXNUT - QTY 2 PER SWITCH
T100011 - LOCK WASHER - QTY 1 PER SWITCH
T100015 - LOCK RING - QTY 1 PER SWITCH
- ▲ DENOTES CRITICAL PARAMETER.



E-SWITCH®															
A		14370	RELEASED FOR PRODUCTION	10/4/04	AR	TITLE	100AWSP1T2B1M1QE								
REV.	ECN No.	DESCRIPTION		DATE	CHKD	SCALE	2:1	DATE	10/4/04	DR	AR	DWG	ST101034	REV	A
THE INFORMATION CONTAINED IN THIS DOCUMENT IS PROPRIETARY TO E-SWITCH AND IS NOT TO BE COPIED OR TRANSFERRED															