

Excellent Integrated System Limited

Stocking Distributor

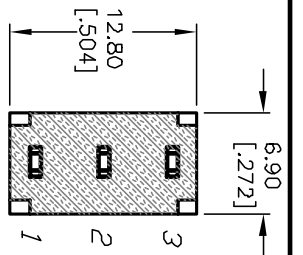
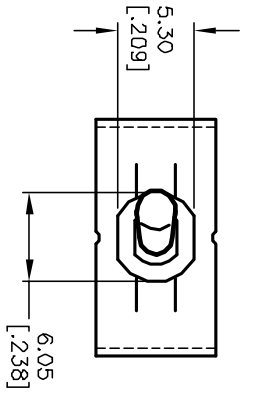
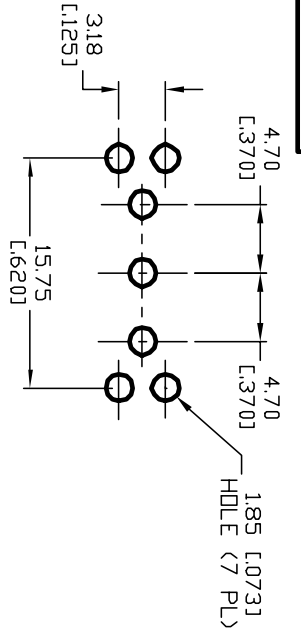
Click to view price, real time Inventory, Delivery & Lifecycle Information:

[E-Switch](#)
[100AWSP1T2B4VS2QE](#)

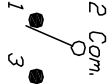
For any questions, you can email us directly:

sales@integrated-circuit.com

SHEET OF



RECOMMENDED P.C.B LAYOUT
 SCALE: 2X

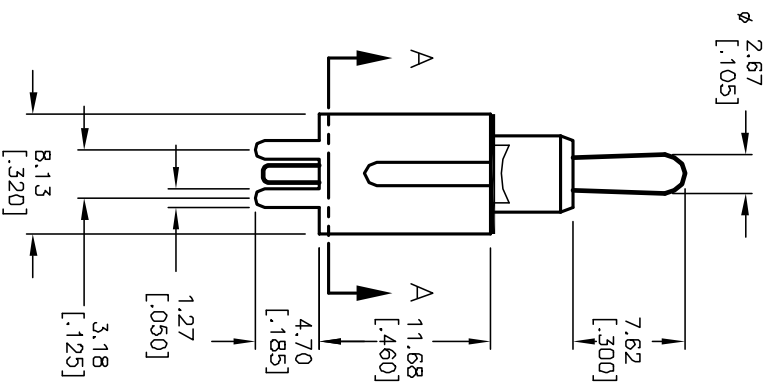
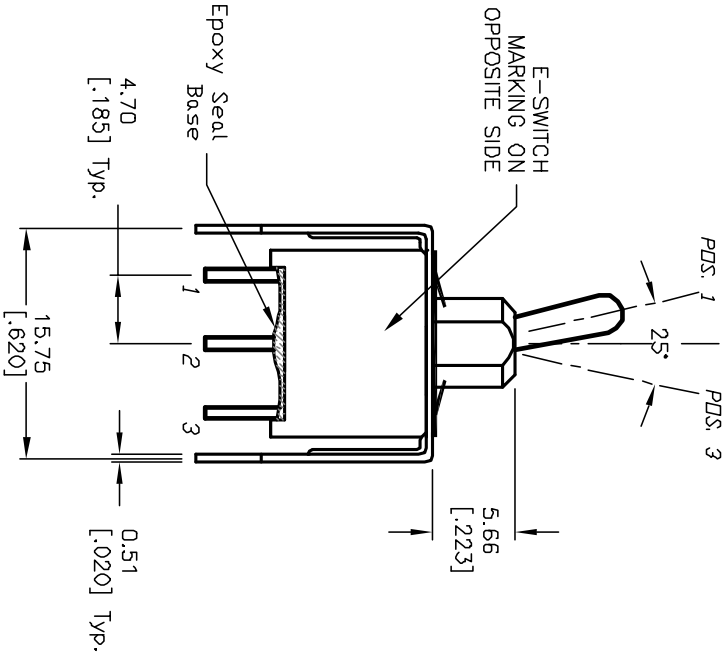


SPDT CIRCUIT
 CONTACT CONFIGURATION

SWITCH FUNCTION		
POS. 1	POS. 2	POS. 3
DN	NONE	DN
2-3	OPEN	2-1

NOTES:

1. ALL DIMENSIONS IN MM
2. GENERAL TOLERANCE: X.X=±0.4
X.XX=±0.25
3. TERMINAL NUMBERS FOR REF ONLY
4. RATING: 5A @120V AC or 2BVDC;
2A @250VAC
5. FIXED TERM. & MOVING CONTACT:
COPPER ALLOY w/Silver plate
6. ELECTRIC LIFE: 50,000 make-and-break cycles
at full load.
7. INSULATION RESISTANCE: 1,000 Mega-ohm min.
8. DIELECTRIC STRENGTH: 1,000 V RMS @sea level.
9. OPERATING TEMP.: -30°C to 85°C



E-SWITCH®

REV.	ECN No.	DESCRIPTION	DATE	CHKD
B	12221	REVISED AND REDRAWN	6/11/02	CB
		DESCRIPTION		CHKD

TITLE	SCALE	DATE	DR	DWG	REV
100A WSP-1 T2 B4 VS2 Q E	2:1	6/11/02	CB	T110013	B

THE INFORMATION CONTAINED IN THIS DOCUMENT IS PROPRIETARY TO E-SWITCH AND IS NOT TO BE COPIED OR TRANSMITTED