

## Excellent Integrated System Limited

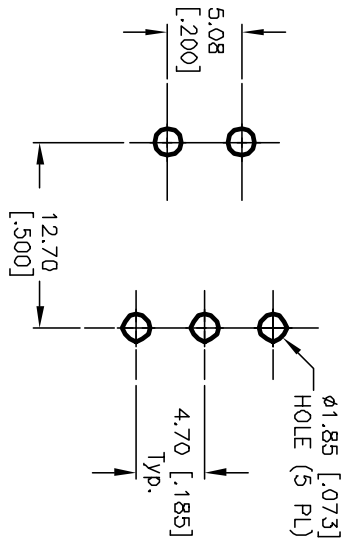
Stocking Distributor

Click to view price, real time Inventory, Delivery & Lifecycle Information:

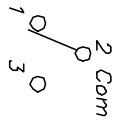
[E-Switch](#)  
[100AWSP3T1B4M6QE](#)

For any questions, you can email us directly:

[sales@integrated-circuit.com](mailto:sales@integrated-circuit.com)



RECOMMENDED P.C.B. LAYOUT

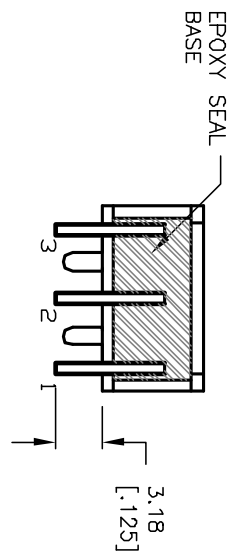
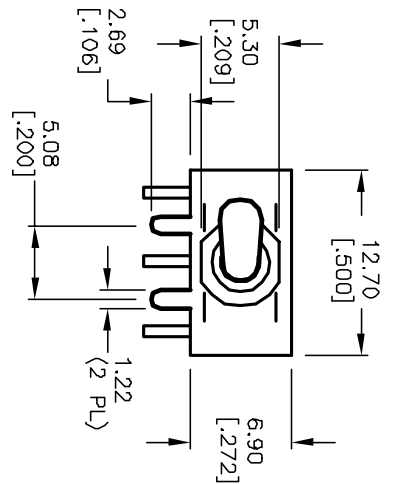


CIRCUIT: SPDT  
CONTACT CONFIGURATION

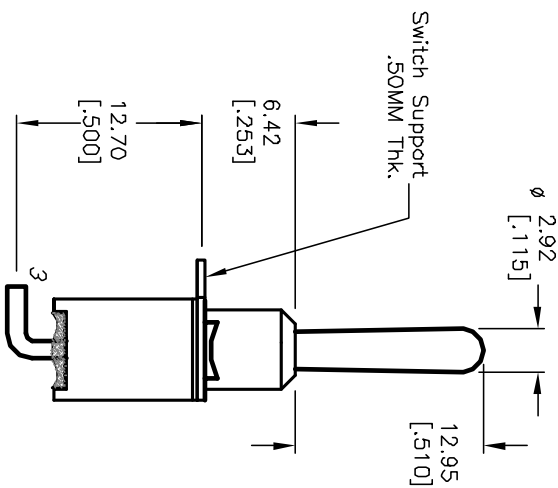
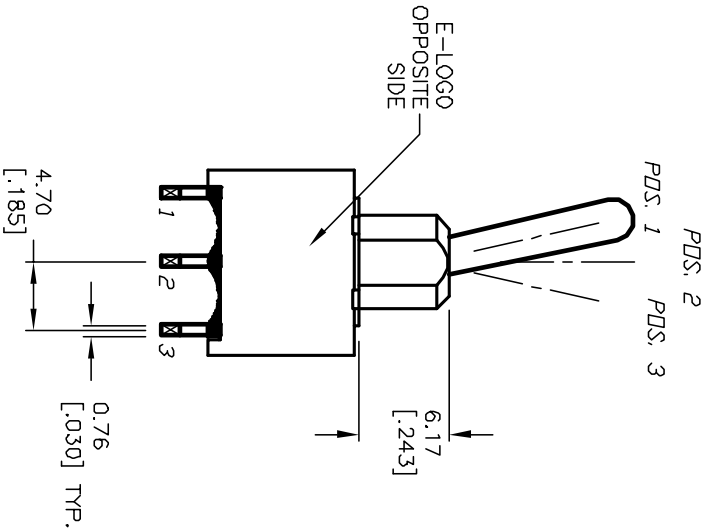
SWITCH FUNCTION			
PDS: 1	PDS: 2	PDS: 3	
DN	DN	DN	DN
DN	DN	DN	DN
2-3	DPEN	2-1	

NOTES:

1. ALL DIMENSIONS IN MM [INCH]
2. GENERAL TOLERANCE: X.X=±0.4  
X.XX=±0.25
3. TERM. NOS. FOR REF. ONLY
4. RATING: 5A @120VAC or 28VDC;  
2A @250VAC (Resistive Load)
5. FIXED TERM. & MOVING CONTACT:  
COPPER ALLOY W/SILVER PLATE.
6. ELECTRICAL LIFE: 40,000 make-and-break cycles  
at full load.
7. INSULATION RESISTANCE: 1,000M ohm min.
8. DIELECTRIC STRENGTH: 1,000V RMS @sea level.
9. OPERATING TEMP.: -30°C to +85°C.



REAR VIEW



**E-SWITCH®**

B	12490	REVISED NOTE 4 & 5	10/16/04	CJB
A	12403	RELEASED FOR PRODUCTION	9/4/02	CJB
REV.	ECN No.	DESCRIPTION	DATE	CHKD

TITLE		SCALE		DATE		DR		DWG		REV	
100A WSP-3 T1 B4 M6 Q E		2:1		9/4/02		CJB		T103005		B	

THE INFORMATION CONTAINED IN THIS DOCUMENT IS PROPRIETARY TO E-SWITCH AND IS NOT TO BE COPIED OR TRANSMITTED