

## Excellent Integrated System Limited

Stocking Distributor

Click to view price, real time Inventory, Delivery & Lifecycle Information:

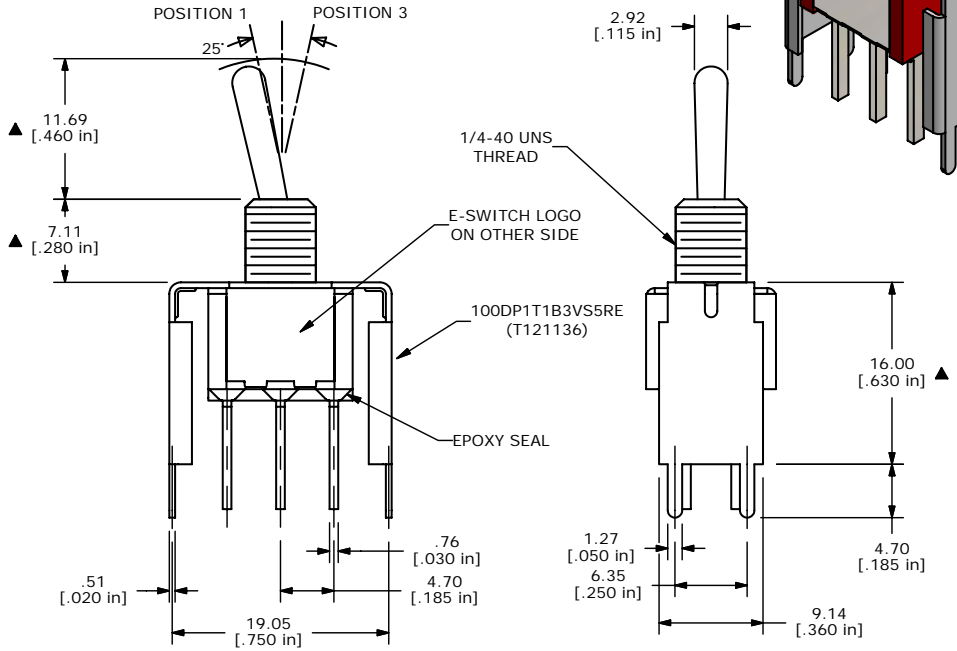
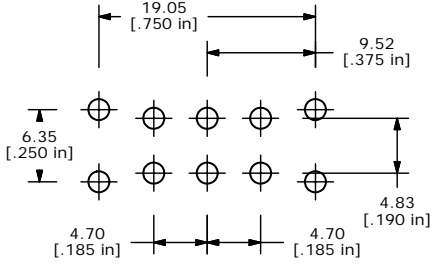
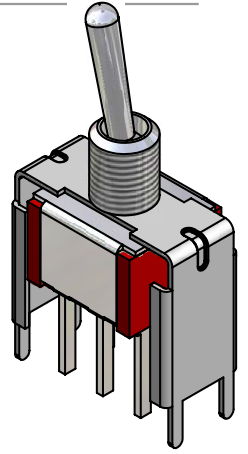
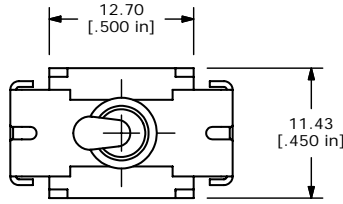
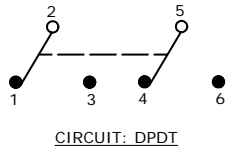
[E-Switch](#)  
[100DP1T1B3VS5REH](#)

For any questions, you can email us directly:

[sales@integrated-circuit.com](mailto:sales@integrated-circuit.com)

SHEET 1 OF 1

SWITCH FUNCTION		
POS. 1	POS. 2	POS. 3
ON	NONE	ON
2-3, 5-6	N/A	2-1, 5-4



- NOTES:
- ALL DIMENSIONS IN MM [INCH]
  - GENERAL TOLERANCE:  $x.x \pm 0.4$   
 $x.xx \pm 0.25$
  - TERM. NUMBERS FOR REFERENCE ONLY
  - RATING: 0.4VA @ 20V AC MAX.
  - FIXED TERM. & MOVING CONTACT: COPPER ALLOY W/GOLD PLATE OVER NICKEL PLATE
  - ELECTRICAL LIFE: 40,000 MAKE-AND BREAK CYCLES AT FULL LOAD
  - INSULATION RESISTANCE: 1,000M OHM MIN.
  - DIELECTRIC STRENGTH: 1000V RMS @ SEA LEVEL
  - OPERATING TEMP: -30°C to 85°C
  - ▲ DENOTES CRITICAL PARAMETER
  - 2002/95/EC (ROHS) COMPLIANT
  - HARDWARE TO BE SHIPPED BULK:  
 T100011 - LOCK WASHER, QTY 1  
 T100015 - LOCK RING, QTY 1  
 T100000 - HEX NUT, QTY 2



A	16078	NEW PART RELEASE	6/2/06	CT
REV	PCR NO	DESCRIPTION	DATE	BY

TITLE 100DP1T1B3VS5REH				
SCALE 2:1	DATE 6/2/2006	DR CT	DWG ST121136	REV A

THE INFORMATION CONTAINED IN THIS DOCUMENT IS PROPRIETARY TO E-SWITCH AND IS NOT TO BE COPIED OR TRANSFERRED