

## Excellent Integrated System Limited

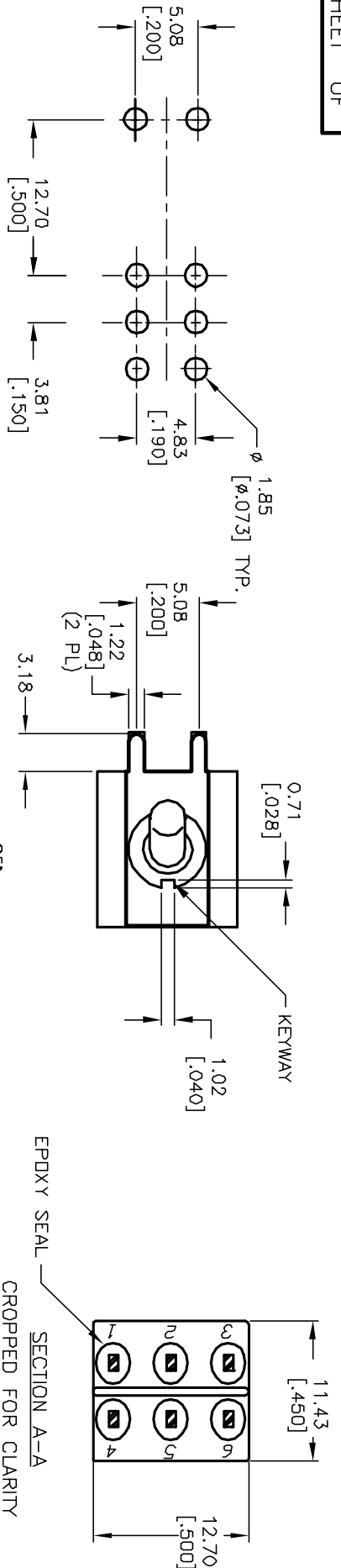
Stocking Distributor

Click to view price, real time Inventory, Delivery & Lifecycle Information:

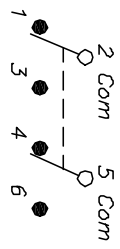
[E-Switch](#)  
[100DP1T1B4M7RE](#)

For any questions, you can email us directly:

[sales@integrated-circuit.com](mailto:sales@integrated-circuit.com)



RECOMMENDED P.C.B. LAYOUT

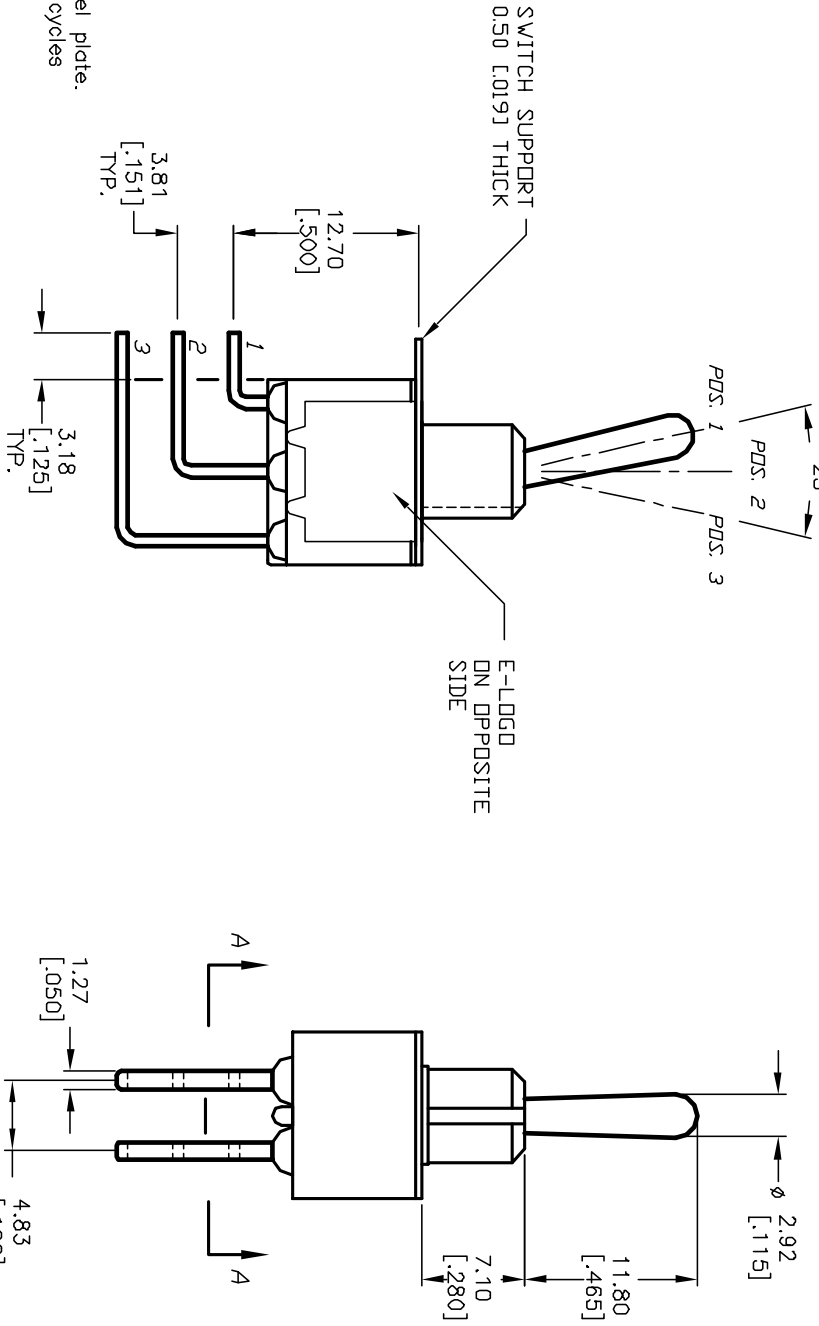


CIRCUIT: DPDT  
 CONTACT CONFIGURATION

SWITCH FUNCTION		
POS. 1	POS. 2	POS. 3
DN	NONE	DN
2-3-5-6	OPEN	2-1-5-4

NOTES:

1. ALL DIMENSIONS IN MM [INCH]
2. GENERAL TOLERANCE: X.X=±0.4 X.XX=±0.25
3. TERM. NOS. FOR REF. ONLY
4. RATING: 0.4VA @20V AC/DC max.
5. FIXED TERM. & MOVING CONTACT:  
Copper Alloy W/GOLD plate over Nickel plate.
6. ELECTRICAL LIFE: 50,000 make-and-break cycles at full load.
7. INSULATION RESISTANCE: 1,000M ohm min.
8. DIELECTRIC STRENGTH: 1,000V RMS @sea level.
9. OPERATING TEMP.: -30°C to +85°C.



REV. B	ECN No. 12005	REVISION AND REDRAWN	DATE 3/20/02	CHKD CJB	TITLE 100 DP-1 T1 B4 M7 R E (GOLD CONTACTS)	SCALE 2:1	DATE 3/20/02	DR CJB	DWG T121001	REV B
<p><b>E-SWITCH®</b></p> <p>THE INFORMATION CONTAINED IN THIS DOCUMENT IS PROPRIETARY TO E-SWITCH AND IS NOT TO BE COPIED OR TRANSMITTED</p>										