

Excellent Integrated System Limited

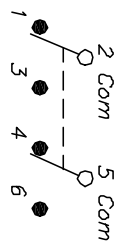
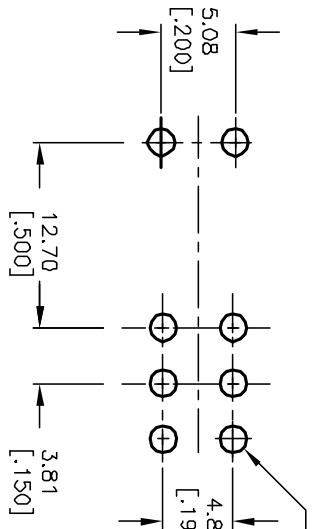
Stocking Distributor

Click to view price, real time Inventory, Delivery & Lifecycle Information:

[E-Switch](#)
[100DP3T2B2M7RE](#)

For any questions, you can email us directly:

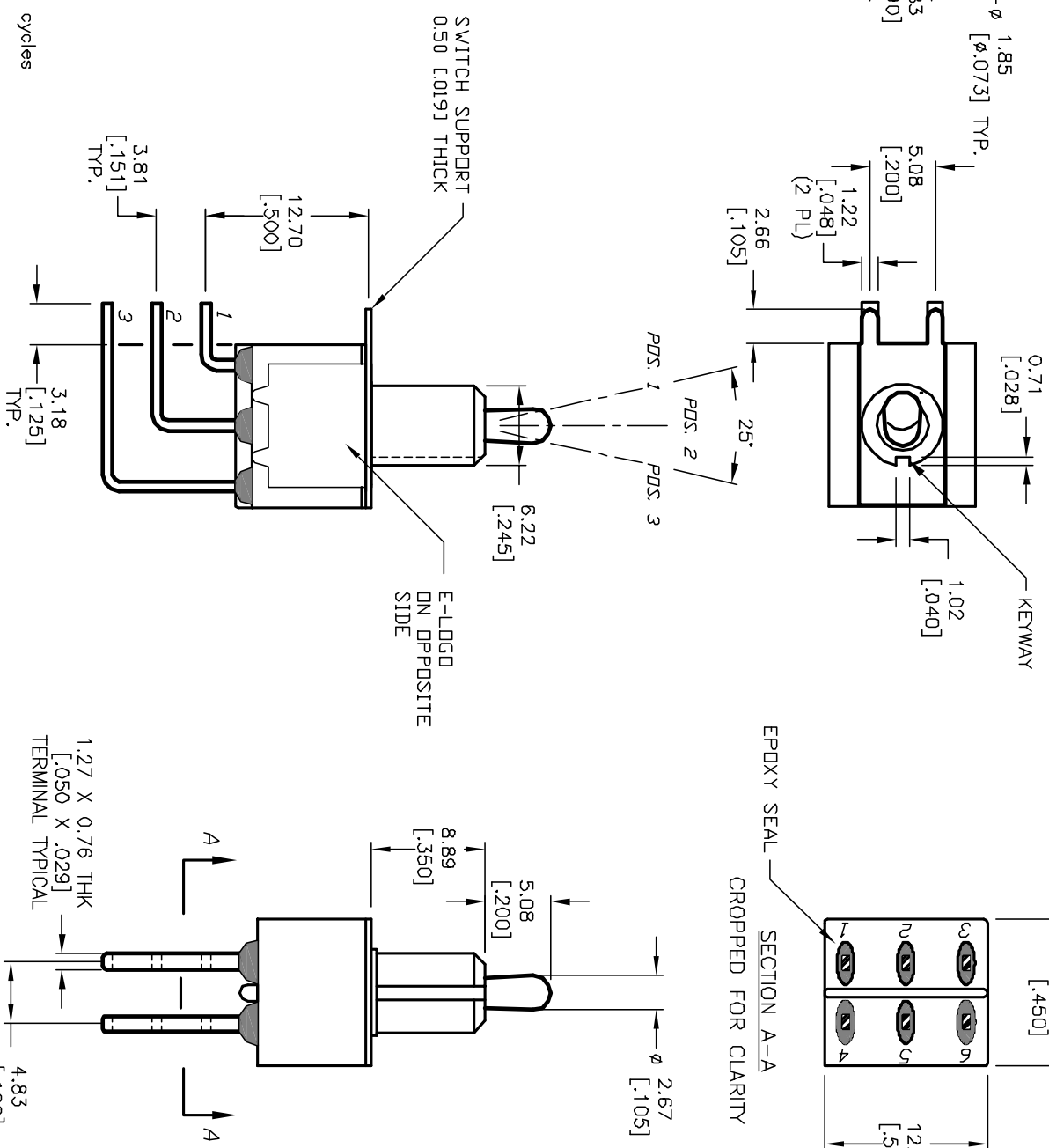
sales@integrated-circuit.com



SWITCH FUNCTION	POS. 1	POS. 2	POS. 3
DN	DN	OFF	DN
2-3-5-6	OPEN	2-1-5-4	

NOTES:

1. ALL DIMENSIONS IN MM [INCH]
2. GENERAL TOLERANCE: X.X=±0.4 X.XX=±0.25
3. TERM. NOS. FOR REF. ONLY
4. RATING: 0.4VA @20V AC/DC max.
5. FIXED TERM. & MOVING CONTACT:
Copper Alloy W/GOLD plate over Nickel plate.
6. ELECTRICAL LIFE: 50,000 make-and-break cycles at full load.
7. INSULATION RESISTANCE: 1,000M ohm min.
8. DIELECTRIC STRENGTH: 1,000V RMS @sea level.
9. OPERATING TEMP.: -30°C to +85°C.



REV.	ECN No.	DESCRIPTION	DATE	CHKD	SCALE	DATE	DR	DWG	REV
A	12500	RELEASED FOR PRODUCTION	10/22/02	CJB	2:1	10/22/02	CJB	T123211	A
TITLE: 100 DP-3 T2 B2 M7 R E (GOLD CONTACTS) THE INFORMATION CONTAINED IN THIS DOCUMENT IS PROPRIETARY TO E-SWITCH AND IS NOT TO BE COPIED OR TRANSMITTED									

E-SWITCH®