

Excellent Integrated System Limited

Stocking Distributor

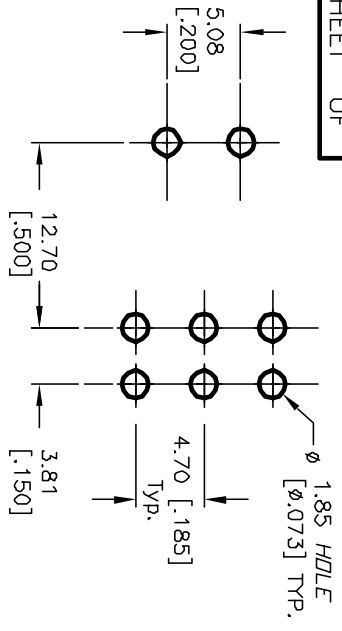
Click to view price, real time Inventory, Delivery & Lifecycle Information:

[E-Switch](#)
[100DP6T3B2M6RE](#)

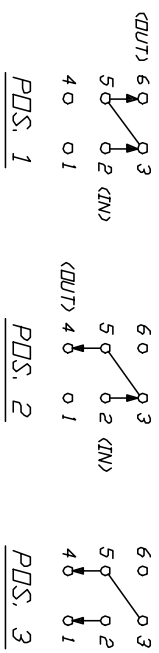
For any questions, you can email us directly:

sales@integrated-circuit.com

SHEET OF

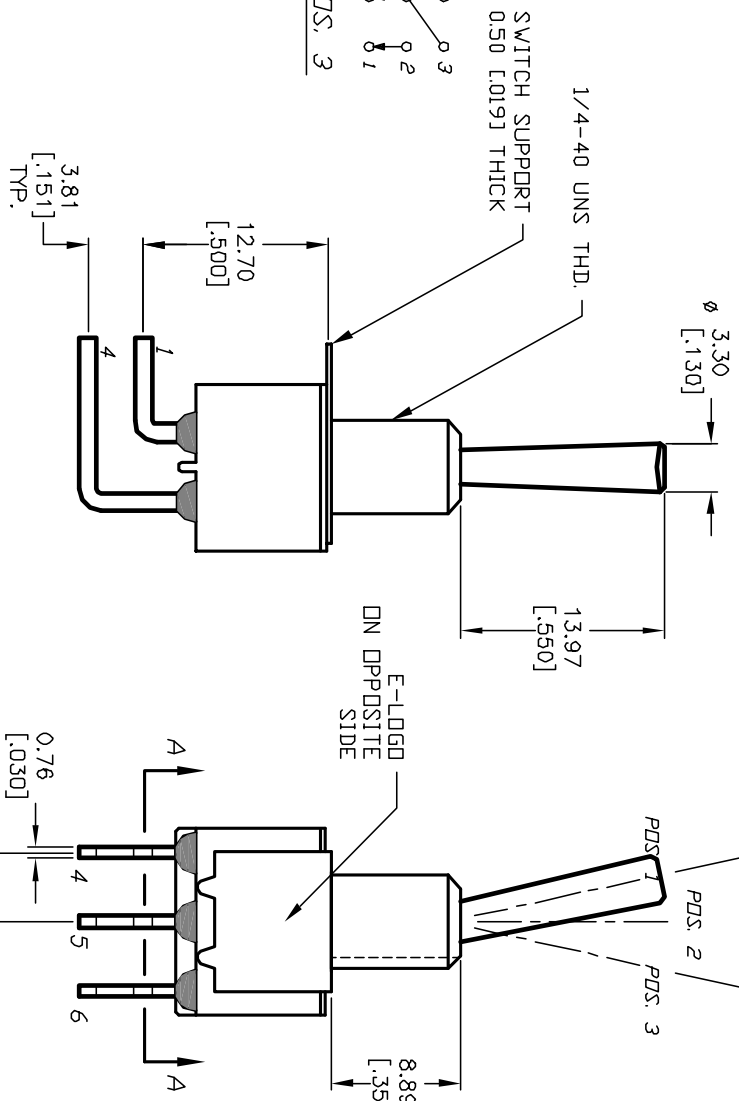
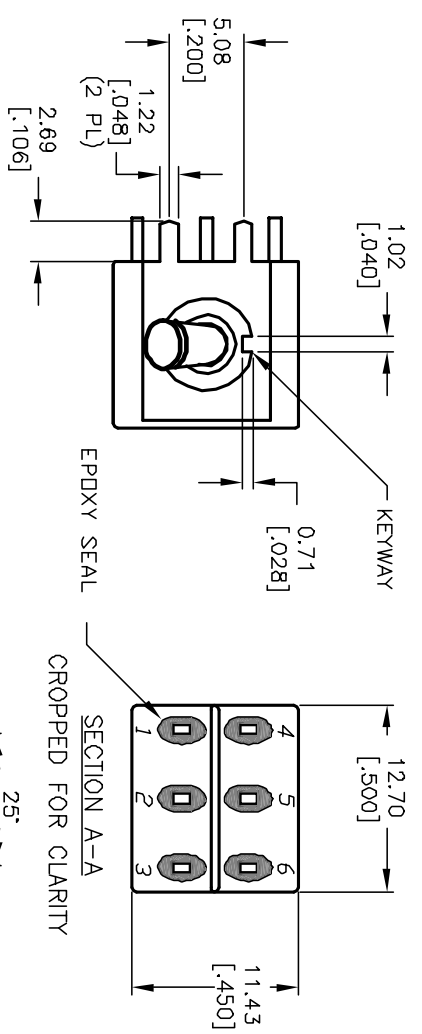


SWITCH FUNCTION		
PDS: 1	PDS: 2	PDS: 3
DN	DN	DN
2-3-5-6	2-3-5-4	2-1-5-4



NOTES:

1. ALL DIMENSIONS IN MM [INCH]
2. GENERAL TOLERANCE: X.X=±0.4 X.XX=±0.25
3. TERM. NOS. FOR REF. ONLY
4. RATING: 0.4VA @20V (AC or DC)
5. FIXED TERM. & MOVING CONTACT:
Copper Alloy W/Gold plate over Nickel plate.
6. ELECTRICAL LIFE: 50,000 make-and-break cycles at full load.
7. INSULATION RESISTANCE: 1,000M ohm min.
8. DIELECTRIC STRENGTH: 1,000V RMS @sea level.
9. OPERATING TEMP.: -30°C to +85°C.



E-SWITCH®

100 DP-6 T3 B2 M6 R E (GOLD CONTACTS)

REV.	ECN No.	RELEASED DESCRIPTION	DATE	CHKD
A	12850	RELEASED	2/27/03	CJB

TITLE	SCALE	DATE	DR	DWG	REV
100 DP-6 T3 B2 M6 R E (GOLD CONTACTS)	2:1	2/27/03	CJB	T126062	A

THE INFORMATION CONTAINED IN THIS DOCUMENT IS PROPRIETARY TO E-SWITCH AND IS NOT TO BE COPIED OR TRANSMITTED