

Excellent Integrated System Limited

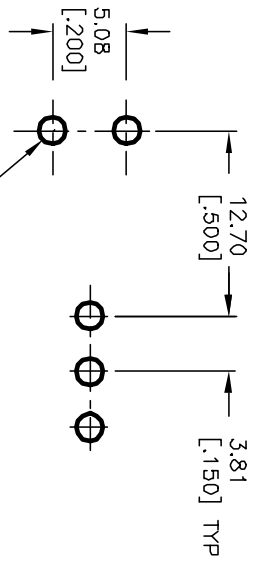
Stocking Distributor

Click to view price, real time Inventory, Delivery & Lifecycle Information:

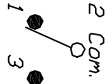
[E-Switch](#)
[100SP1T1B2M7RE](#)

For any questions, you can email us directly:

sales@integrated-circuit.com



RECOMMENDED PCB LAYOUT

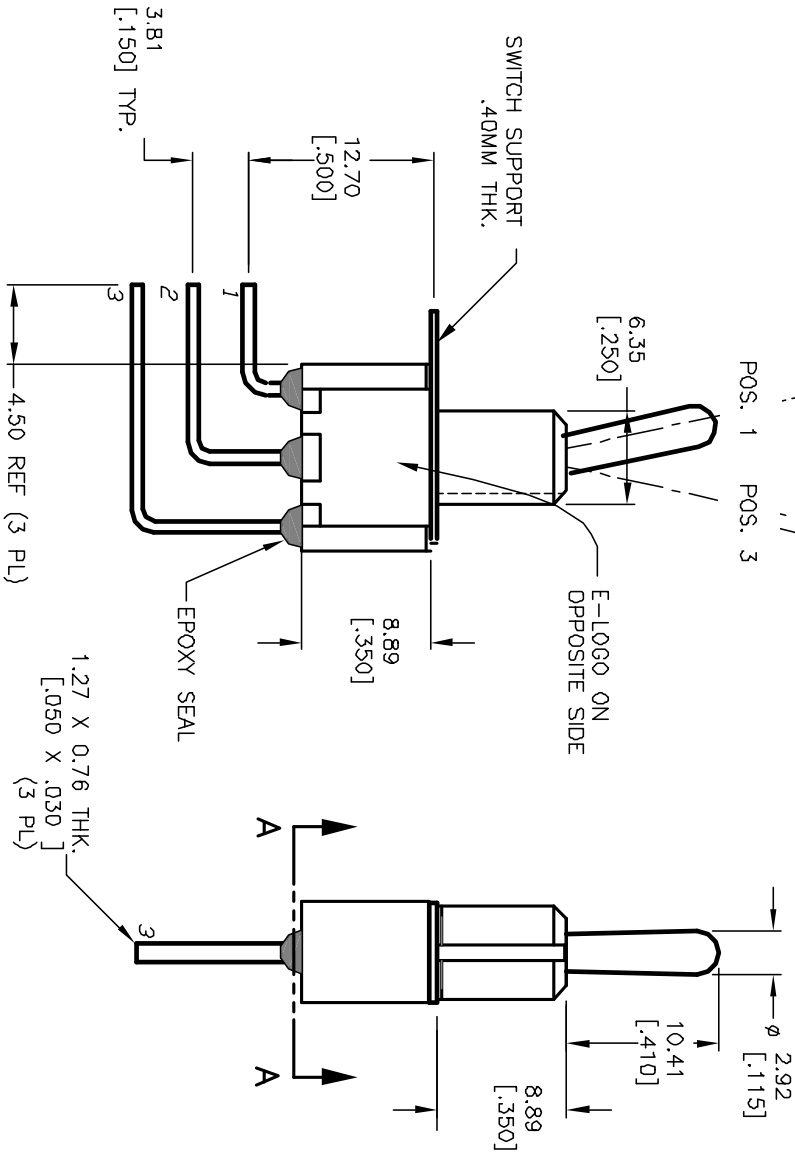
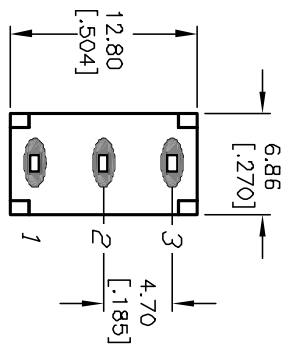
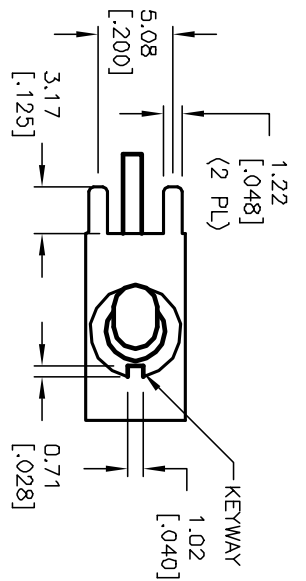


SPDT CIRCUIT CONTACT CONFIGURATION

SWITCH FUNCTION		
POS. 1	POS. 2	POS. 3
DN	NONE	DN
2-3	OPEN	2-1

NOTES:

1. ALL DIMENSIONS IN MM [INCH]
2. GENERAL TOLERANCE: X.X=±0.4 X.XX=±0.25
3. TERM. NOS. FOR REF. ONLY
4. RATING: 0.4(VA) @20V AC or DC max.
5. FIXED TERMINAL/MOVING CONTACT:
Copper Alloy W/GOLD plate over Nickel plate.
6. ELECTRICAL LIFE: 50,000 make--and--break cycles at full load.
7. INSULATION RESISTANCE: 1,000M ohm min.
8. DIELECTRIC STRENGTH: 1000V RMS @sea level
9. OPERATING TEMP.: -30°C to +85°C



REV. A	ECN No. --	RELEASED	10/10/02	CB	TITLE	100 SP-1 T1 B2 M7 R E (GOLD CONTACTS)	SCALE	2:1	DATE	--	DR	--	DWG	T111076	REV	A
THE INFORMATION CONTAINED IN THIS DOCUMENT IS PROPRIETARY TO E-SWITCH AND IS NOT TO BE COPIED OR TRANSMITTED																

