

Excellent Integrated System Limited

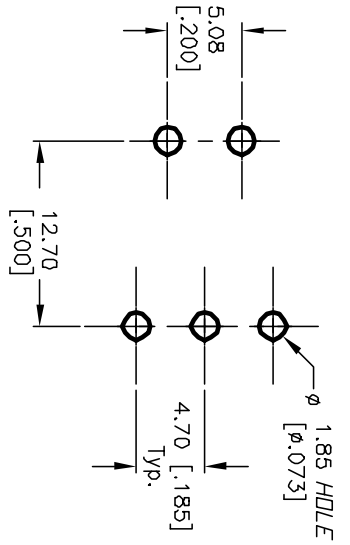
Stocking Distributor

Click to view price, real time Inventory, Delivery & Lifecycle Information:

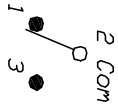
[E-Switch](#)
[100SP2T1B2M6QE](#)

For any questions, you can email us directly:

sales@integrated-circuit.com



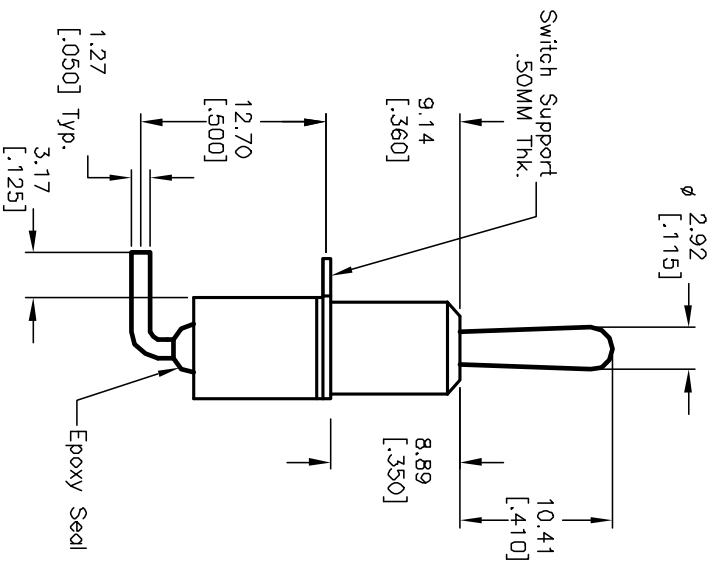
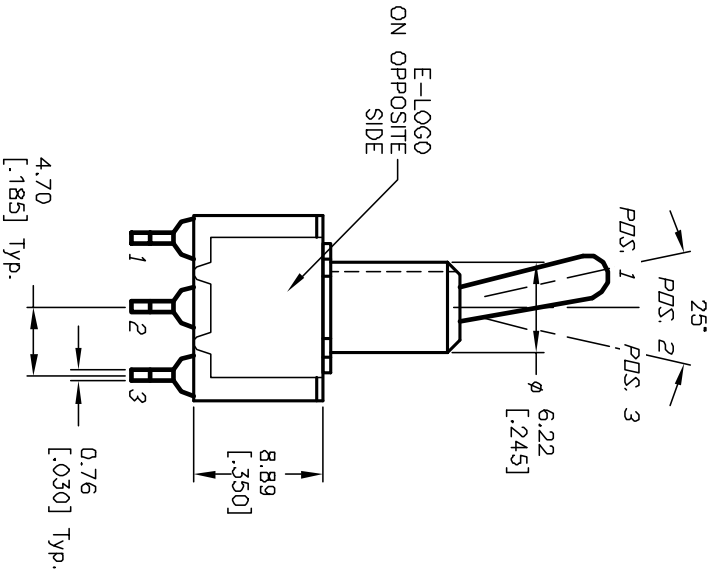
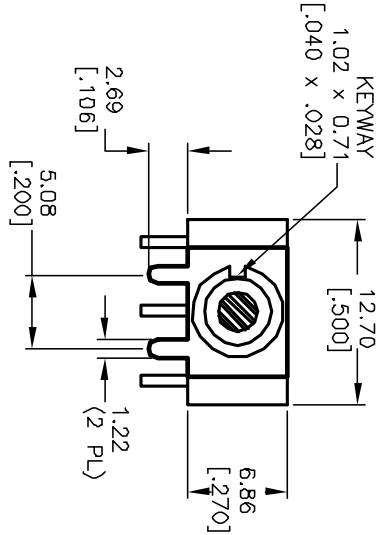
RECOMMENDED P.C.B. LAYOUT



SWITCH FUNCTION	POS. 1	POS. 2	POS. 3
DN	DN	NONE	DN
2-3	DPEN	DPEN	2-1

NOTES:

1. ALL DIMENSIONS IN MM [INCH]
2. GENERAL TOLERANCE: X.X=±0.4
X.XX=±0.25
3. TERM. NOS. FOR REF. ONLY
4. RATING: 5A @120VAC or 28VDC
2A @250VAC
5. FIXED TERM. & MOVING CONTACT:
Copper Alloy W/SILVER plate
6. ELECTRICAL LIFE: 50,000 make-and-break cycles
at full load.
7. INSULATION RESISTANCE: 1,000M ohm min.
8. DIELECTRIC STRENGTH: 1,000V RMS @sea level.
9. OPERATING TEMP.: -30°C to +85°C.



REV.	ECN No.	DESCRIPTION	DATE	CHKD
B	12046	REVISED AND REDRAWN	4/9/02	CJB

TITLE	SCALE	DATE	DR	DWG	REV
100 SP-2 T1 B2 M6 Q E	2:1	4/9/02	CJB	T112017	B

E-SWITCH®

THE INFORMATION CONTAINED IN THIS DOCUMENT IS PROPRIETARY TO E-SWITCH AND IS NOT TO BE COPIED OR TRANSMITTED