

## Excellent Integrated System Limited

Stocking Distributor

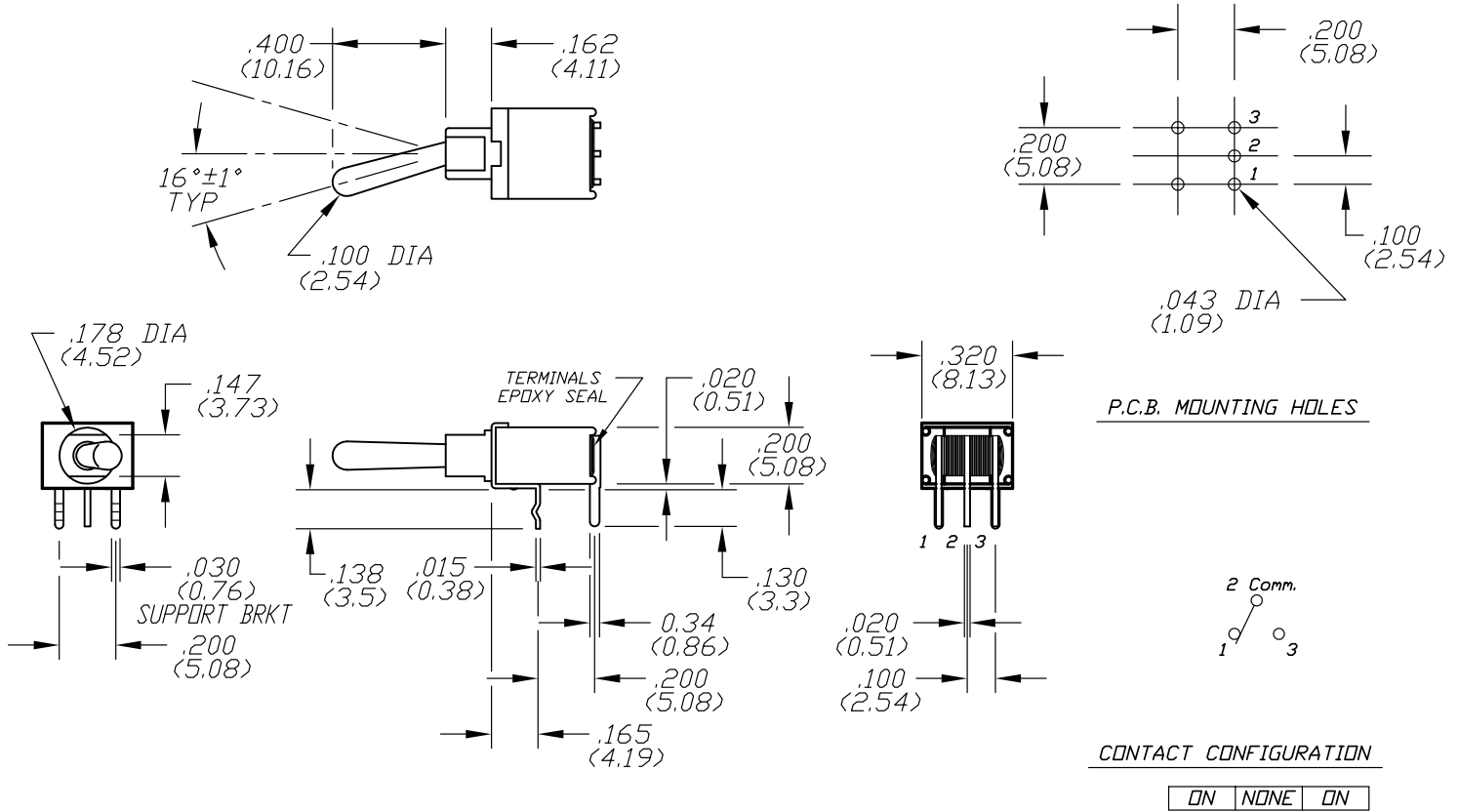
Click to view price, real time Inventory, Delivery & Lifecycle Information:

[E-Switch](#)  
[200AWMSP1T1A1M61RE](#)

For any questions, you can email us directly:

[sales@integrated-circuit.com](mailto:sales@integrated-circuit.com)

SHEET — 0F



NOTES:  
 1. ALL DIMENSIONS IN MM  
 2. TERM. NOS. FOR REF ONLY

				<b>E-SWITCH</b>				
				TITLE 200A WMSP-1 T1 A1 M61 R				
				SCALE	DATE	DR	DWG	REV
				2:1	12/27/94	MM	T201101	A
REV.	DESCRIPTION	DATE	CHKD	TOLERANCES ±0.4 ±0.25 0.0 0.00				
A	RELEASED FOR PRODUCTION			THE INFORMATION CONTAINED IN THIS DOCUMENT IS PROPRIETARY TO E-SWITCH AND IS NOT TO BE COPIED OR TRANSFERRED				