

Excellent Integrated System Limited

Stocking Distributor

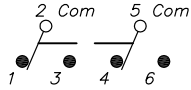
Click to view price, real time Inventory, Delivery & Lifecycle Information:

[E-Switch](#)
[200MDP1T1B1M7QE](#)

For any questions, you can email us directly:

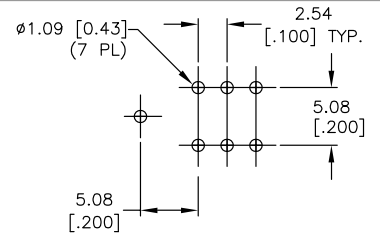
sales@integrated-circuit.com

SHEET 1 OF 1

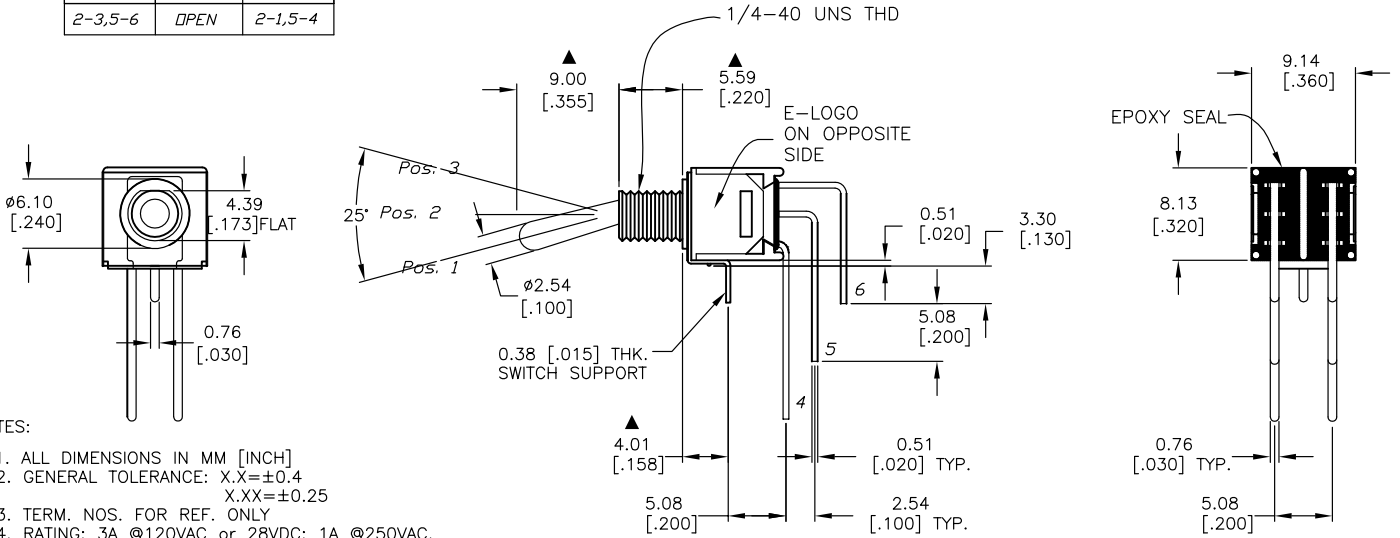


CIRCUIT: DPDT
 CONTACT CONFIGURATION

SWITCH FUNCTION		
POS. 1	POS. 2	POS. 3
ON	OFF	ON
2-3,5-6	OPEN	2-1,5-4



RECOMMENDED P.C.B. LAYOUT



NOTES:

1. ALL DIMENSIONS IN MM [INCH]
2. GENERAL TOLERANCE: X.X=±0.4
X.XX=±0.25
3. TERM. NOS. FOR REF. ONLY
4. RATING: 3A @120VAC or 28VDC; 1A @250VAC.
- ▲ 5. FIXED TERM. MOVING CONTACT:
Copper Alloy w/Silver plating
6. ELECTRICAL LIFE: 30,000 make-and-break cycle at full load.
7. DIELECTRIC STRENGTH: 1,000 V RMS @sea level.
8. CONTACT RESISTANCE: 20mILLI-Ohms max Initial @2-4VDC
9. OPERATING TEMP.: -30°C to 85°
10. ▲ DENOTES CRITICAL PARAMETER.

E-SWITCH®

A					14246	RELEASED FOR PRODUCTION	8/18/04	AR	TITLE		200MDP1T1B1M7QE										
REV.					ECN No.	DESCRIPTION	DATE	CHKD	SCALE		2:1	DATE		8/18/04	DR	AR	DWG		T221054	REV	A
THE INFORMATION CONTAINED IN THIS DOCUMENT IS PROPRIETARY TO E-SWITCH AND IS NOT TO BE COPIED OR TRANSFERRED																					