

Excellent Integrated System Limited

Stocking Distributor

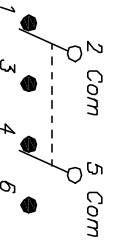
Click to view price, real time Inventory, Delivery & Lifecycle Information:

[E-Switch](#)
[200MDP1T1B4M7QE](#)

For any questions, you can email us directly:

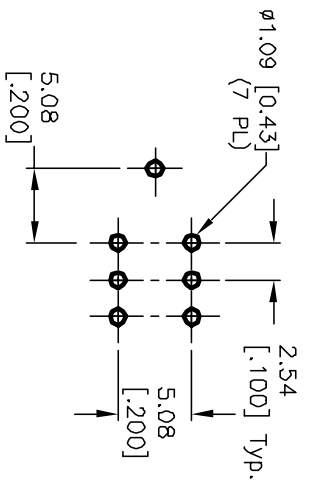
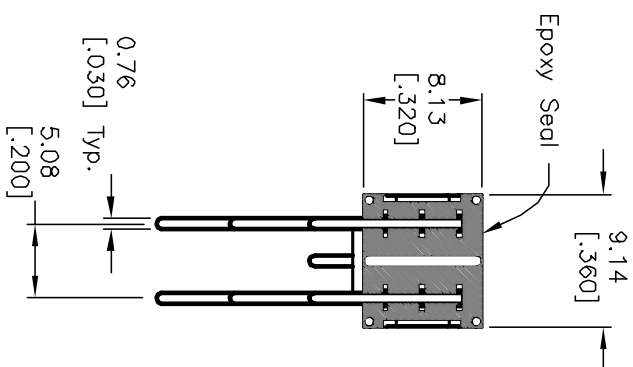
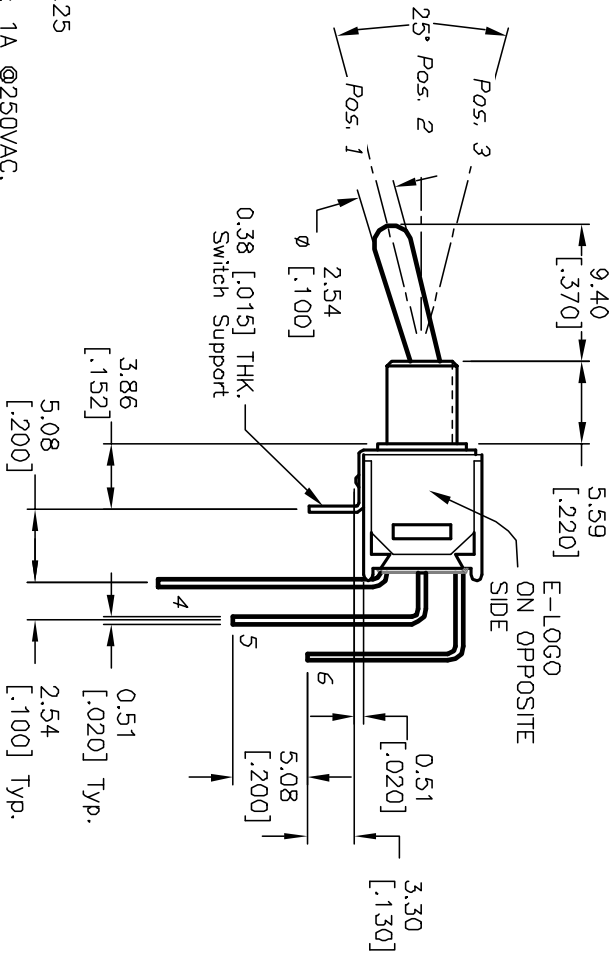
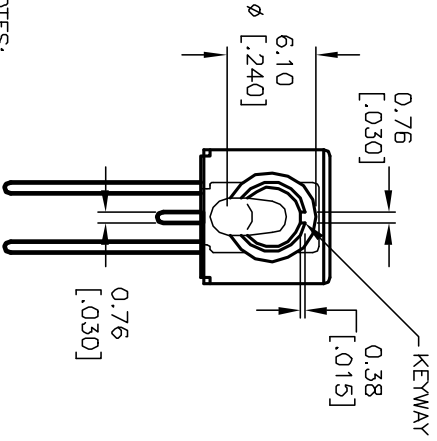
sales@integrated-circuit.com

SHEET OF



CIRCUIT: DPDT
 CONTACT CONFIGURATION

SWITCH FUNCTION		
POS. 1	POS. 2	POS. 3
DN	NONE	DN
2-3,5-6	OPEN	2-1,5-4



RECOMMENDED P.C.B. LAYOUT

NOTES:

1. ALL DIMENSIONS IN MM [INCH]
2. GENERAL TOLERANCE: X.X=±0.4
X.XX=±0.25
3. TERM. NOS. FOR REF. ONLY
4. RATING: 3A @120VAC or 28VDC, 1A @250VAC.
5. FIXED TERM. MOVING CONTACT:
Copper Alloy w/Silver plating
6. ELECTRICAL LIFE: 30,000 make-and-break cycle at full load.
7. DIELECTRIC STRENGTH: 1,000 V RMS @sea level.
8. CONTACT RESISTANCE: 20mILLI-Ohms max Initial @2-4VDC
9. OPERATING TEMP.: -30°C to 85°C

REV.	ECN No.	DESCRIPTION	DATE	CHKD
A	12266	RELEASED	6/22/01	CJB
				CHKD

TITLE	SCALE	DATE	DR	DWG	REV
200 MDP-1 T1 B4 M7 Q E	2:1	6/26/02	CJB	T221040	A

E-SWITCH®

THE INFORMATION CONTAINED IN THIS DOCUMENT IS PROPRIETARY TO E-SWITCH AND IS NOT TO BE COPIED OR TRANSMITTED