

## Excellent Integrated System Limited

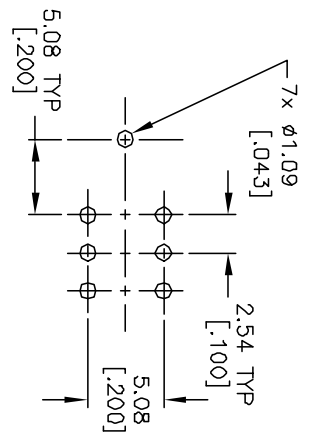
Stocking Distributor

Click to view price, real time Inventory, Delivery & Lifecycle Information:

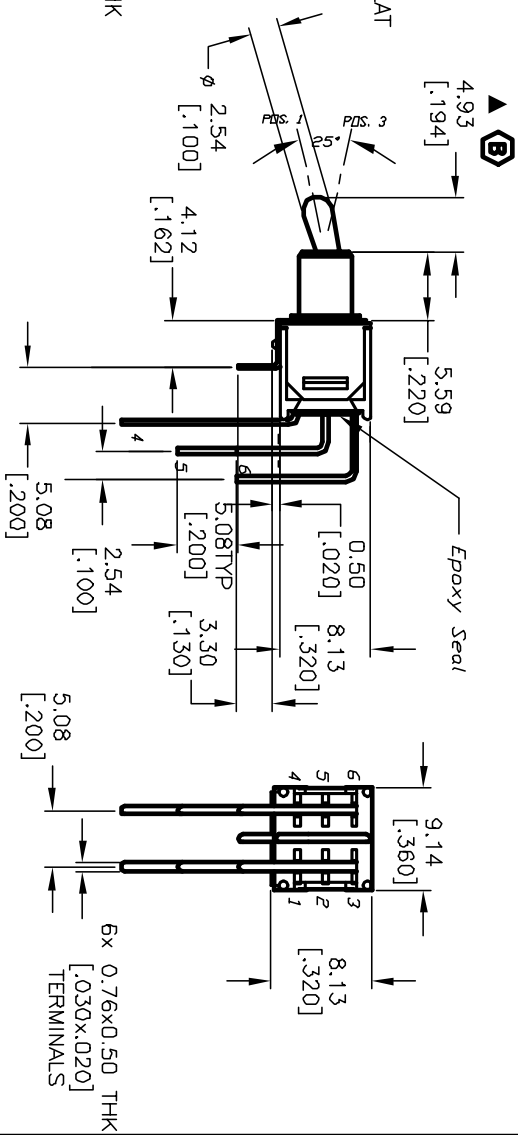
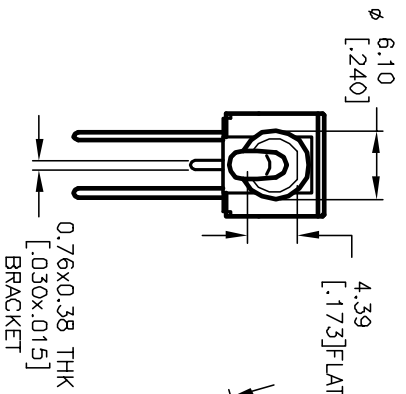
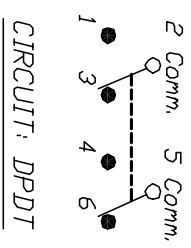
[E-Switch](#)  
[200MDP1T2B2M7QE](#)

For any questions, you can email us directly:

[sales@integrated-circuit.com](mailto:sales@integrated-circuit.com)



RECOMMENDED P.C.B. LAYOUT



CONTACT CONFIGURATION

SWITCH FUNCTION		
PDS. 1	PDS. 2	PDS. 3
DN	NONE	DN
2-3-5-6	DPEN	2-1-5-4

NOTES:

1. ALL DIMENSIONS IN MM [INCH]
2. GENERAL TOLERANCE: X.X=±0.4 X.XX=±0.25
3. TERM. NOS. FOR REFERENCE ONLY.
4. RATING: 3A@120V AC OR 28V DC, 1A@250V AC
5. CONTACT MATERIAL: COPPER ALLOY W/ SILVER PLATE
6. INSULATION RESISTANCE: 1,000 MEGOHM
7. ELECTRIC LIFE: 30,000 MAKE-AND-BREAK CYCLES AT FULL LOAD
8. OPERATING TEMP: -30°C TO 85°C

B	13198	4.93 WAS 5.33	6/10/03	AR
A	11800	RELEASED FOR PRODUCTION	10/29/01	CJC
REV.	ECN No.	DESCRIPTION	DATE	CHKD

TITLE		200 MDP1 T2 B2 M7 Q E	
SCALE	DATE	DR	DWG
1.5:1	10/29/01	CJC	T221032
REV		B	



THE INFORMATION CONTAINED IN THIS DOCUMENT IS PROPRIETARY TO E-SWITCH AND IS NOT TO BE COPIED OR TRANSMITTED