

Excellent Integrated System Limited

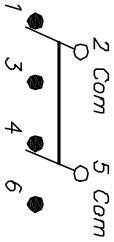
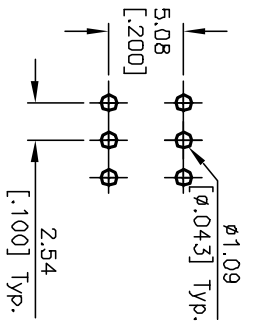
Stocking Distributor

Click to view price, real time Inventory, Delivery & Lifecycle Information:

[E-Switch](#)
[200MDP3T1B5M2RE](#)

For any questions, you can email us directly:

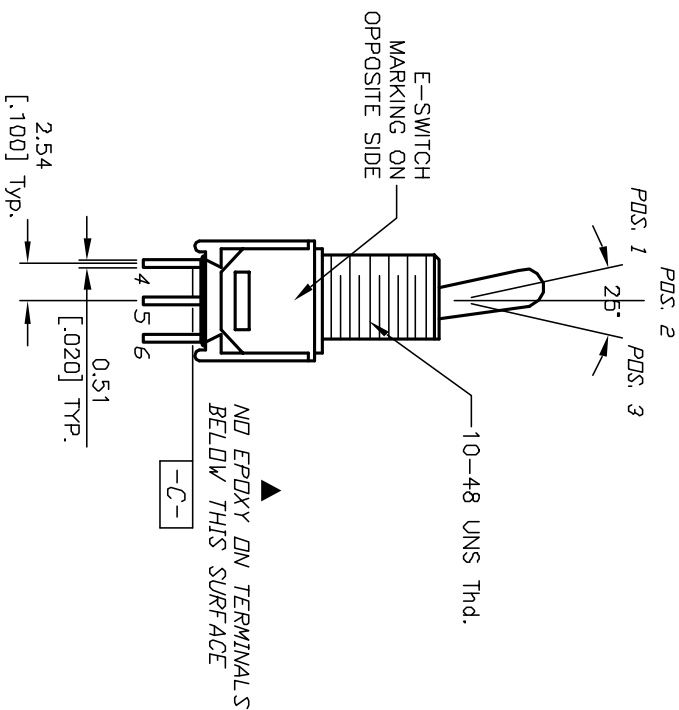
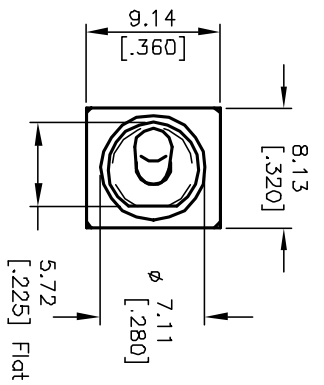
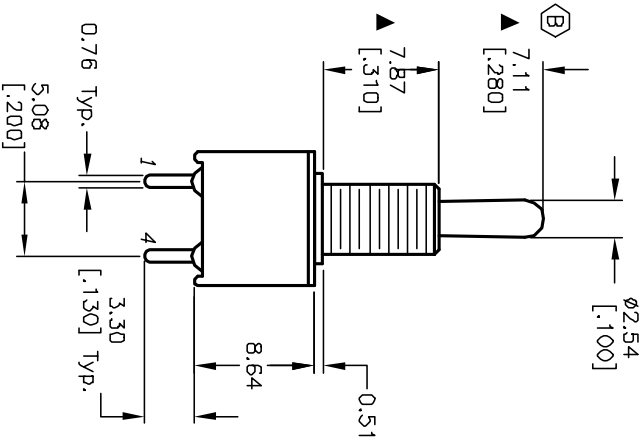
sales@integrated-circuit.com



| SWITCH FUNCTION | | |
|-----------------|--------|---------|
| POS. 1 | POS. 2 | POS. 3 |
| DN | OFF | DN |
| 2-3-5-6 | OPEN | 2-1-5-4 |

NOTES:

- ALL DIMENSIONS IN MM
- GENERAL TOLERANCE: X.X=±0.4
X.XX=±0.25
- TERM. NOS. FOR REF. ONLY
- CONTACT RATING: 0.4VA max. @20VAC or DC
- FIXED TERM./MOVING CONTACT:
COPPER ALLOY w/GOLD CONTACTS
- ELECTRIC LIFE: 30,000 mcke-and-break cycles at full load.
- INSULATION RESISTANCE: 1,000 M ohm min.
- DIELECTRIC STRENGTH: 1,000 V RMS @sea level.
- OPERATING TEMP.: -30°C to +85°C
- ▲ DENOTES CRITICAL PARAMETER.



| REV. | ECN NO. | DESCRIPTION | DATE | CHKD |
|------|---------|-------------------------|---------|------|
| B | 13199 | 7.11 WAS 9.31 | 6/10/03 | AR |
| A | 13149 | RELEASED FOR PRODUCTION | 5/23/03 | AR |

THE INFORMATION CONTAINED IN THIS DOCUMENT IS PROPRIETARY TO E-SWITCH AND IS NOT TO BE COPIED OR TRANSFERRED

TITLE

E-SWITCH®
200MDP3T1B5M2RE

SCALE

2:1

DATE

5/23/03

DR

AR

DWG

T211080

REV

B