

Excellent Integrated System Limited

Stocking Distributor

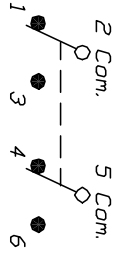
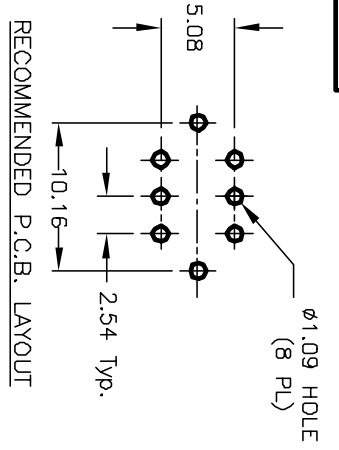
Click to view price, real time Inventory, Delivery & Lifecycle Information:

[E-Switch](#)
[200MDP3T1B6VS2RE](#)

For any questions, you can email us directly:

sales@integrated-circuit.com

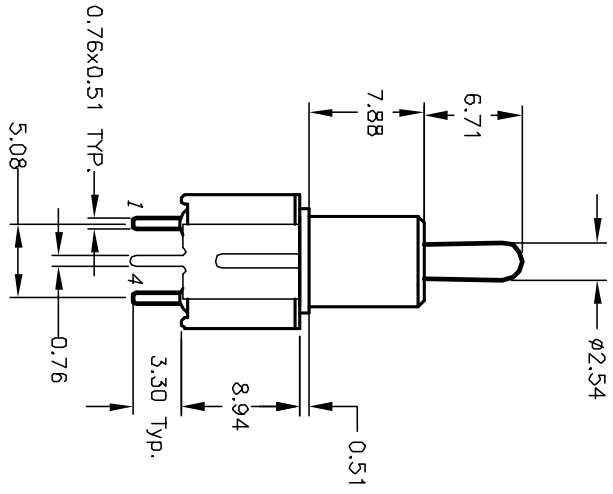
SHEET OF



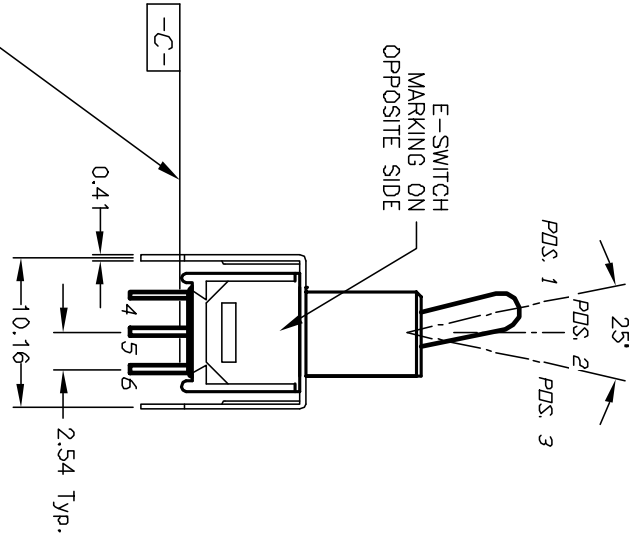
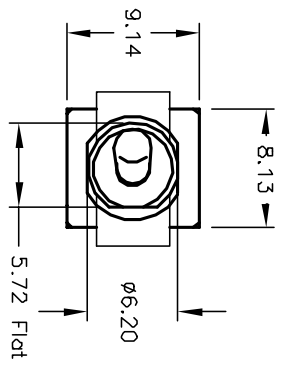
SWITCH FUNCTION		
POS. 1	POS. 2	POS. 3
DN	OFF	DN
2-3, 5-6	OPEN	2-1, 5-4

NOTES:

1. ALL DIMENSIONS IN MM
2. GENERAL TOLERANCE: X.X=±0.4
X.XX=±0.25
3. TERM. NOS. FOR REF. ONLY
4. CONTACT RATING: 0.4 (VA) max. @20 VAC or DC max.
5. FIXED TERMINAL & MOVING CONTACT: Cu alloy w/ Gold plate over Ni plate.
6. CONTACT RESISTANCE: 20 MILLI OHM initial @2-4VDC 100mA for Ag & Au at full load.
7. ELECTRIC LIFE: 30,000 make-and-break cycles
8. INSULATION RESISTANCE: 1,000 M ohm min.
9. DIELECTRIC STRENGTH: 1,000 V RMS @sea level.
10. OPERATING TEMP.: -30°C to 85°C



▲ NO EPOXY ON TERM. BELOW THIS SURFACE



REV. A	ECN No. 11591	RELEASED FOR PRODUCTION	8/2/01	CJB
		DESCRIPTION	DATE	CHKD

TITLE	SCALE	DATE	DR	DWG	REV
200 MDP-3 T1 B6 VS2 R E	2:1	8/2/01	CJB	T201231	A

E-SWITCH®

THE INFORMATION CONTAINED IN THIS DOCUMENT IS PROPRIETARY TO E-SWITCH AND IS NOT TO BE COPIED OR TRANSMITTED