

## Excellent Integrated System Limited

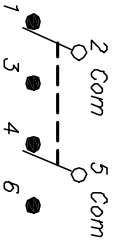
Stocking Distributor

Click to view price, real time Inventory, Delivery & Lifecycle Information:

[E-Switch](#)  
[200MDP3T2B1M6RE](#)

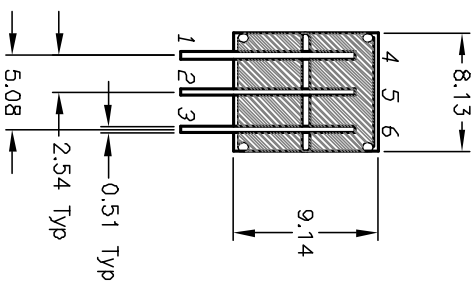
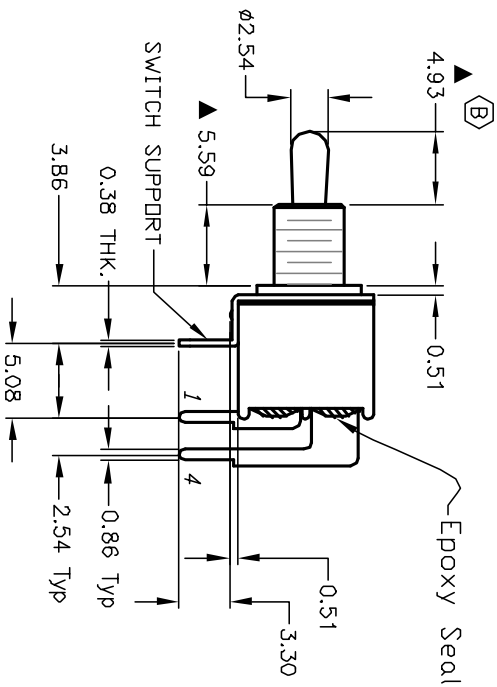
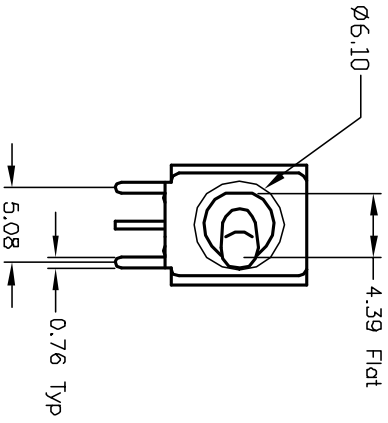
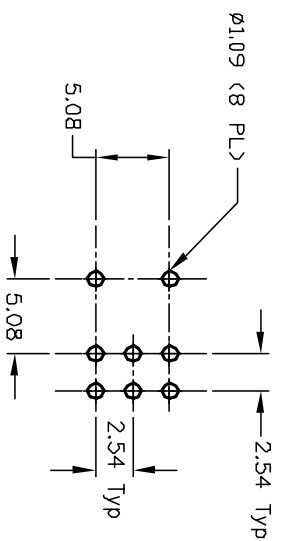
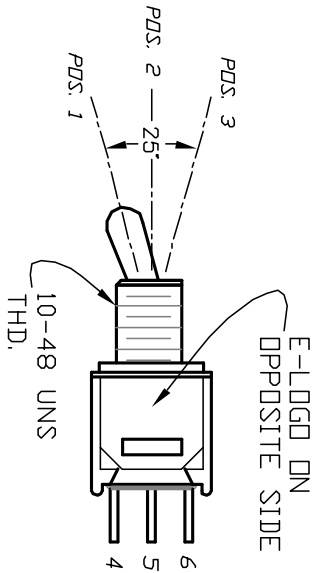
For any questions, you can email us directly:

[sales@integrated-circuit.com](mailto:sales@integrated-circuit.com)



CIRCUIT: DPDT

SWITCH FUNCTION		
POS. 1	POS. 2	POS. 3
DN	DFP	DN
2-3,5-6	DPEN	2-1,5-4



- NOTES:
1. ALL DIMENSIONS IN MM
  2. GENERAL TOLERANCE: 0.0 $\pm$ 0.4  
0.00 $\pm$ 0.25
  3. TERM. NDS. FOR REF. ONLY
  4. CONTACT RATING: 0.4 (VA) max. @20 VAC or DC max.
  5. FIXED TERMINAL & MOVING CONTACT: Cu alloy w/ Au plate over Ni plate.
  6. ELECTRIC LIFE: 30,000 make-and-break cycles at full load.
  7. INSULATION RESISTANCE: 1,000 M ohm min.
  8. DIELECTRIC STRENGTH: 1,000 V RMS @sea level.
  9. OPERATING TEMP.: -30°C to 85°C
  10. ▲ DENOTES CRITICAL PARAMETER.

REV.	ECN NO.	DESCRIPTION	DATE	CHKD
B	13198	4.93 WAS 5.33	6/10/03	AR
A	13150	RELEASED FOR PRODUCTION	5/23/03	AR

THE INFORMATION CONTAINED IN THIS DOCUMENT IS PROPRIETARY TO E-SWITCH AND IS NOT TO BE COPIED OR TRANSFERRED

**E-SWITCH®**

200MDP3T2B1M6RE

TITLE	SCALE	DATE	DR	DWG	REV
200MDP3T2B1M6RE	2:1	5/23/03	AR	T221006	B