

Excellent Integrated System Limited

Stocking Distributor

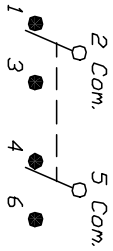
Click to view price, real time Inventory, Delivery & Lifecycle Information:

[E-Switch](#)
[200MDP3T4B3M1QE](#)

For any questions, you can email us directly:

sales@integrated-circuit.com

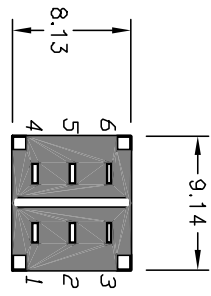
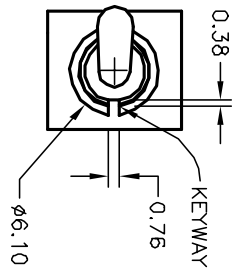
SWITCH FUNCTION		
POS. 1	POS. 2	POS. 3
DN	OFF	DN
2-3,5-6	OPEN	2-1,5-4



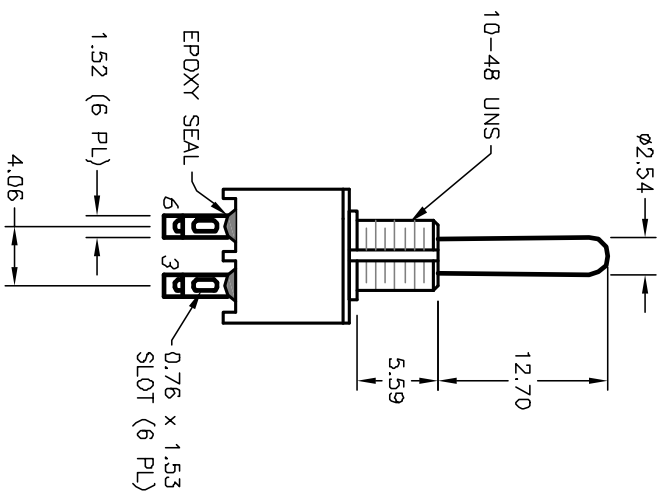
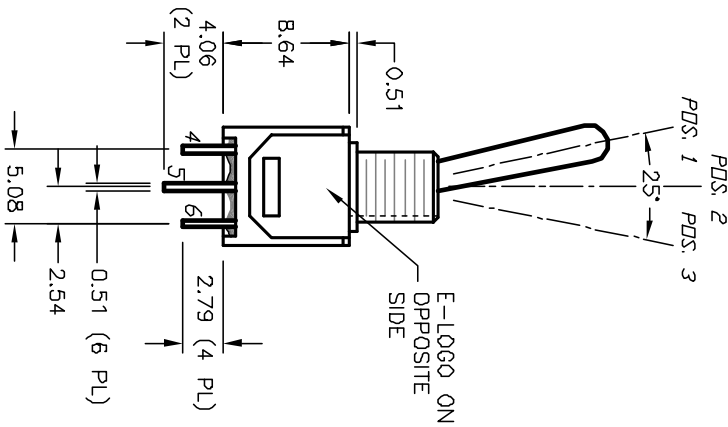
CIRCUIT, DPDT

NOTES:

1. ALL DIMENSIONS IN MM
2. GENERAL TOLERANCE: X.X=±0.4
X.XX=±0.25
3. TERMINAL NUMBERS FOR REF ONLY
4. RATING: 3 AMPS @ 120VAC OR 28VDC;
1 AMP @ 250VAC
5. ELECTRICAL LIFE: 30,000 make-and-break cycles
at full load.
6. INSULATION RESISTANCE: 1,000 Mega-ohm min.
7. DIELECTRIC STRENGTH: 1,000 V RMS @sea level.
8. CONTACT RESISTANCE: 20mILLI-ohms max. Typical
Initial @2-4VDC
9. OPERATING TEMP.: -30°C to 85°C



BOTTOM VIEW



E-SWITCH®

REV. A	ECN No. 12267	RELEASED FOR PRODUCTION	DATE 6/26/02	CHKD CJB
		DESCRIPTION DE-SCRIPTION		
THE INFORMATION CONTAINED IN THIS DOCUMENT IS PROPRIETARY TO E-SWITCH AND IS NOT TO BE COPIED OR TRANSMITTED				

TITLE	SCALE	DATE	DR	DWG	REV
200 MDP3 T4 B3 M1 Q E	2:1	6/26/02	CJB	T201225	A